

Cicada

Furniture for the Curious



Cicada

An economical, wrap screen designed for use with our height adjustable desks.

Cicada features acoustic PET, providing effective visual separation and sound reduction in busy environments.



With its versatile design, Cicada can be easily adjusted to fit a range of workpoint sizes, ensuring privacy and functionality in any workspace setup.



- 01 Screen Panel - available in U-shape
- 02 Screen Panel - available in L-shape
- 03 Screen Panel - available in Dark Grey and Light Grey or customer specified 12mm acoustic panel

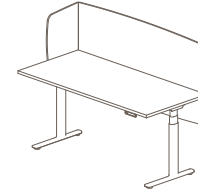
- 04 Screen Brackets - available in standard finish
- 05 Screen Brackets - available in premium finish



Cicada

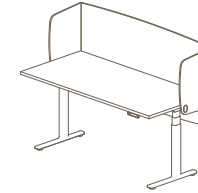
L-Shape Screen

6



U-Shape Screen

7



A minimalist line drawing of a desk and chair. The desk is on the left, and a chair is on the right. A rectangular sign is attached to the front of the chair. The word "Cicada" is written in a bold, sans-serif font across the sign.

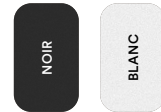
Cicada

Cicada

PET Screen Finishes

1. Screen Bracket Standard Finishes

Our screen mounts are available in Noir and Blanc powdercoat to match desk frame



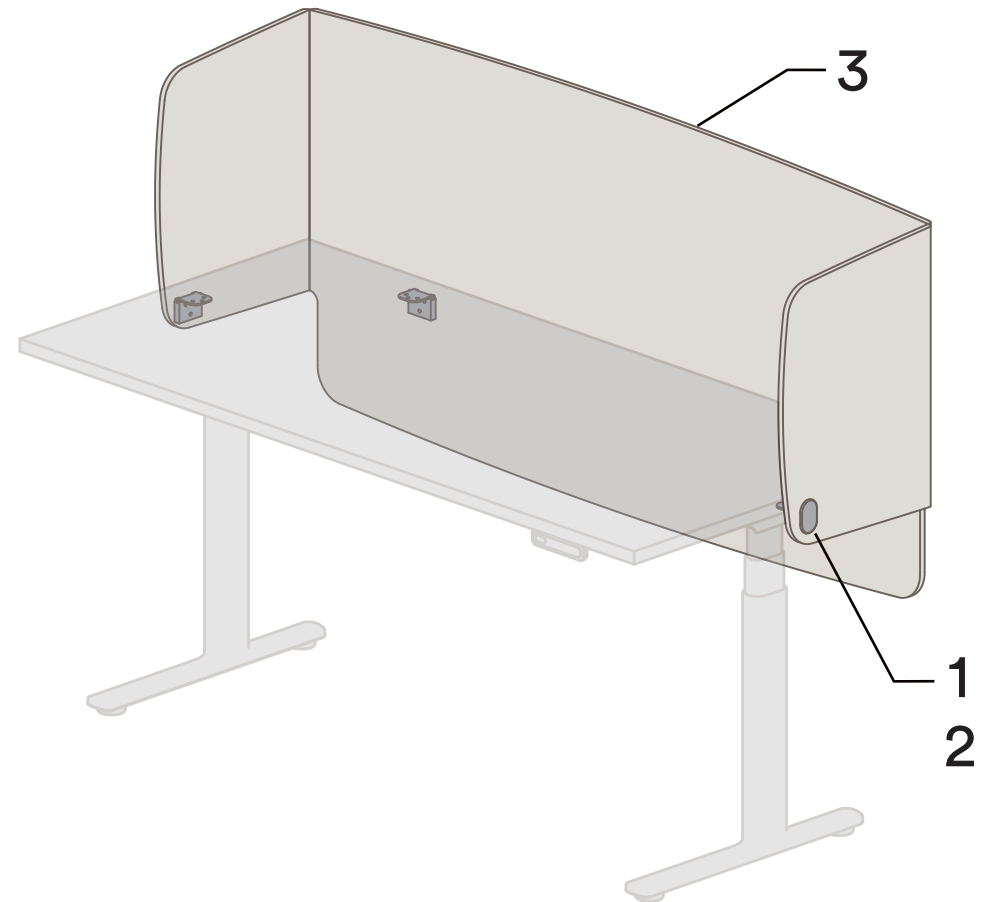
2. Screen Bracket Premium Finishes

We offer screen brackets in our current season powder coat colours.



3. 12mm PET Screen

Cicada PET Screen is available in Dark Grey and Light Grey or customer specified 12mm acoustic panel



Colours are representative only, please check with your Thinking Works consultant to view samples of any specific colour.

Cicada L-Shape PET Screen

Materials Information

12mm PET Screen Acoustic Panel

- a. Light Grey PET
- b. Dark Grey PET
- c. Customer specified PET

Screen Mounts

Powdercoat Aluminium Screen Mount

- a. Noir
- b. Blanc
- c. Seasonal Powdercoat

Compatibility:

Single-sided Workstations:
85 / 300mm Modesty

Double-sided Workstations:
85mm Modesty

*Note:

Screen can be flush to rear edge or with 20mm gap.

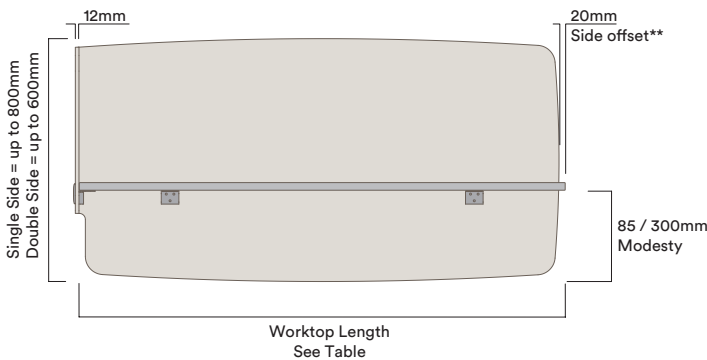
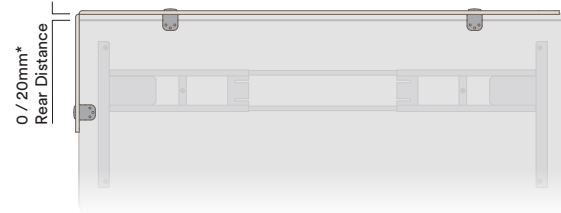
LHS return version shown. Screen can be made as RHS return.

NOT compatible with shark nose edges.

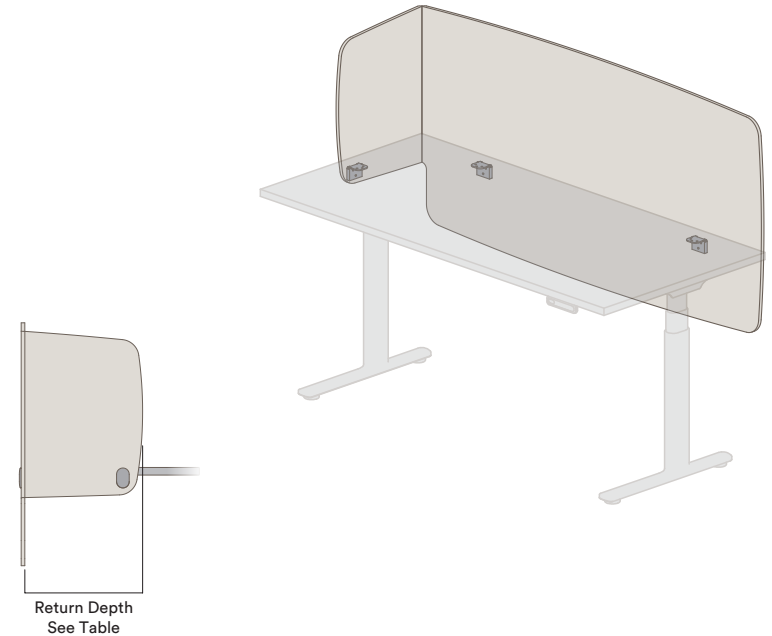
**Note:

For custom side offset please consult your Thinking Works representative.

NWS-L Series



Worktop Mounted - L-Shape - 12mm PET Screen



		Worktop Length (mm)				
		1200	1400	1600	1800	2000
Return Depth (mm)	300	•	•	•	•	•
	400	•	•	•	•	•
	500	•	•	•	•	—
	600	•	•	•	•	—

Cicada U-Shape PET Screen

Materials Information

12mm PET Screen Acoustic Panel

- a. Light Grey PET
- b. Dark Grey PET
- c. Customer specified PET

Screen Mounts

Powdercoat Aluminium Screen Mount

- a. Noir
- b. Blanc
- c. Seasonal Powdercoat

Compatibility:

Single-sided Workstations:
85 / 300mm Modesty

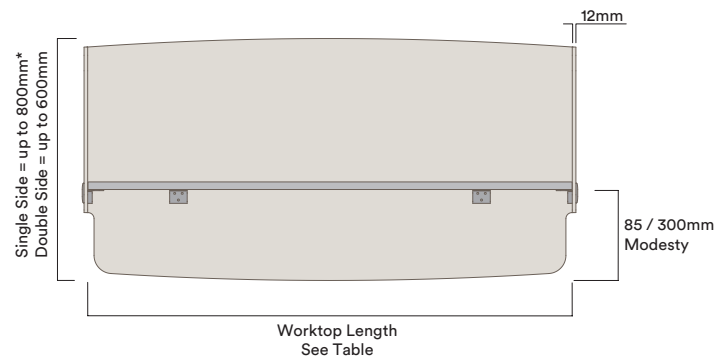
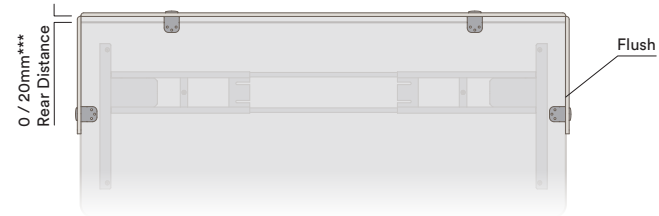
Double-sided Workstations:
85mm Modesty

*Note:

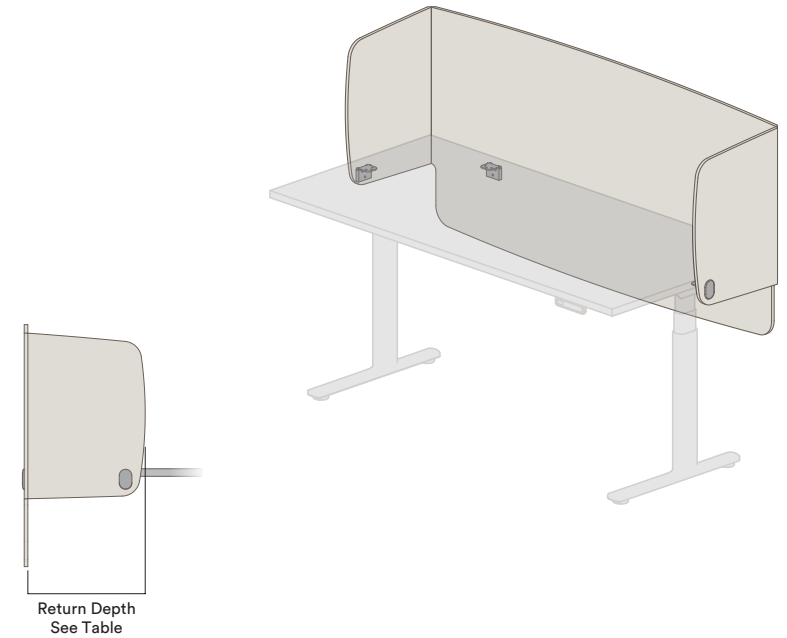
Screen can be flush to rear edge or with 20mm gap.

NOT compatible with shark nose edges.

NWS-U Series



Worktop Mounted - U-Shape - 12mm PET Screen



		Worktop Length (mm)			
		1200	1400	1600	1800
Return Depth (mm)	300	•	•	•	•
	400	•	•	•	—
	500	•	•	—	—
	600	•	—	—	—



Specification

If you would like a sample set of any of our finishes, please call us on 61 (0)2 9726 7177 or e-mail at sales@thinkingw.com.

Due to our policy of continuous product development, specifications and finishes may change without prior notice.

Sustainability Policy

We realise the importance of responsible business practices and have in place numerous product and company sustainability certifications. We would encourage you to download our annual Sustainability Report from the Thinking Works website to get a full overview of our sustainability program.

Thinking Works
© Copyright 2024
All right reserved

Thinking Works
15-23 Helles Avenue
Moorebank
New South Wales 2170

www.thinkingw.com
61 (0)2 9726 7177
sales@thinkingw.com



Cicada

Sustainability Policy

We realise the importance of responsible business practices and have in place numerous product and company sustainability certifications. We would encourage you to download our annual Sustainability Report from the ThinkingWorks website to get a full overview of our sustainability program.

Thinking Works

© Copyright 2024
All Rights Reserved

Head Office

15-23 Helles Avenue, Moorebank
New South Wales 2170, Australia
P: +61 (0)2 9726 7177
F: +61 (0)2 9726 7188
sales@thinkingw.com

www.thinkingw.com

Furniture for the Curious