



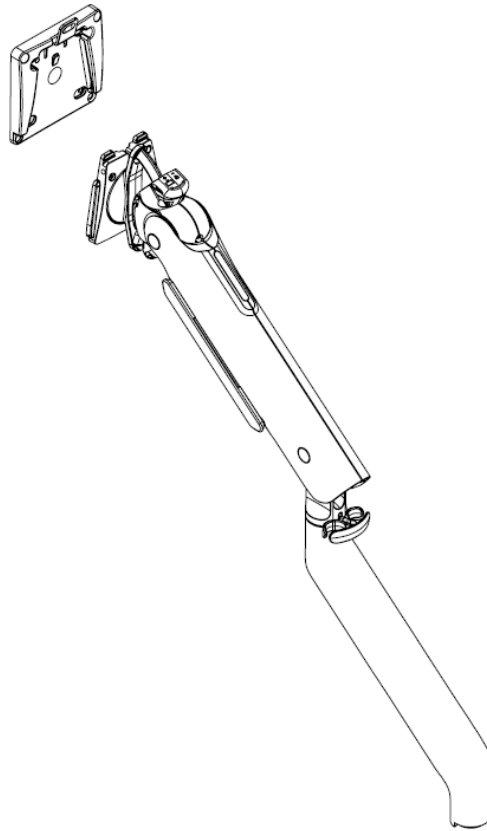
TECHNICAL SPECIFICATION SHEET

Flo X Monitor Arm

PRODUCT CODE: FLX/018/010

Doc Rev 2

04.11.22 KO



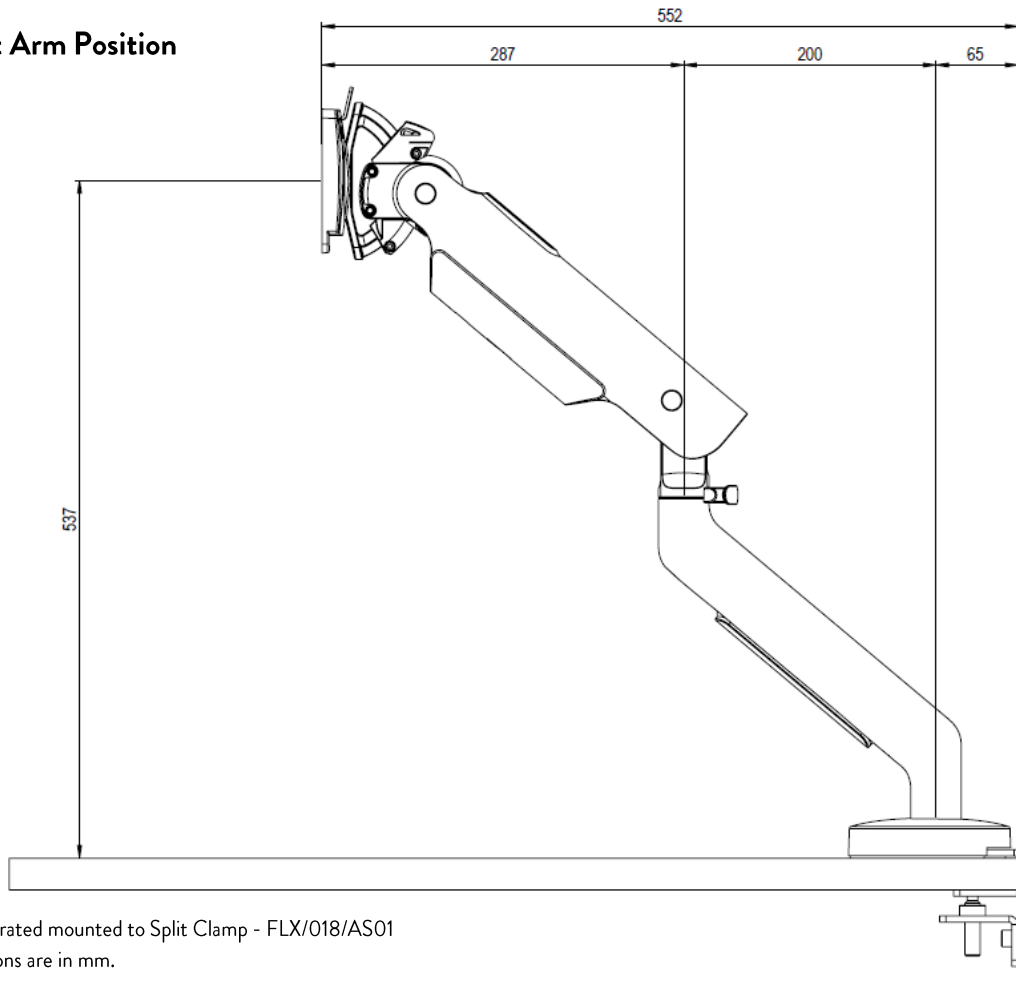
KEY FEATURES

- Designed to mount larger format / heavier displays (up to 18kg) including curved screens
- Innovative dual spring technology offers unparalleled smoothness of movement
- Spring system can be configured to suit lower weight range (down to 3kg) if required
- Next generation D-ring tilt offers adjustment to mount a range of screen formats, including curved screens
- Portrait-to-landscape screen adjustment
- Weight gauge reduces installation time for multiple installations
- Integrated cable management system

Load support range:	3kg to 18kg (For monitors below 9kg arm should be configured to single-spring mode) *
Horizontal reach:	612mm max
Vertical reach:	537mm max (to centre of VESA mount)
Vertical motion range:	328mm dynamic motion
Tilt range:	30° upwards, 10° downwards
VESA compatibility:	VESA 100 & VESA 75
Recycled content:	55%
Total product recyclable:	100%

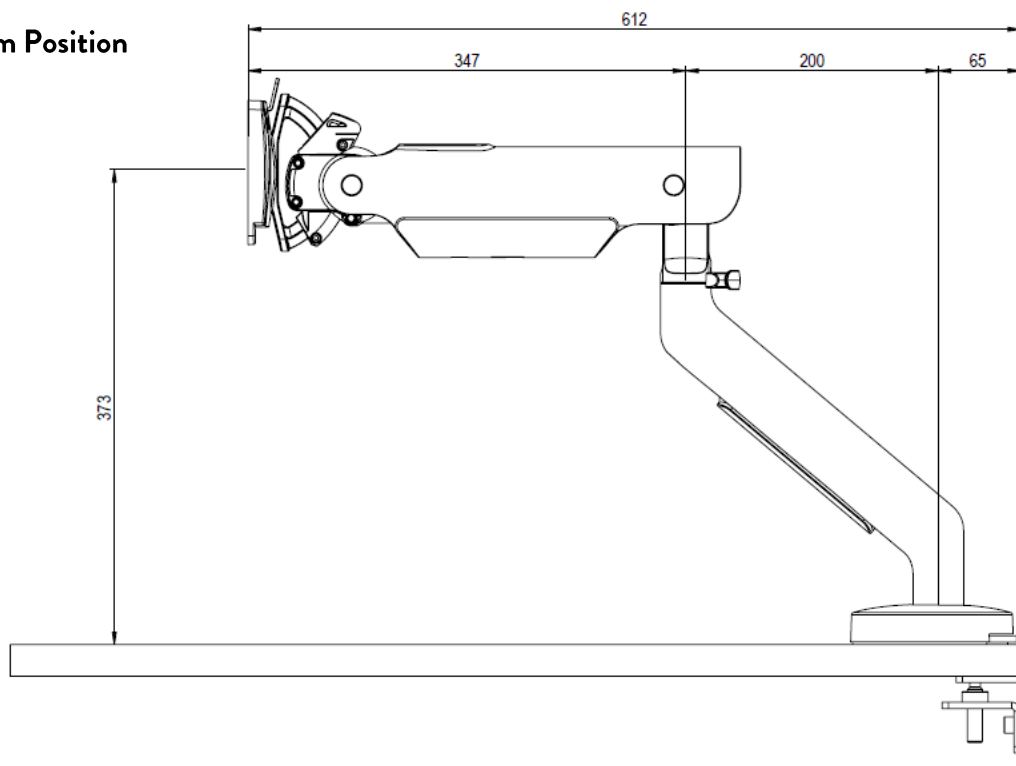
Maximum Reach Dimensions

Highest Arm Position

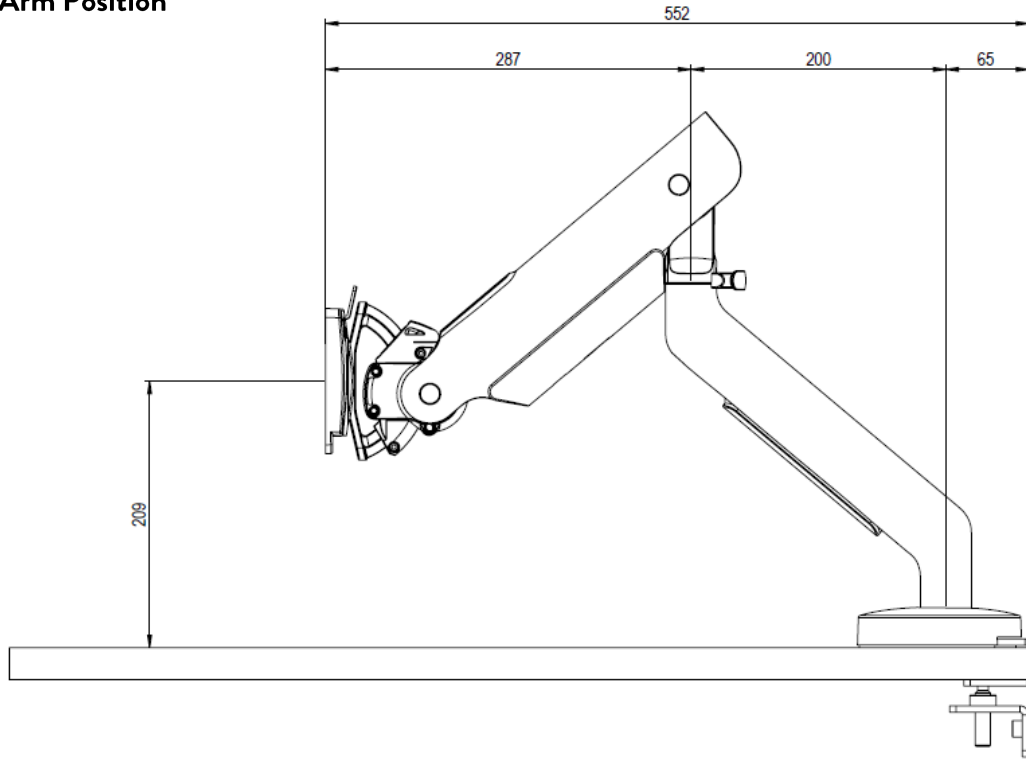


Arm is illustrated mounted to Split Clamp - FLX/018/AS01
All dimensions are in mm.

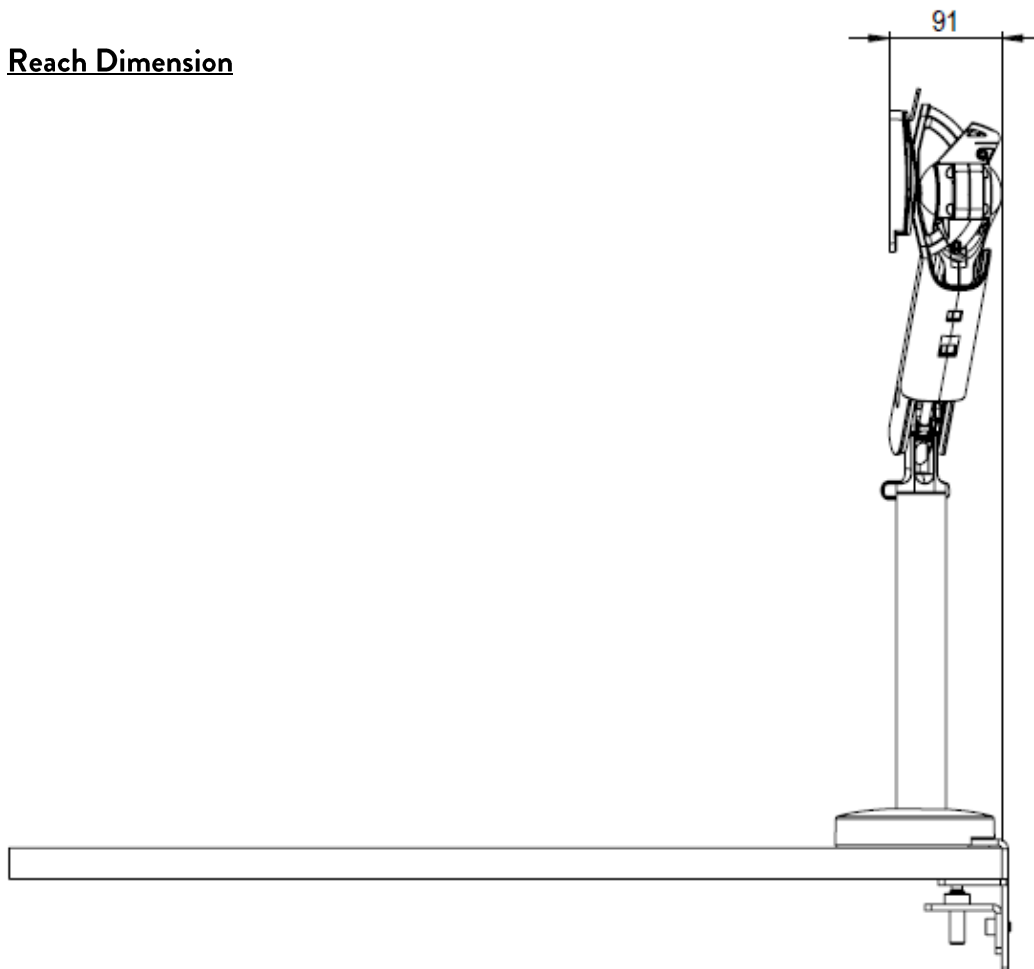
Mid Arm Position



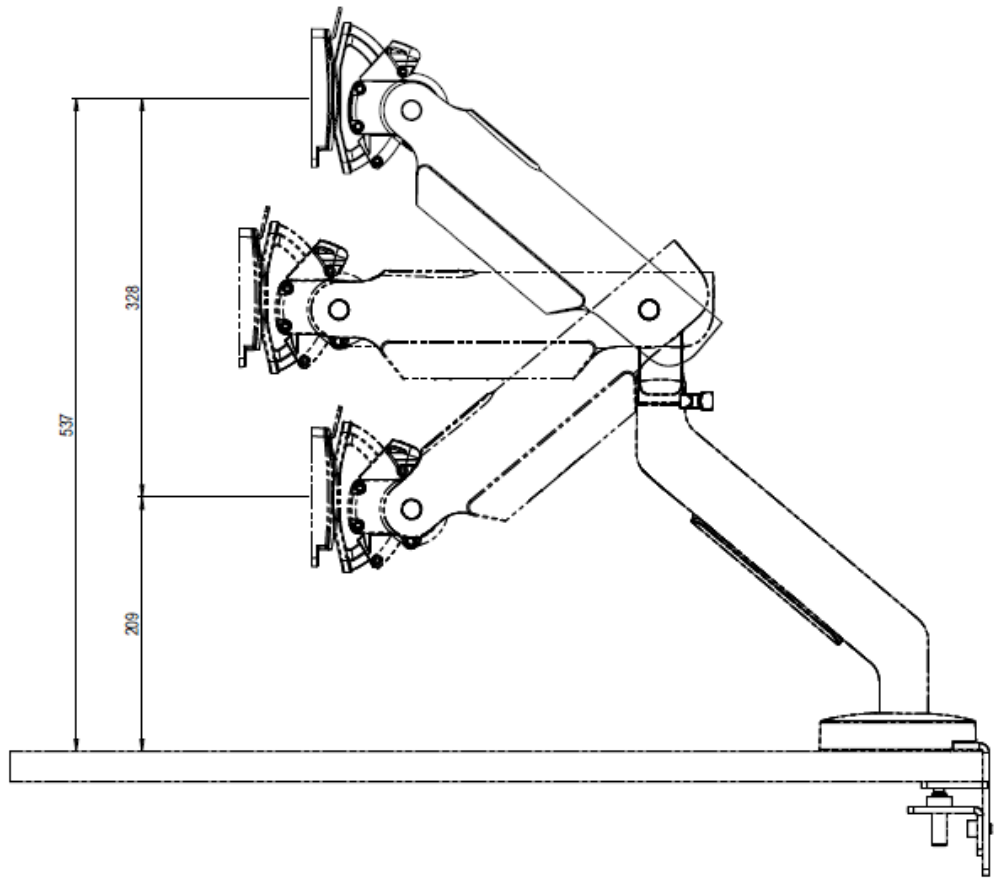
Lowest Arm Position



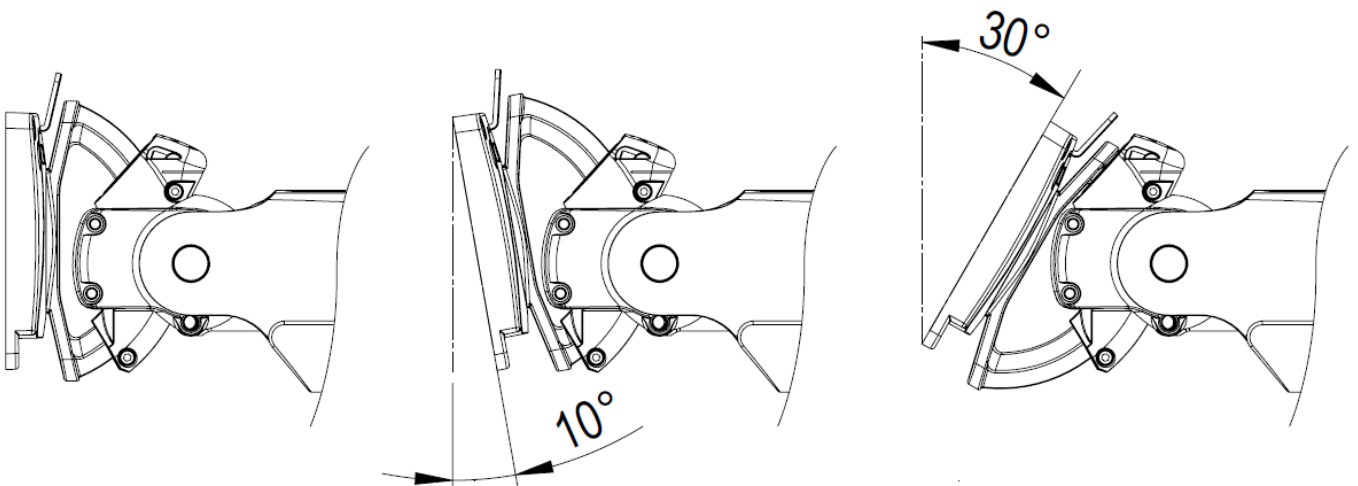
Minimum Reach Dimension



Height Adjustment Range



VESA Mount Tilt Range



LOGISTICAL

Box contains	Monitor arm & VESA plate (incl. mount screws), Allen keys, instructions
Product net weight:	3.35kg
Box dims	170mm x 121mm x 797mm
Box gross weight	3.8kg
Master carton quantity	4
Master carton dims	355mm x 251mm x 807mm
Master carton weight	16kg
Country of origin	Italy

Note: Some logistical data is estimated and may be subject to future confirmation.

ORDERING INFORMATION

Product Description	Product Code	Colour
Flo X Monitor Arm	FLX/018/010/S	Silver
Flo X Monitor Arm	FLX/018/010/B	Black
Flo X Monitor Arm	FLX/018/010/W	White

WARRANTY

Warranty Term	12 years
----------------------	----------

COMPLIANCE & SAFETY CERTIFICATION

Whilst no mandatory standards apply to the monitor arm product sector, all Colebrook Bosson Saunders monitor arms have been designed with appropriate articulation features, dimensional range and adjustability to conform to the requirements of BS EN ISO 9241:5 1999 Ergonomic requirements for office work with visual display terminals (VDTs).

ENVIRONMENTAL

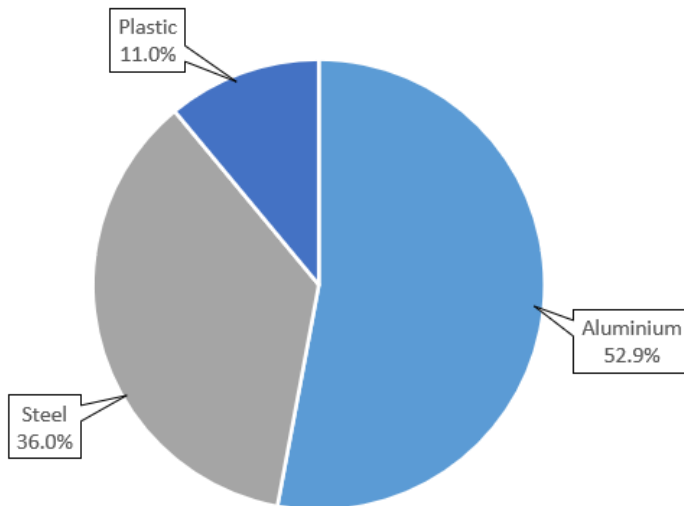
Material Make-up			Total Recycled Content	Breakdown of Recycled Content		Total Recyclable	
Overall Product			Overall Product	Overall Product		Overall Product	
Material type	Total Material type weight (g)	Percentage of Total Product Weight (%)	Material-Type Recycled Content (%)	Percentage PIR of total weight (%)	Percentage PCR of total weight (%)	Total Product Recyclable (g)	Total Product Recyclable (%)
Aluminium	1764.0	52.9%	50.3%	26.7%	23.6%	1764.0	52.9%
Steel	1201.0	36.0%	4.7%	0.8%	3.9%	1201.0	36.0%
Plastic	367.0	11.0%	0.0%	0.0%	0.0%	367.0	11.0%
Total	3332.0	100.0%	55.0%	27.5%	27.5%	3332.0	100.0%

Due to calculation rounding there may be some small variations in displayed percentage totals.

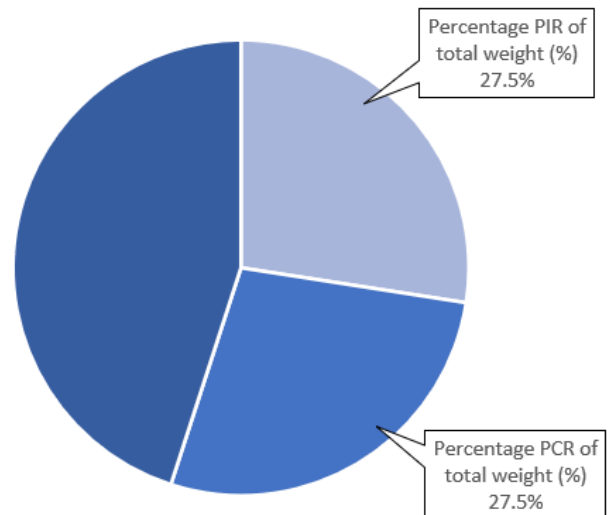
PIR = Post Industrial Recycled

PCR = Post Consumer Recycled

Total Product Weight (%)



Total Product Recycled Content (%)



CLEANING, STORAGE & MAINTENANCE

Routine servicing

Periodic inspection

Service components

Available to order

Cleaning & Maintenance

Damp cloth, no abrasives, no solvents to be used on the cosmetic surfaces

Handling & Storage

Do not drop or expose to moisture

While every effort is made to ensure the accuracy of our technical information, Colebrook Bosson Saunders (Products) Ltd accept no liability for the accuracy of the information contained in this document and reserve the right to modify the specifications or data contained herein without prior notification.



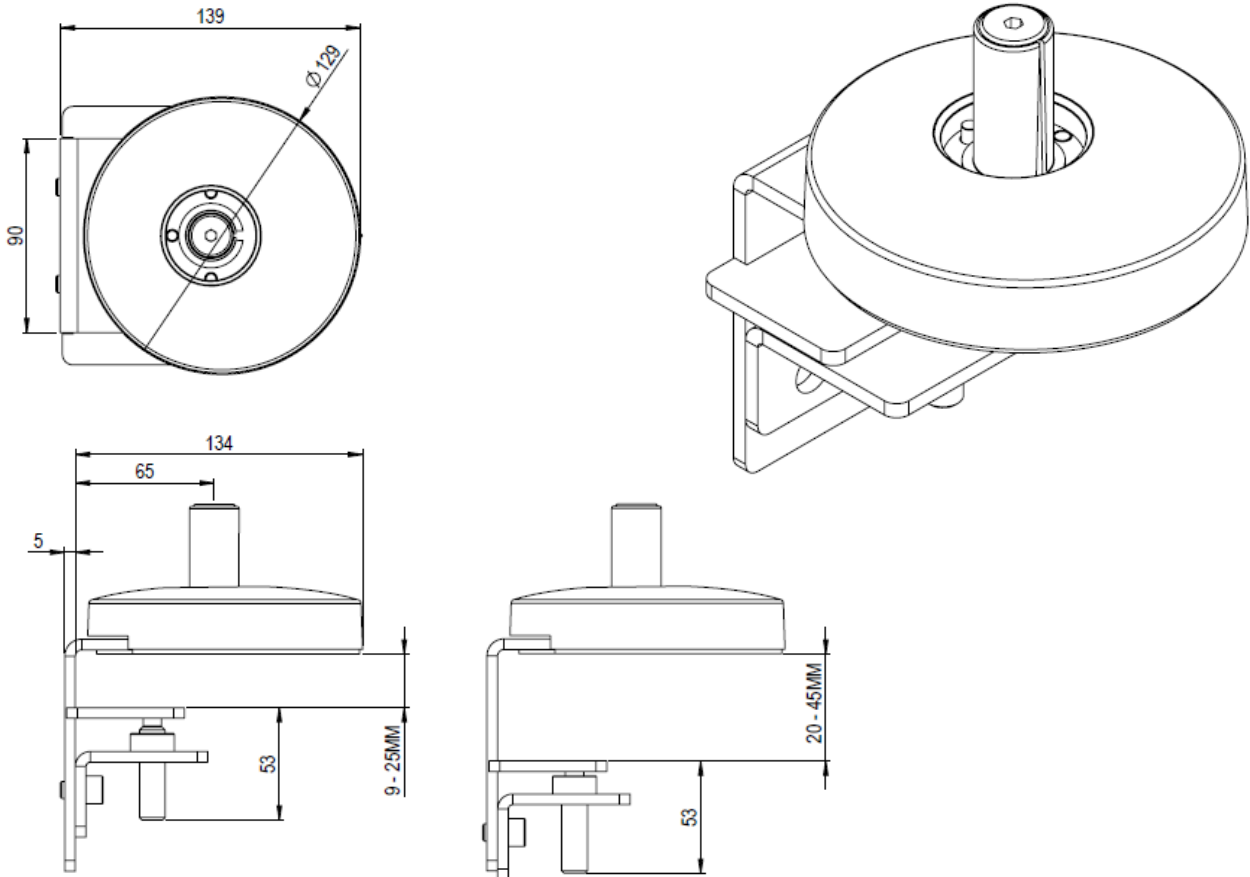
TECHNICAL SPECIFICATION SHEET

PRODUCT NAME: Flo X Split Clamp

PRODUCT CODE: FLX/018/AS01

Doc Rev 2

04.11.22 KO



All dimensions are in mm.

KEY FEATURES

- Desk clamp to support Flo X monitor arms
- Soft grip under-clamp pad ensures secure grip without damaging worksurface
- Configurable rotation stop system (offers 180° or 360° configurations)
- Suitable for worksurface thicknesses of 9mm to 45mm.
- Removeable lower clamp structure permits installation in restricted back-of-worksurface conditions, e.g. when there is a rear mounted furniture panel.

Load support range: Up to 18kg

Worksurface thickness range: 9mm to 45mm

Rotation stop options: 180° arm rotation or 360° arm rotation

Recycled content: 12%

Total product recyclable: 99%

LOGISTICAL

Box contains	Clamp, Allen key, instructions
Product net weight:	1.87kg
Box dims	115mm x 160mm x 195mm
Box gross weight	2.2kg
Master carton quantity	12
Master carton dims	250mm x 400mm x 490mm
Master carton weight	27kg
Country of origin	Italy

Note*: Some logistical data is estimated and may be subject to future confirmation.

ORDERING INFORMATION

Product Description	Product Code	Colour
Flo X Split Clamp	FLX/018/AS01/S	Silver
Flo X Split Clamp	FLX/018/AS01/B	Black
Flo X Split Clamp	FLX/018/AS01/W	White

WARRANTY

Warranty Term	12 years
----------------------	----------

COMPLIANCE & SAFETY CERTIFICATION

Whilst no mandatory standards apply to the monitor arm product sector, all Colebrook Bosson Saunders monitor arms have been designed with appropriate articulation features, dimensional range and adjustability to conform to the requirements of BS EN ISO 9241:5 1999 Ergonomic requirements for office work with visual display terminals (VDTs).

ENVIRONMENTAL

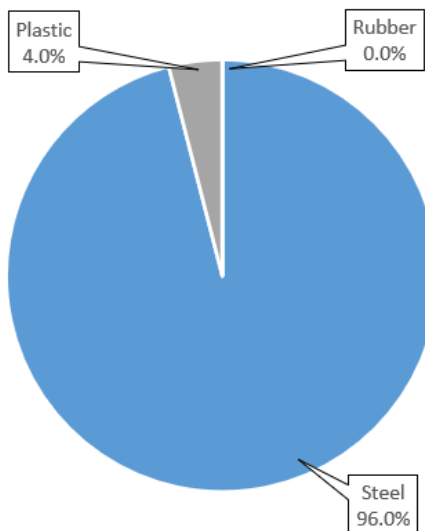
Material Make-up			Total Recycled Content	Breakdown of Recycled Content		Total Recyclable	
Overall Product			Overall Product			Overall Product	
Material type	Total Material type weight (g)	Percentage of Total Product Weight (%)	Material-Type Recycled Content (%)	Percentage PIR of total weight (%)	Percentage PCR of total weight (%)	Total Product Recyclable (g)	Total Product Recyclable (%)
Steel	1800.0	96.0%	12.5%	2.1%	10.4%	1800.0	96.0%
Plastic	75.0	4.0%	0.0%	0.0%	0.0%	55.0	2.9%
Rubber	0.0	0.0%	0.0%	0.0%	0.0%	0.0	0.0%
Total	1875.0	100.0%	12.5%	2.1%	10.4%	1855.0	98.9%

Due to calculation rounding there may be some small variations in displayed percentage totals.

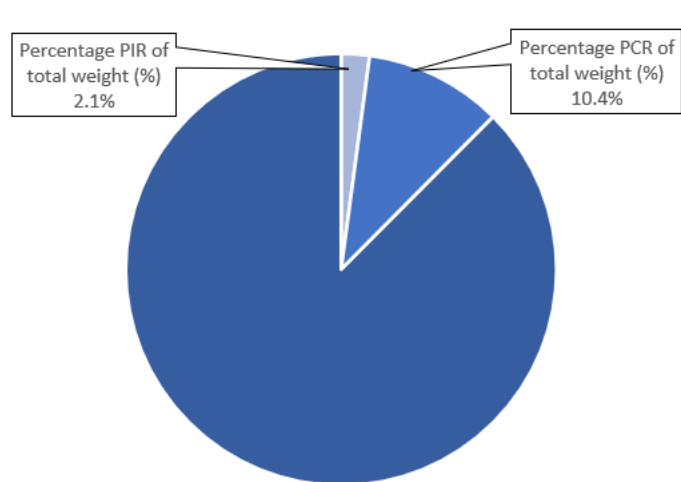
PIR = Post Industrial Recycled

PCR = Post Consumer Recycled

Total Product Weight (%)



Total Product Recycled Content (%)



CLEANING, STORAGE & MAINTENANCE

Routine servicing

Periodic inspection

Service components

Available to order

Cleaning & Maintenance

Damp cloth, no abrasives, no solvents to be used on the cosmetic surfaces

Handling & Storage

Do not drop or expose to moisture

While every effort is made to ensure the accuracy of our technical information, Colebrook Bosson Saunders (Products) Ltd accept no liability for the accuracy of the information contained in this document and reserve the right to modify the specifications or data contained herein without prior notification.



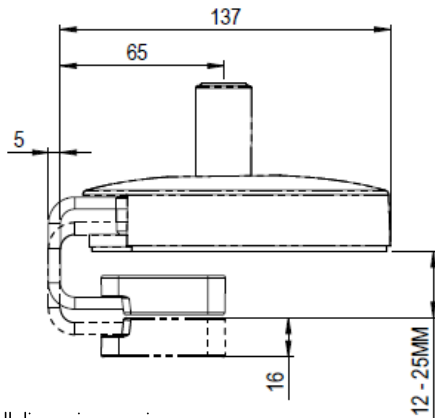
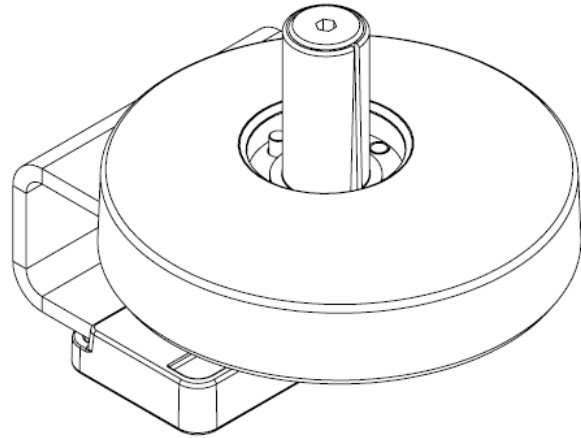
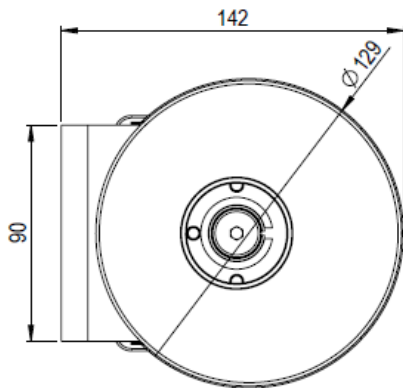
TECHNICAL SPECIFICATION SHEET

PRODUCT NAME: Flo X Top Mount Clamp

PRODUCT CODE: FLX/018/C07

Doc Rev 2.

04.11.22 KO



All dimensions are in mm.

KEY FEATURES

- Desk clamp to support Flo X monitor arms
- Soft grip under-clamp pad ensures secure grip without damaging worksurface
- Configurable rotation stop system (offers 180° or 360° configurations)
- Suitable for worksurface thicknesses of 12mm to 25mm.
- Top-access fixings permit easy installation from above-desk position. (Fixings are concealed beneath attractive cover)

Load support range: Up to 18kg

Worksurface thickness range: 12mm to 25mm

Rotation stop options: 180° arm rotation or 360° arm rotation

Recycled content: 12%

Total product recyclable: 98%

LOGISTICAL

Box contains	Clamp, instructions
Product net weight:	1.47kg
Box dims	115mm x 160mm x 195mm
Box gross weight	1.6kg
Master carton quantity	12
Master carton dims	250mm x 400mm x 490mm
Master carton weight	20kg
Country of origin	Italy

Note*: Some logistical data is estimated and may be subject to future confirmation.

ORDERING INFORMATION

Product Description	Product Code	Colour
Flo X Top Mount Clamp	FLX/018/C07/S	Silver
Flo X Top Mount Clamp	FLX/018/C07/B	Black
Flo X Top Mount Clamp	FLX/018/C07/W	White

WARRANTY

Warranty Term	12 years
----------------------	----------

COMPLIANCE & SAFETY CERTIFICATION

Whilst no mandatory standards apply to the monitor arm product sector, all Colebrook Bosson Saunders monitor arms have been designed with appropriate articulation features, dimensional range and adjustability to conform to the requirements of BS EN ISO 9241:5 1999 Ergonomic requirements for office work with visual display terminals (VDTs).

ENVIRONMENTAL

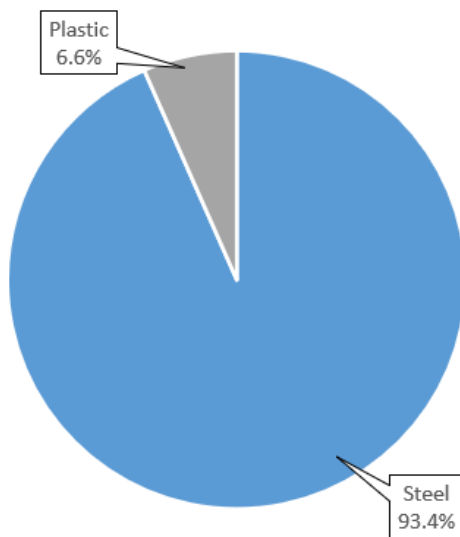
Material Make-up			Total Recycled Content	Breakdown of Recycled Content		Total Recyclable	
Overall Product			Overall Product			Overall Product	
Material type	Total Material type weight (g)	Percentage of Total Product Weight (%)	Material-Type Recycled Content (%)	Percentage PIR of total weight (%)	Percentage PCR of total weight (%)	Total Product Recyclable (g)	Total Product Recyclable (%)
Steel	1370.0	93.4%	12.1%	2.1%	10.1%	1370.0	93.4%
Plastic	97.0	6.6%	0.0%	0.0%	0.0%	77.0	5.2%
Total	1467.0	100.0%	12.1%	2.1%	10.1%	1447.0	98.6%

Due to calculation rounding there may be some small variations in displayed percentage totals.

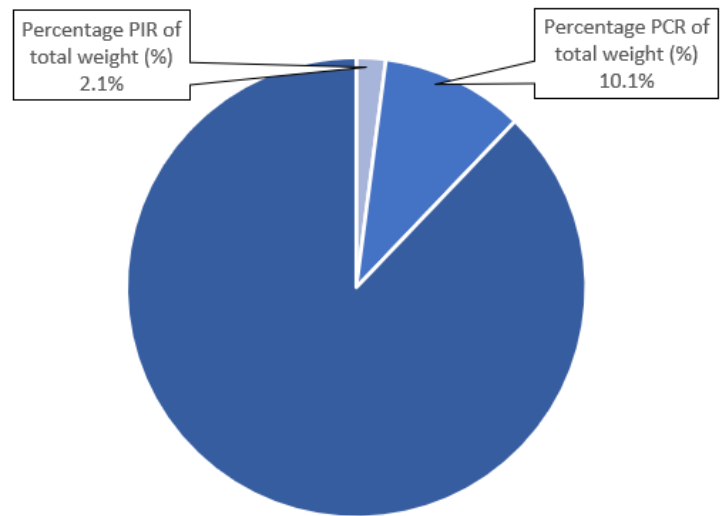
PIR = Post Industrial Recycled

PCR = Post Consumer Recycled

Total Product Weight (%)



Total Product Recycled Content (%)



CLEANING, STORAGE & MAINTENANCE

Routine servicing

Periodic inspection

Service components

Available to order

Cleaning & Maintenance

Damp cloth, no abrasives, no solvents to be used on the cosmetic surfaces

Handling & Storage

Do not drop or expose to moisture

While every effort is made to ensure the accuracy of our technical information, Colebrook Bosson Saunders (Products) Ltd accept no liability for the accuracy of the information contained in this document and reserve the right to modify the specifications or data contained herein without prior notification.



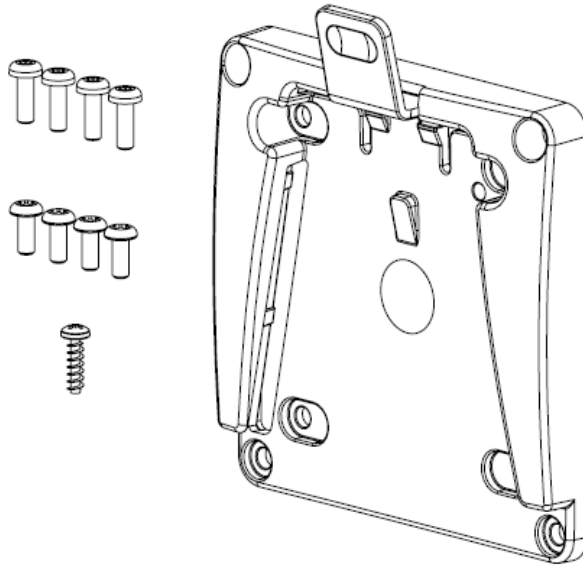
TECHNICAL SPECIFICATION SHEET

PRODUCT NAME: Flo X VESA Plate

PRODUCT CODE: FLX/018/VES

Doc Rev 3.

24.11.22 KO



KEY FEATURES

- Accessory / replacement VESA plate for Flo X monitor arms
- Compatible with Flo X Monitor Arm (FLX/018/010), Flo X Dual Mount Bar (FLX/018/DM1) and Flo X Triple Mount Kit (FLX/018/TM1)
- Includes VESA fixing screws and optional security screw.

VESA compatibility: VESA 100 & VESA 75

Recycled content: 2.5%

Total product recyclable: 100%

LOGISTICAL

Pack contains	VESA plate, fixing screws, optional security screw
Product net weight:	0.79kg
Pack dims	150mm x 130mm x 20mm
Pack gross weight	0.84kg
Master carton quantity	TBC
Master carton dims	TBC
Master carton weight	TBC
Country of origin	Italy

Note*: Some logistical data is estimated and may be subject to future confirmation.

ORDERING INFORMATION

Product Description	Product Code	Colour
Flo X VESA Plate	FLX/018/VES/B	Black

WARRANTY

Warranty Term	12 years
----------------------	----------

COMPLIANCE & SAFETY CERTIFICATION

Whilst no mandatory standards apply to the monitor arm product sector, all Colebrook Bosson Saunders monitor arms have been designed with appropriate articulation features, dimensional range and adjustability to conform to the requirements of BS EN ISO 9241:5 1999 Ergonomic requirements for office work with visual display terminals (VDTs).

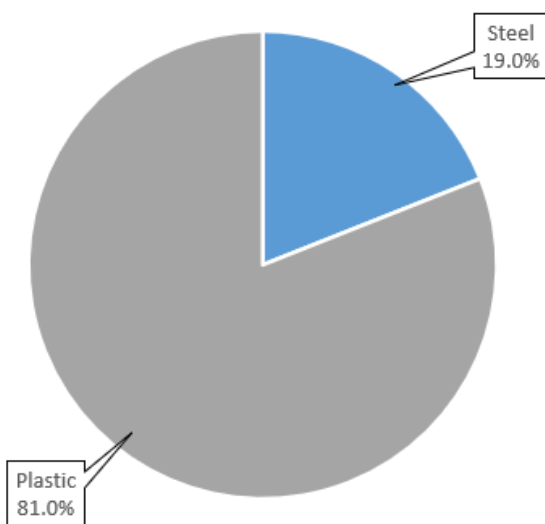
ENVIRONMENTAL

Material Make-up			Total Recycled Content	Breakdown of Recycled Content		Total Recyclable	
Overall Product			Overall Product			Overall Product	
Material type	Total Material type weight (g)	Percentage of Total Product Weight (%)	Material-Type Recycled Content (%)	Percentage PIR of total weight (%)	Percentage PCR of total weight (%)	Total Product Recyclable (g)	Total Product Recyclable (%)
Steel	15.0	19.0%	2.5%	0.4%	2.0%	15.0	19.0%
Plastic	64.0	81.0%	0.0%	0.0%	0.0%	64.0	81.0%
Total	79.0	100.0%	2.5%	0.4%	2.0%	79.0	100.0%

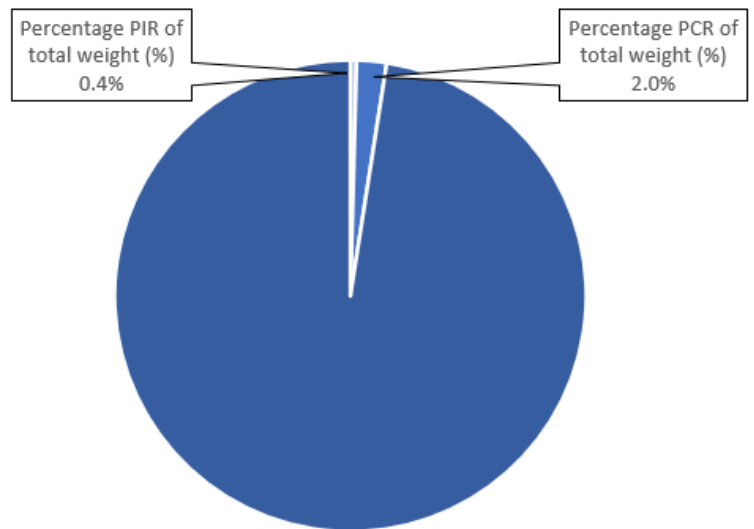
Due to calculation rounding there may be some small variations in displayed percentage totals.

PIR = Post Industrial Recycled
PCR = Post Consumer Recycled

Total Product Weight (%)



Total Product Recycled Content (%)



CLEANING, STORAGE & MAINTENANCE

Routine servicing	Periodic inspection
Service components	Available to order
Cleaning & Maintenance	Damp cloth, no abrasives, no solvents to be used on the cosmetic surfaces
Handling & Storage	Do not drop or expose to moisture

While every effort is made to ensure the accuracy of our technical information, Colebrook Bosson Saunders (Products) Ltd accept no liability for the accuracy of the information contained in this document and reserve the right to modify the specifications or data contained herein without prior notification.