

MARKANT
health & productivity



Hybrid Meeting Table Guide

MARKANT
health & productivity

Hybrid Table 240 - Low

Meeting table low

Article code
19 aa 153 y



100 cm width

Hybrid Table 240 - High

Meeting table high

Article code
19 aa 157 y



100 cm width

Hybrid Table 280 - Low

Meeting table low

Article code
19 aa 154 y



100 cm width

Hybrid Table 280 - High

Meeting table high

Article code
19 aa 158 y



100 cm width

Hybrid Table 320 - Low

Meeting table low

Article code
19 aa 155 y



100 cm width

Hybrid Table 320 - High

Meeting table high

Article code
19 aa 159 y

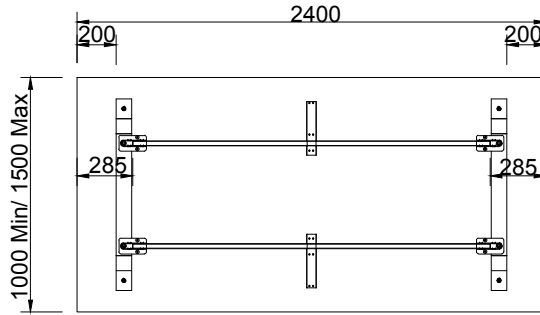


100 cm width

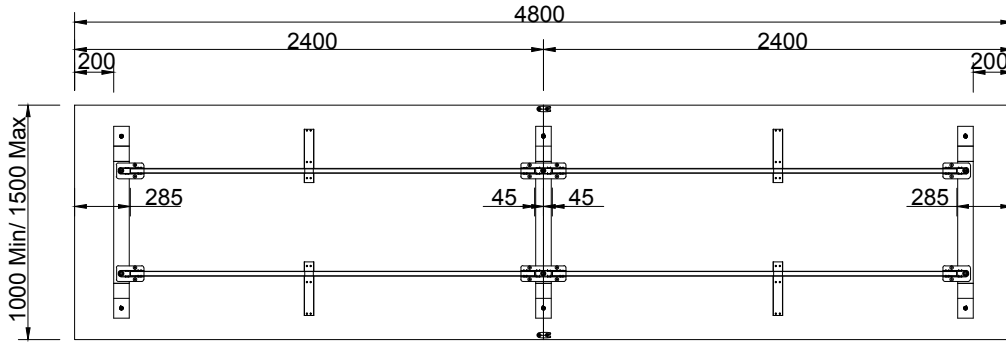
The tops of meeting tables have a 20 cm overhang.

The tops of meeting tables have a 20 cm overhang.

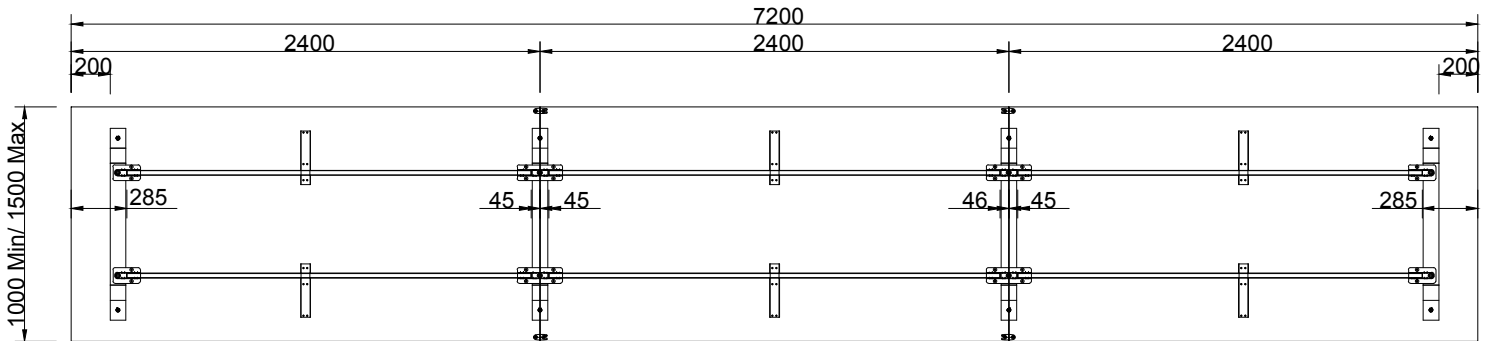
STEP 1: Determine the size of the table



RANGE 2 LEG : 1000mm/1500mm - 2400mm



RANGE 3 LEG : >2400mm - 4800mm



RANGE 4 LEG & ABOVE : > 7200 & UP
TO UNLIMITED LENGTH

*** Price of worktop will be provided upon request.**

STEP 2: Pick up legs



"Meeting" for 75 cm High Leg.

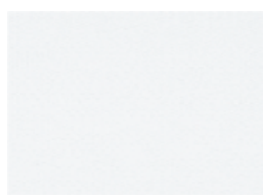


"Standing" for 108 cm High Leg.

COLOUR SELECTION :-



Ash Wood



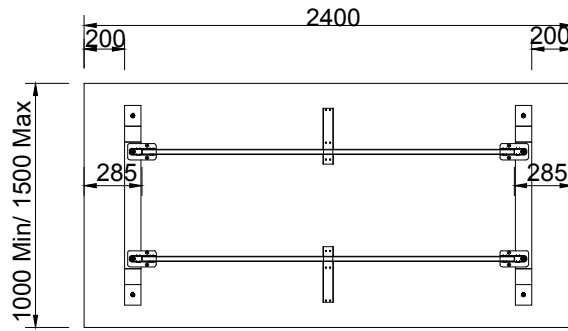
Aluminium White



Aluminium Black

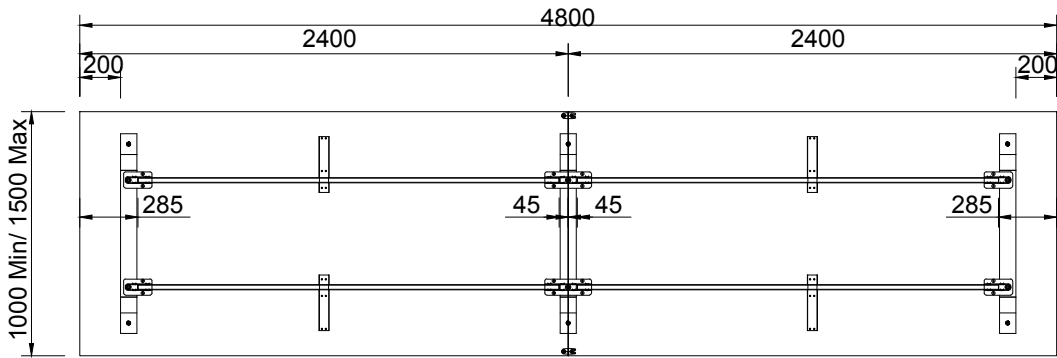
ARTICLE NO.	NAME
1900211099	Hybrid table leg meeting H:75cm
1900211199	Hybrid table leg meeting H:110cm

STEP 3: Pick up beam size



$$2400 - (285+285) = 1830$$

$$\text{X-BEAM} = 1830$$

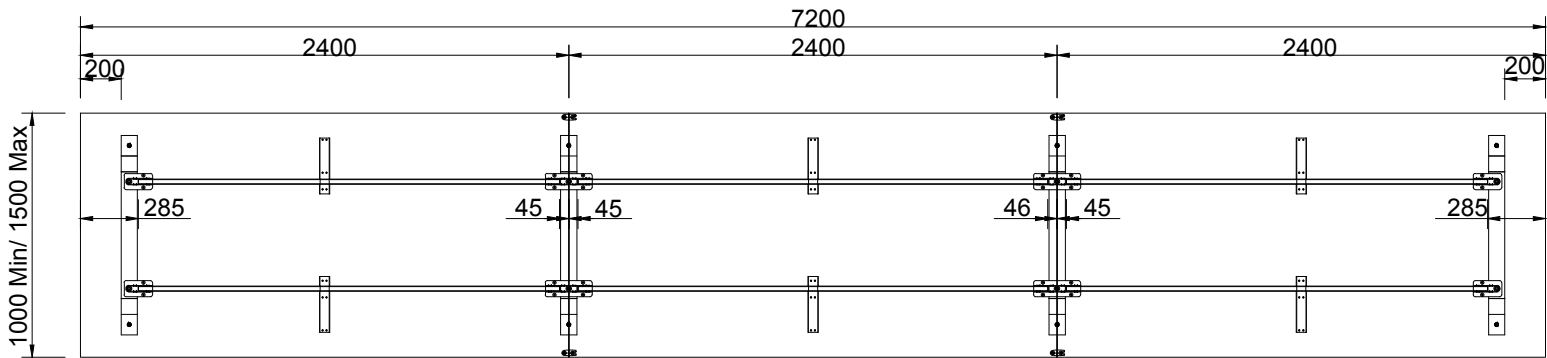


$$2400 - (285+45) = 2070$$

$$\text{X-BEAM} = 2070$$

$$2400 - (285+45) = 2070$$

$$\text{X-BEAM} = 2070$$



$$2400 - (285+45) = 2070$$

$$\text{X-BEAM} = 2070$$

$$2400 - (45+45) = 2310$$

$$\text{X-BEAM} = 2310$$

$$2400 - (285+45) = 2070$$

$$\text{X-BEAM} = 2070$$

STEP 4: Add table top support



Table top support (End Leg)

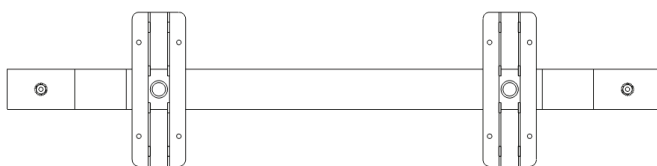


Table top support (Middle Leg)

ARTICLE NO.	NAME
19002207	Hybrid meeting table top support
19002208	Hybrid meeting table middle top support

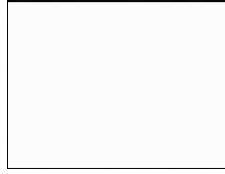
HYBRID LEGS



Ash Wood

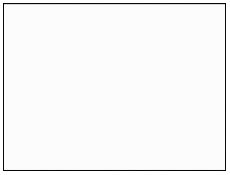


Black



White

TABLE WORKTOPS



White



Murnau Maple

MARKANT



Hybrid Meeting Table Guide

Meeting Table

Hybrid Table 240 - Low

Meeting table low



Hybrid Table 240 - High

Meeting table high



Hybrid Table 280 - Low

Meeting table low



Hybrid Table 280 - High

Meeting table high



Hybrid Table 320 - Low

Meeting table low



Hybrid Table 320 - High

Meeting table high



Round Table

Hybrid Round Table

Ø1000, Ø1100, Ø1200



Hybrid Round Table

Ø1300, Ø1400, Ø1500

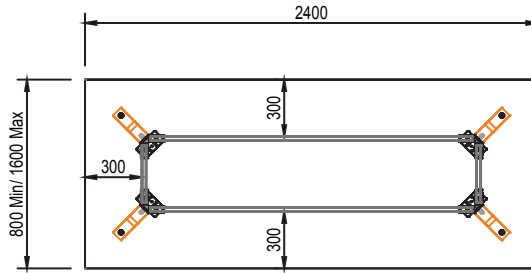


Hybrid Round Table

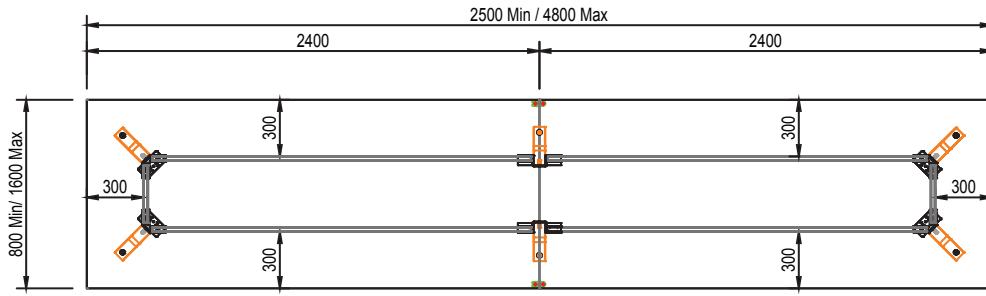
Ø1600, Ø1700, Ø1800



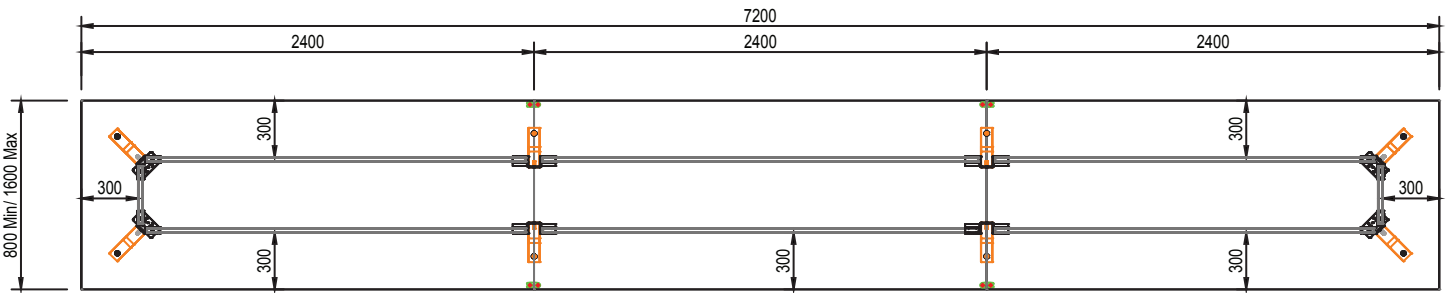
STEP 1: Determine the size of the table (Meeting Table)



RANGE 2 LEG : 2400mm



RANGE 3 LEG : 2400mm > 4800mm



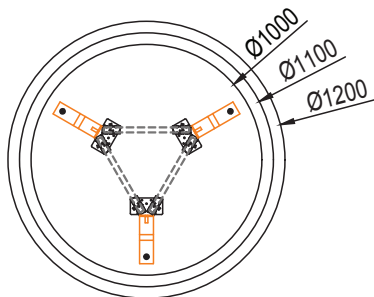
RANGE 4 LEG & ABOVE : 7200 & UP
TO UNLIMITED LENGTH

*** Price of worktop will be provided upon request.**

STEP 1: Determine the size of the table (Round Table)

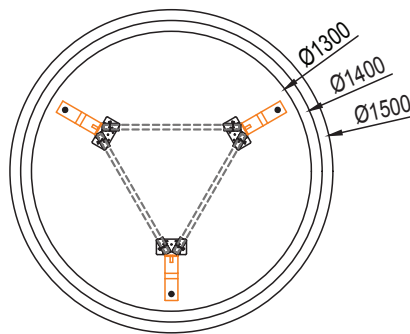
Hybrid Round Table

Ø1000, Ø1100, Ø1200



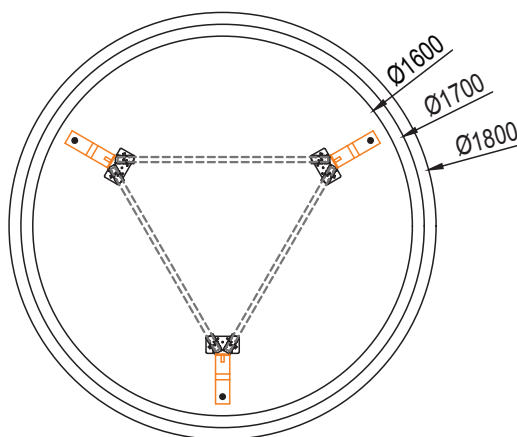
Hybrid Round Table

Ø1300, Ø1400, Ø1500



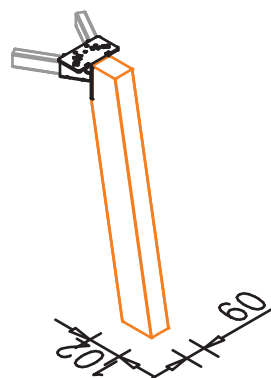
Hybrid Round Table

Ø1600, Ø1700, Ø1800

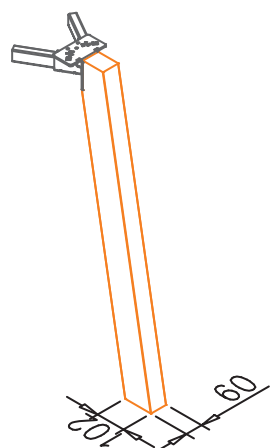


** Price of worktop will be provided upon request.*

STEP 2: Pick up legs



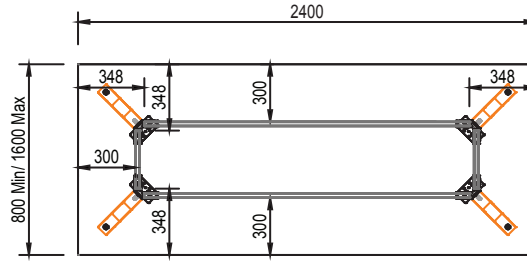
"Meeting" for 75 cm High Leg.



"Standing" for 110 cm High Leg.

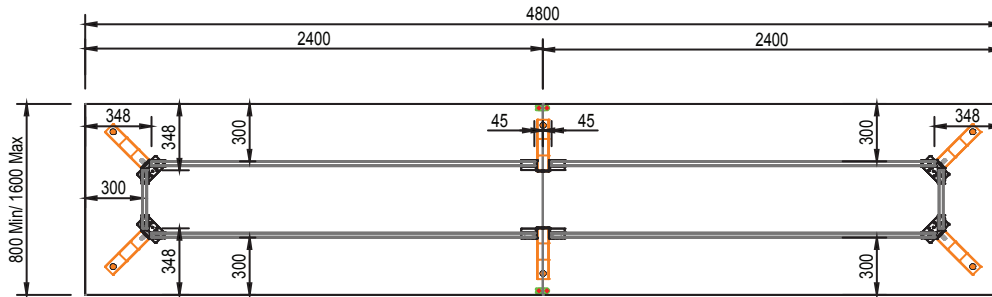
ARTICLE NO.	NAME
19002119aa	Hybrid table pod leg meeting H:75cm
19002122aa	Hybrid table pod leg standing H:110cm

STEP 3: Pick up beam size (Meeting Table)



$$2400 - (348+348) = 1704$$

$$1000 - (348+348) = 304$$

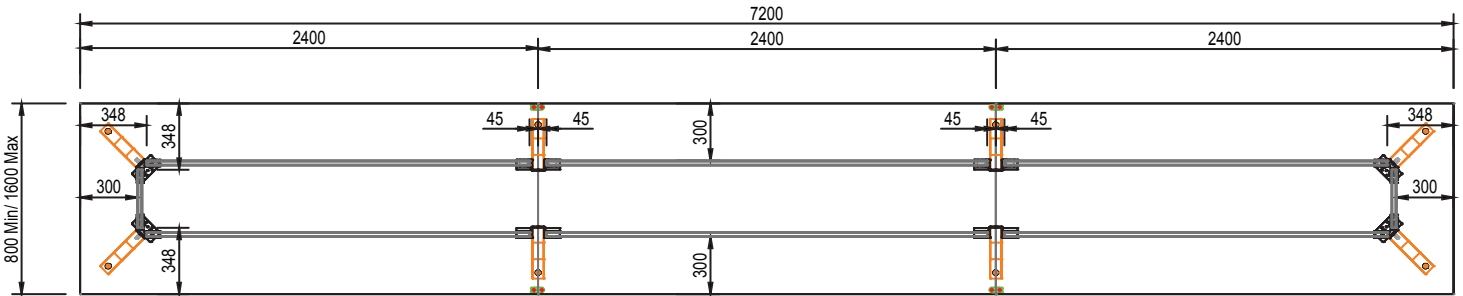


$$2400 - (348+45) = 2007$$

$$1000 - (348+348) = 304$$

$$2400 - (348+45) = 2007$$

$$1000 - (348+348) = 304$$



$$2400 - (348+45) = 2007$$

$$1000 - (348+348) = 304$$

$$2400 - (45+45) = 2310$$

$$2400 - (348+45) = 2007$$

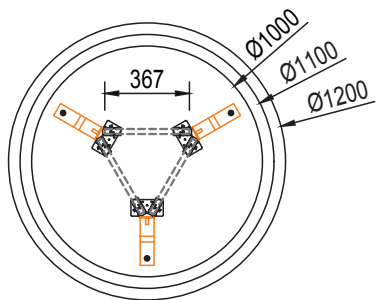
$$1000 - (348+348) = 304$$

STEP 3: Pick up beam size (Round Table)

Hybrid Round Table

Ø1000, Ø1100, Ø1200

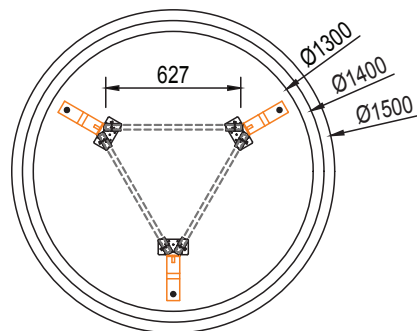
Article code
19002225



Hybrid Round Table

Ø1300, Ø1400, Ø1500

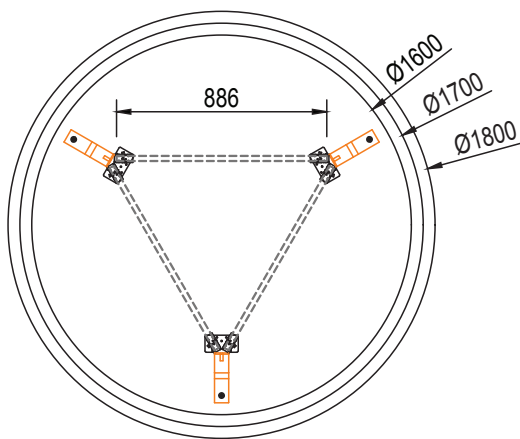
Article code
19002225



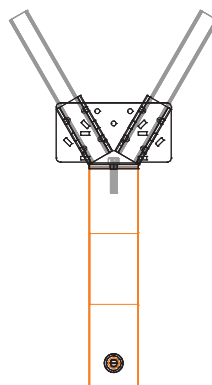
Hybrid Round Table

Ø1600, Ø1700, Ø1800

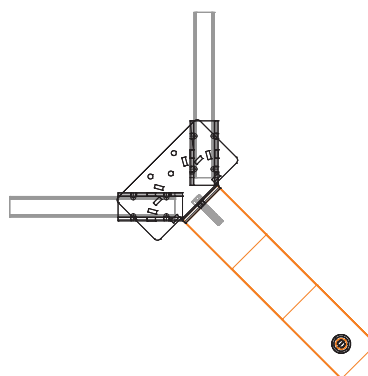
Article code
19002225



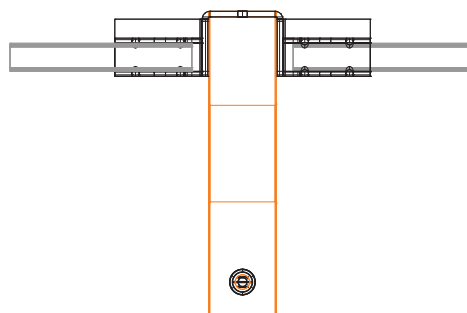
STEP 4: Add pod leg bracket



Pod leg bracket 60 degree



Pod leg bracket 90 degree



Pod leg bracket 180 degree

ARTICLE NO.	NAME
19002226	Hybrid pod leg bracket 60 degree
19002227	Hybrid pod leg bracket 90 degree
19002228	Hybrid pod leg bracket 180 degree

HYBRID LEGS



Ash Wood



Black



White

TABLE WORKTOPS



White



Murnau Maple