

# HOW.

Melbourne  
Sydney  
Brisbane  
Perth

+61 3 9219 4194  
info@howgroup.com.au  
howgroup.com.au  
@howgroup



**Layer**  
Chair Collection



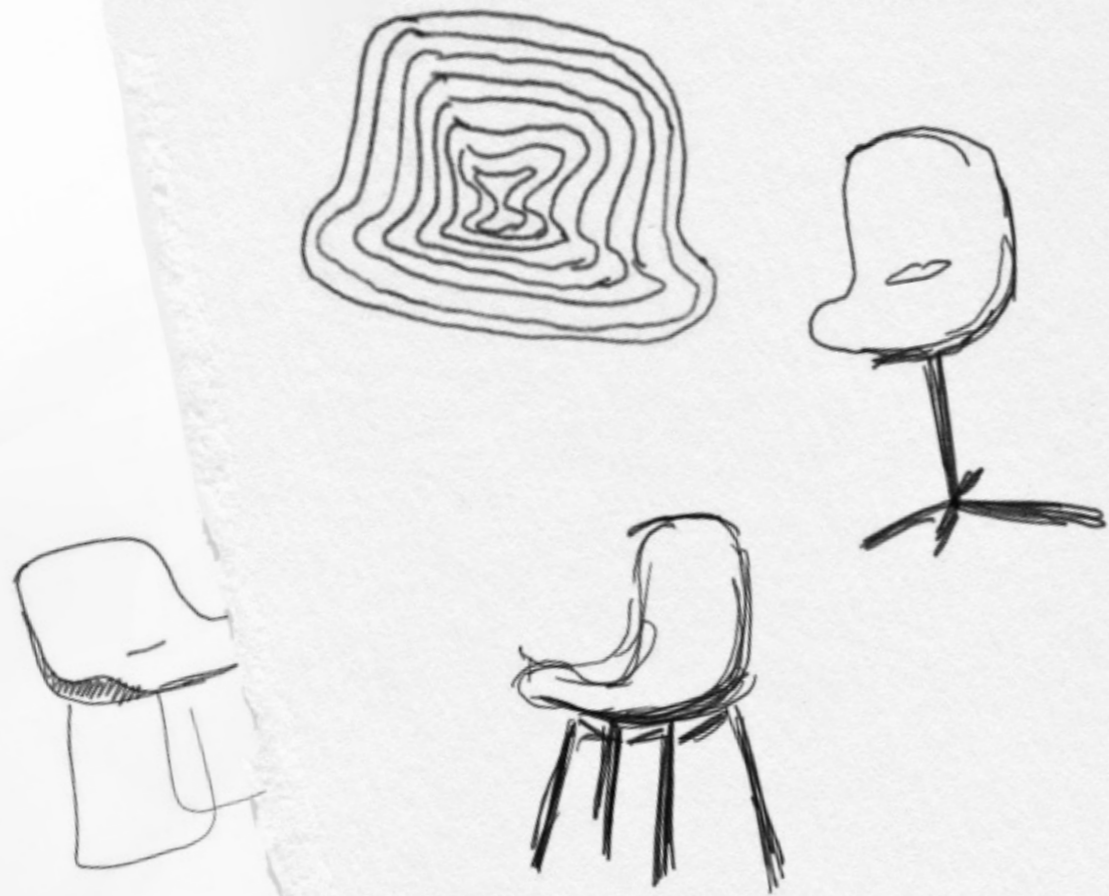
Leading workplace furniture brand UFOU represents the core values many organisations strive for: innovation, sustainability, diversity, and inclusion.

Facilitating the rapid cross-border movement of European, Scandinavian, and Asia-Pacific design, UFOU's collection is a melting pot of cultural diversity that showcases a perfect fusion of East/West principles, manufacturing prowess, design thinking, and innovation brought together to create products that enhance and inspire a better life.

This core proposition inspires UFOU to blend progressive international design, local cultures, and global influences, resulting in a complex tapestry of design and manufacturing techniques that appeal to modern and sustainable thinking.



# HOW.



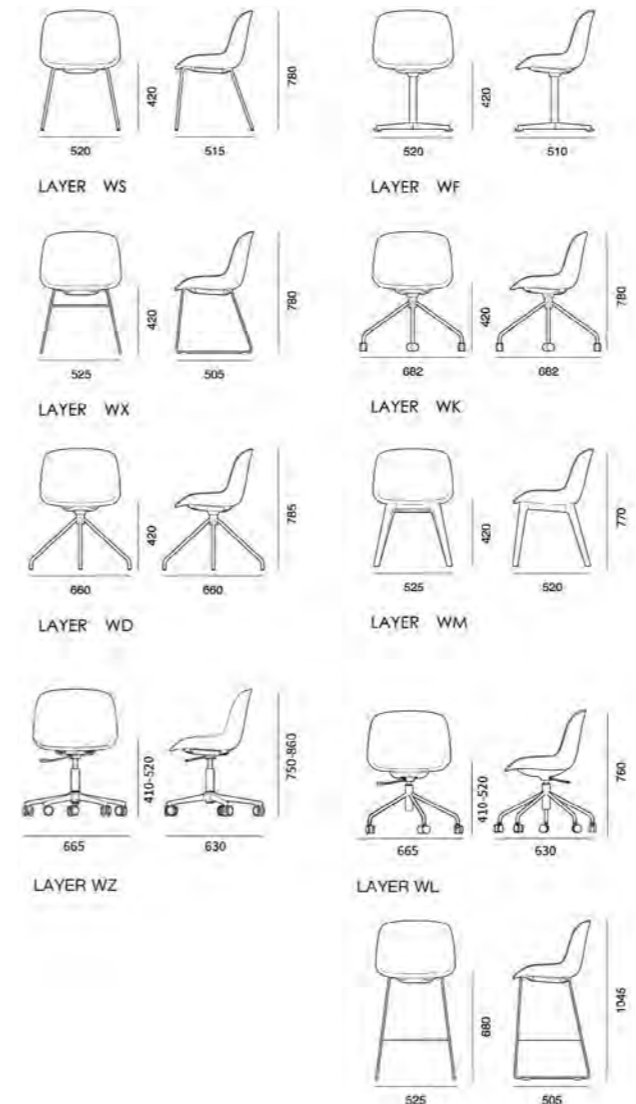
The Layer chair collection was designed with one purpose in mind—sustainability and ethical production.

Crafted from a single form, Layer offers exceptional comfort whilst delivering on its promise—to provide a reduction in the number of plastic materials, dependence on petrochemical plastics and the carbon footprint through considered and sustainable practices in mass production so that we can leave a better living environment for the future.





# HOW.



**Layer**  
 Crafted from a single form, Layer offers exceptional comfort whilst delivering on its promise—to provide a reduction in the number of plastic materials, dependence on petrochemical plastics and the carbon footprint through considered and sustainable practices in mass production so that we can leave a better living environment for the future.

**Lead Time**  
 8-10 Weeks

**Warranty**  
 5 year warranty

**Materials & Finishes**  
 Refer to UFOU Materials & Finishes Guide for full specification.

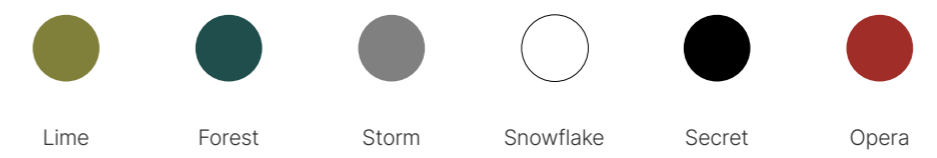
Available as a family, the Layers collection comes with a range of seat and base options including

Lite Layer features 9 base options, and 6 shell variations available in 6 colours with custom colours available for large quantities.

### Seat Configurations



### Shell Finishes

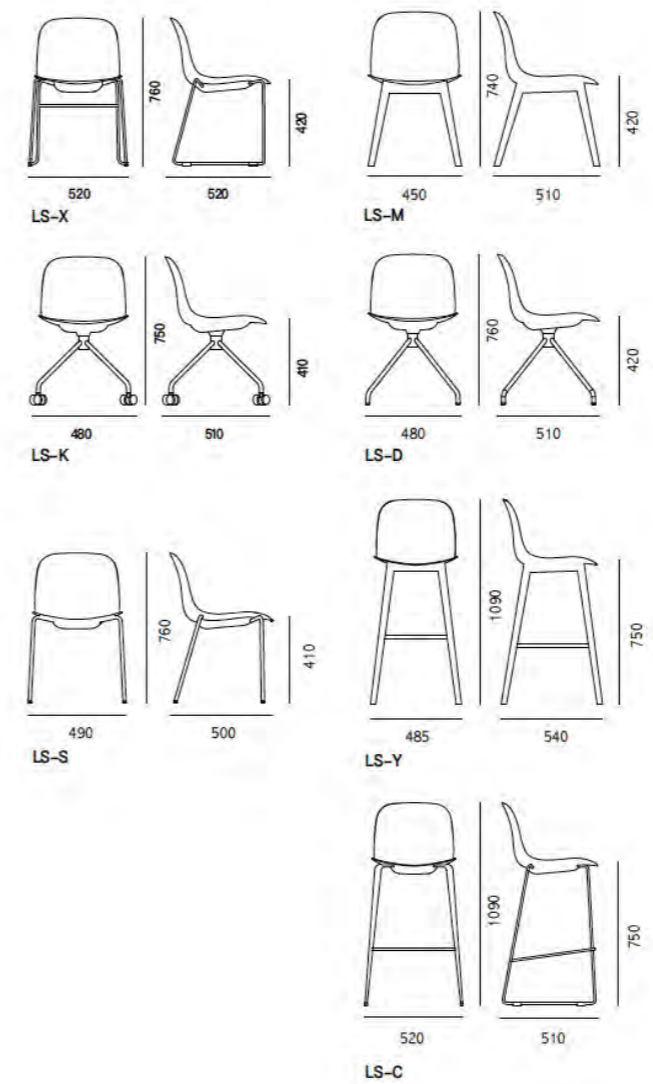


### Base Options





# HOW.



### Lite Layer

With a slim and compact footprint, Lite Layer is characterised by its defined rounded, organic silhouette. Crafted from a single piece of polypropylene and comprising a screw-free structure, Lite Layer provides exception comfort and offer unlimited flexibility due to its 'lite' construction and durability of materials.

Lite Layer features 7 base options ranging from sled, 4 star and timber 4 leg along with 2 bar stool options. The shell is available in 6 colours with custom colours available for large quantities.

Lite Layer can be easily stacked and stored and is widely used in hospitality, training, education and flex workspaces.

### Lead Time

8-10 Weeks

### Warranty

5 year warranty

### Materials & Finishes

Refer to UFOU Materials & Finishes Guide for full specification.

### Lite Layer Seat Configurations



### Shell & Base Colours

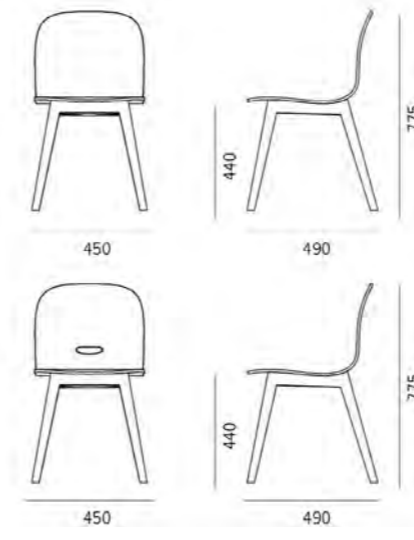


### Base Options





**HOW.**



**Lite Layer Veneer Seat Configurations**



Standard      Grip Slot

**Shell & Base Colours**



Walnut Veneer      Red Oak Veneer

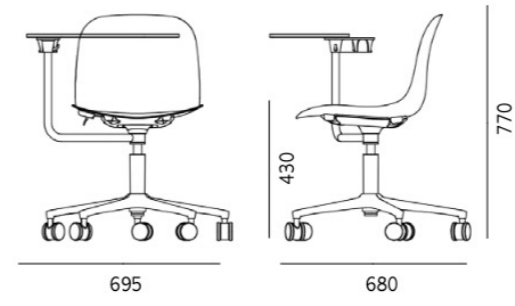
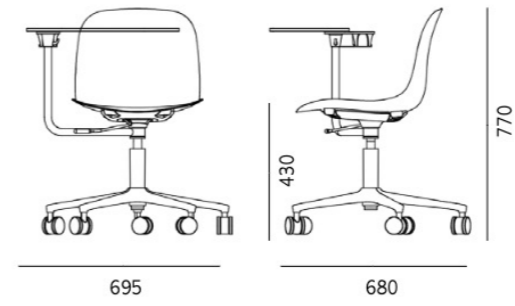
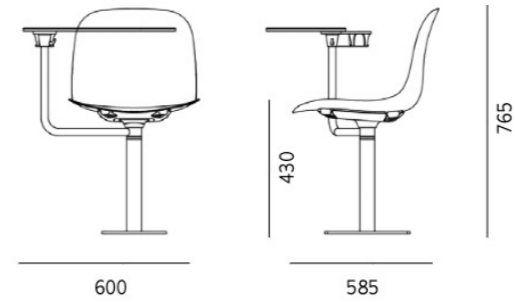
**Base**



4 Leg



# HOW.

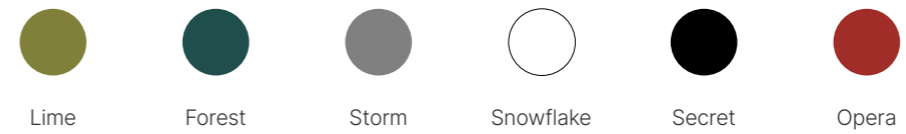


### Lite Layer Seat Configurations



Standard Upholstered Seat Pad Grip Slot

### Shell & Base Colours



Lime Forest Storm Snowflake Secret Opera

### Base Options



LS-TF LS-TZ LS-TX



# HOW.



### Layer Plus

Layer Plus brings all the benefits of Layer plus the softness and comfort of a lounge chair whilst maintaining the timelessness and sustainability principles.

Layer Plus has a unique character and depth that allows for both playfulness and sophistication across a range of workplace, hospitality, health and education applications.

With a range of 4 base and a variety of upholstery options, Layer Plus can be configured to your requirements.

### Lead Time

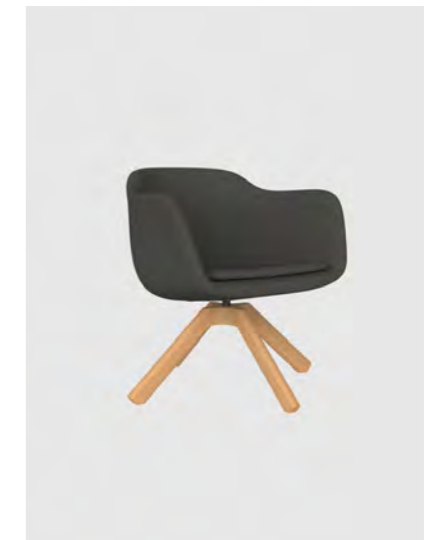
8-10 Weeks

### Warranty

5 year warranty

### Materials & Finishes

Refer to UFOU Materials & Finishes Guide for full specification.



### Seat Configurations



Standard

### Upholstery



Fabric 1



Fabric 2



Fabric 3



Fabric 4



Fabric 5



Fabric 6

### Base Options



Layer Plus AX



Layer Plus AU



Layer Plus AM1



Layer Plus AM2



**HOW.**



[howgroup.com.au](http://howgroup.com.au)