



Lovoc

Specification Guide

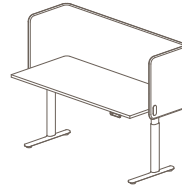
Lovoc

A modular, sustainable workstation screen designed with the entire product lifecycle in mind.

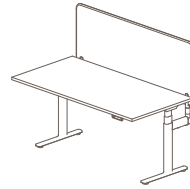
No stitching or glueing allows for easy disassembly of environmentally conscious components made from 60% recycled content and materials diverted from landfill.

Lovoc

Worktop Mounted 6 – 9



Frame Mounted 10 – 14



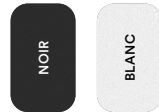
A minimalist line drawing of a signpost. The signpost consists of a vertical pole with a rectangular sign attached to it. The sign has rounded corners and a small oval-shaped detail at the bottom. The word "Lovoc" is printed in a bold, sans-serif font on the sign. To the left, a portion of another rectangular sign is visible, also attached to the pole.

Lovoc

Lovoc Finishes

1. Screen Bracket

Our screen mounts are available in Noir and Blanc powdercoat to match table frame



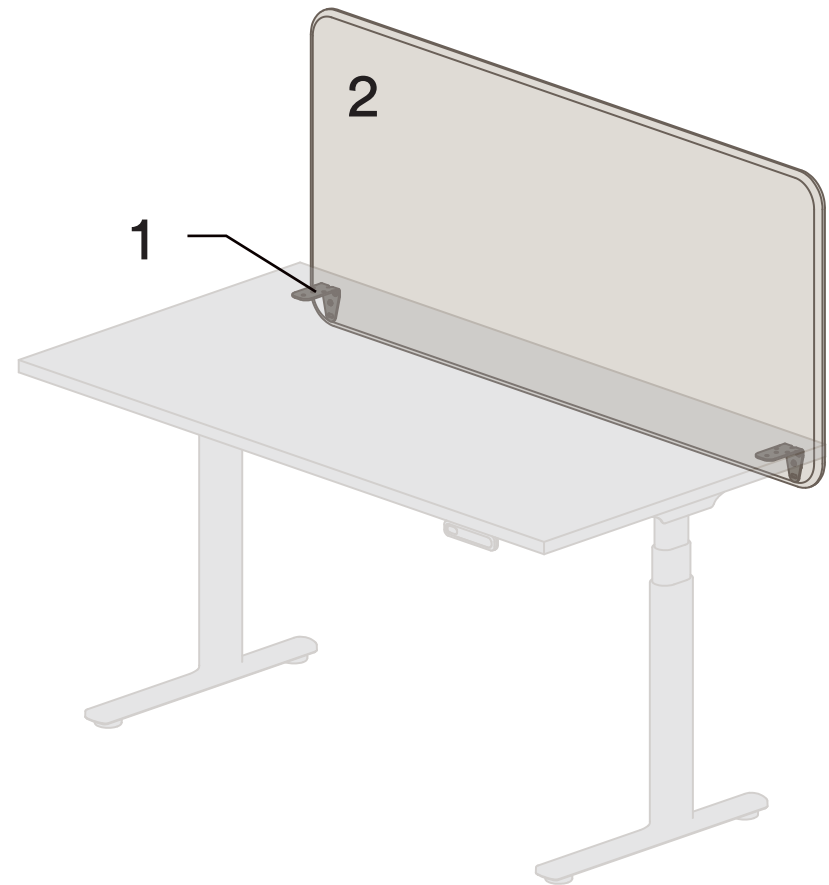
2. Upholstered Screen

- a. Upholstered - Customer Supplied Fabric
- b. Upholstered - Thinking Works Preferred Fabric

The unique and patented manufacturing process of Lovoc allows outstanding sustainability.

Thinking Works recommends Woven Image's GLOBAL fabric range to ensure we can upholster screens without the need of PU foam backing whilst using 97% less adhesives than similar traditionally made screens. As a result, Lovoc screens can be made to a shorter production time. GLOBAL is available in range of 25 colours and is low VOC certified.

Lovoc Screens are designed to be disassembled at the end of the product life and split up in the recycling streams of each material. This can only be achieved if the fabric is not foam backed. Please take this in consideration when specifying the fabric for your project.



*Two tone upholstery is possible

Colours are representative only, please check with your Thinking Works consultant to view samples of any specific colour.

Lovoc

Worktop Mounted Upholstered Screen

Materials Information

Upholstered Screen

Fabric

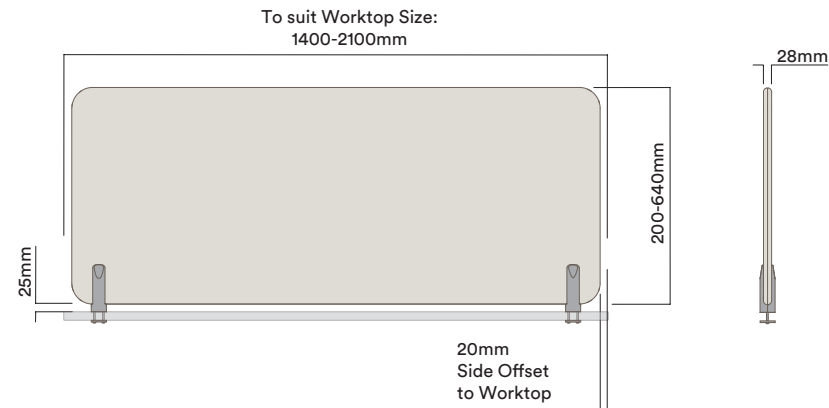
- a. Customer Supplied Fabric
- b. Thinking Works Preferred Fabric

Screen Mounts

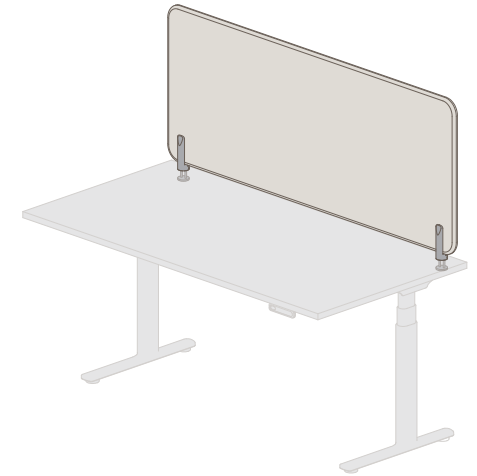
Powdercoat Aluminium Screen Mount and Extrusion

- a. Noir
- b. Blanc

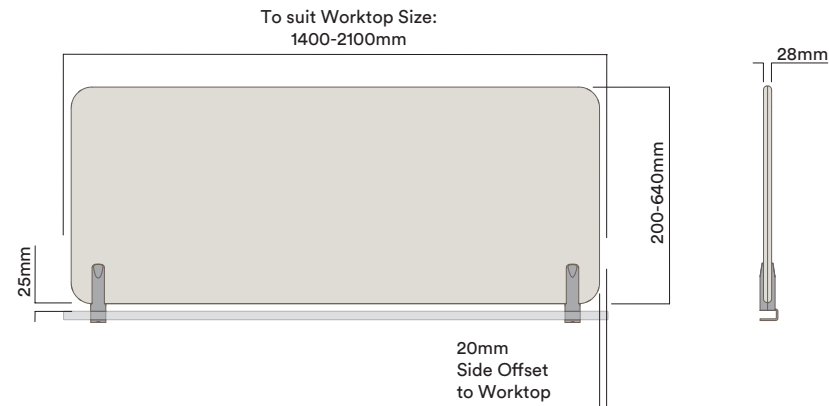
WSA-6020 Series



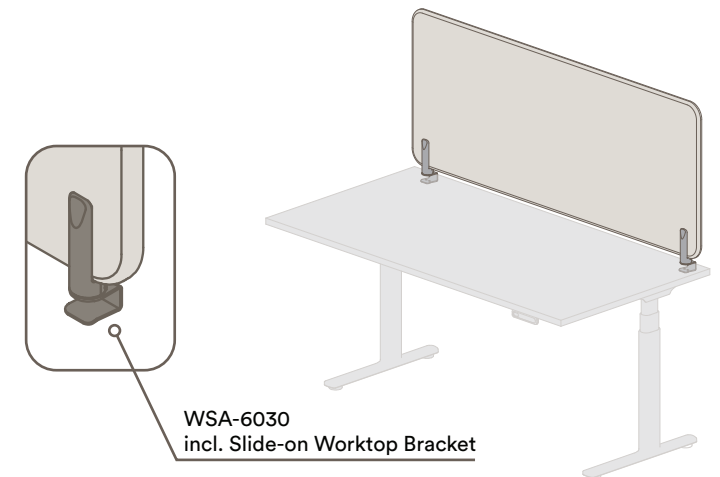
Worktop Mounted - Bolt Through Mounted - Lovoc Screen



WSA-6030 Series



Worktop Mounted - Slide On - Lovoc Screen



*Note:

Shown sizes are for rectangular Worktops only.
For screens to suit 90°, 120° & clusters - please
consult your Thinking Works representative.

Lovoc

Worktop Rear Mounted Upholstered Screen

Materials Information

Upholstered Screen

Fabric

- a. Customer Supplied Fabric
- b. Thinking Works Preferred Fabric

Screen Mounts

Powdercoat Aluminium Screen Mount and Extrusion

- a. Noir
- b. Blanc

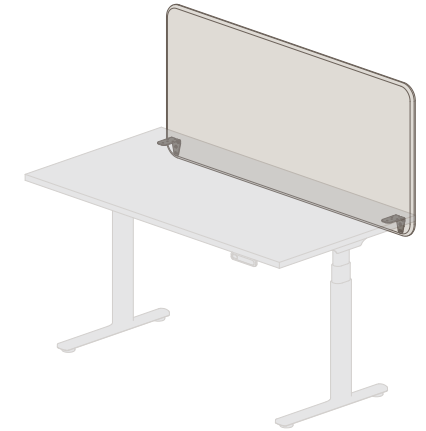
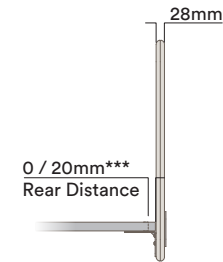
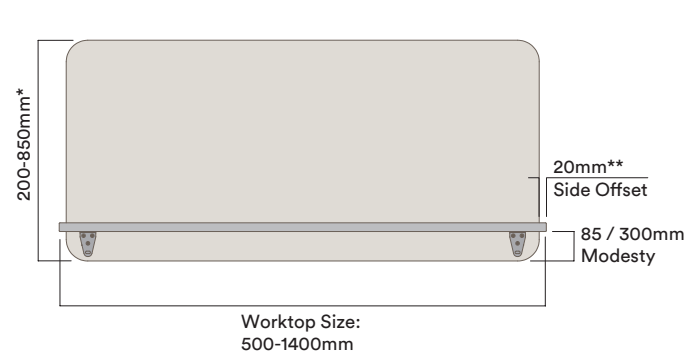
Compatibility:

Single-sided Workstations:
85 / 300mm Modesty

Double-sided Workstations:
85mm Modesty

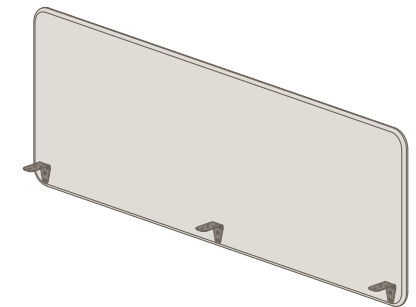
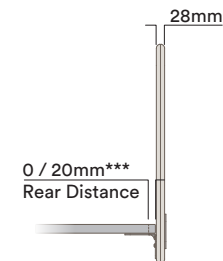
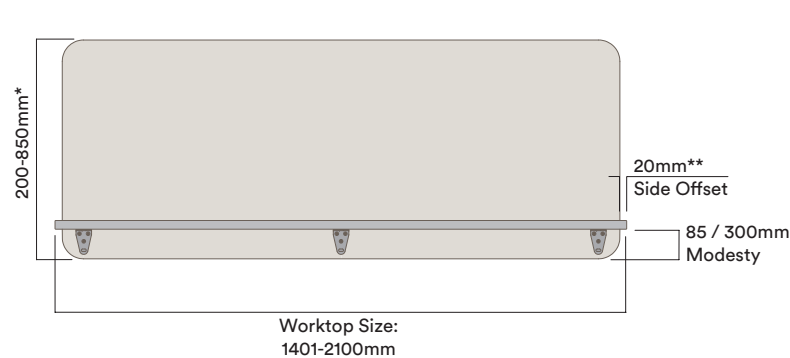
WSA-6041.14 / 6042.14 Series

Worktop Mounted - I-Shape - Lovoc Screen - 2 Brackets



WSA-6041.18 / 6041.21 / 6042.18 / 6042.21 Series

Worktop Mounted - I-Shape - Lovoc Screen - 3 Brackets



*Note:

200-640mm Height Range A
641-800mm Height Range B

**Note:

For custom offset please consult your Thinking Works representative.

***Note:

Screen can be flush to worktop or with 20mm gap.
Compatible with shark nose (see page 13 & 14).

****Note:

Shown sizes are for rectangular Worktops only.
For screens to suit 90°, 120° & clusters - please consult your Thinking Works representative.

Lovoc

Worktop Rear Mounted Upholstered Screen

Materials Information

Upholstered Screen

Fabric

- a. Customer Supplied Fabric
- b. Thinking Works Preferred Fabric

Screen Mounts

Powdercoat Aluminium Screen Mount and Extrusion

- a. Noir
- b. Blanc

Compatibility:

Single-sided Workstations:
85 / 300mm Modesty

Double-sided Workstations:
85mm Modesty

*Note:

200-640mm Height Range A
641-800mm Height Range B

**Note:

For custom offset please consult your Thinking Works representative.

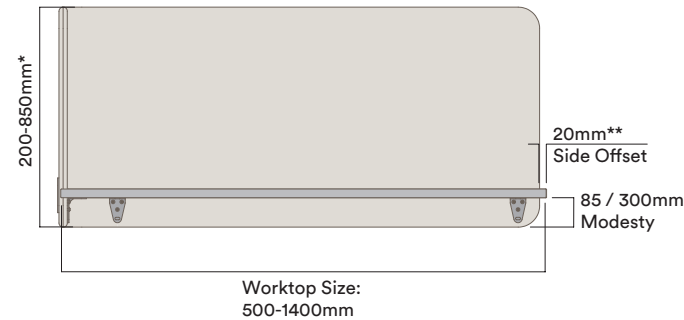
***Note:

Screen can be flush to worktop or with 20mm gap.
Compatible with shark nose (see page 13 & 14).

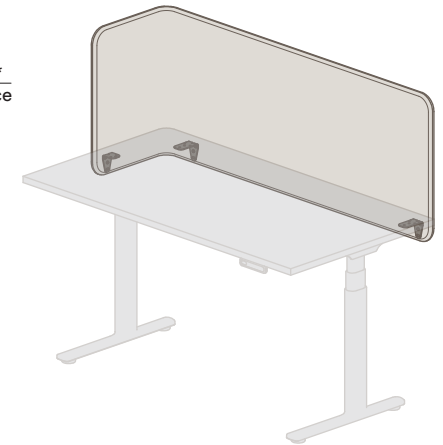
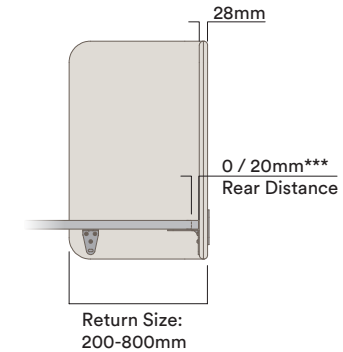
****Note:

Shown sizes are for rectangular Worktops only.
For screens to suit 90°, 120° & clusters - please consult your Thinking Works representative.

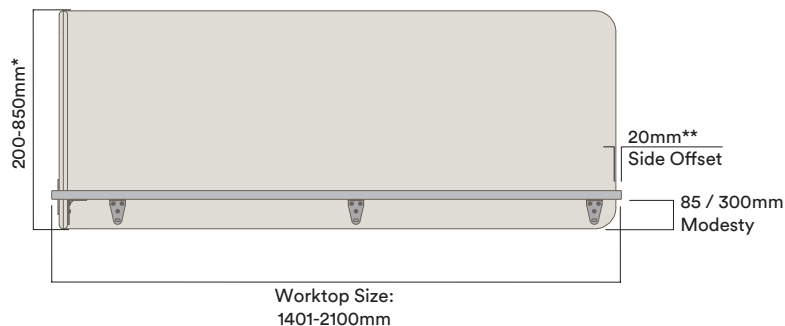
WSA-6141.14 / 6142.14 Series



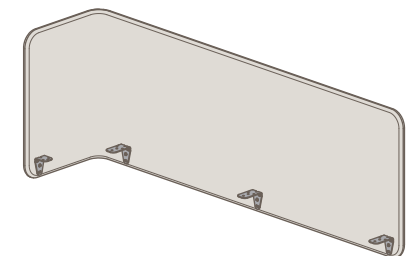
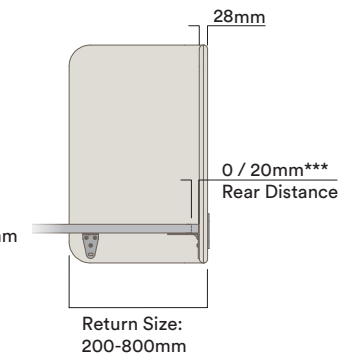
Worktop Mounted - 90° L-Shape LHS - Lovoc Screen - 3 Brackets



WSA-6141.18 / 6141.21 / 6142.18 / 6142.21 Series



Worktop Mounted - 90° L-Shape LHS - Lovoc Screen - 4 Brackets



Lovoc

Worktop Rear Mounted Upholstered Screen

Materials Information

Upholstered Screen

Fabric

- a. Customer Supplied Fabric
- b. Thinking Works Preferred Fabric

Screen Mounts

Powdercoat Aluminium Screen Mount and Extrusion

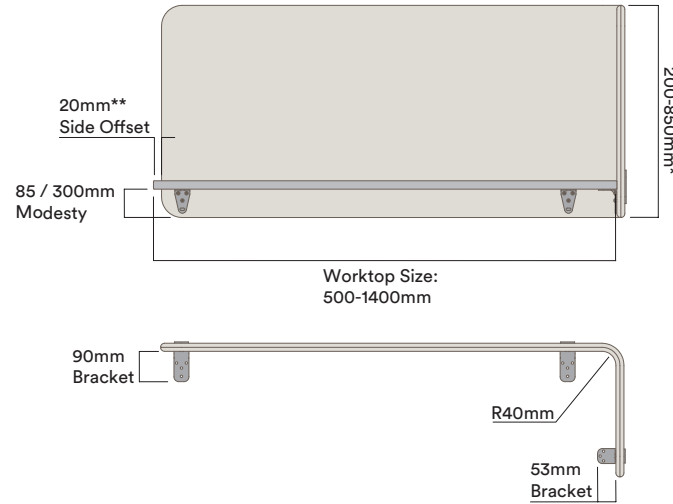
- a. Noir
- b. Blanc

Compatibility:

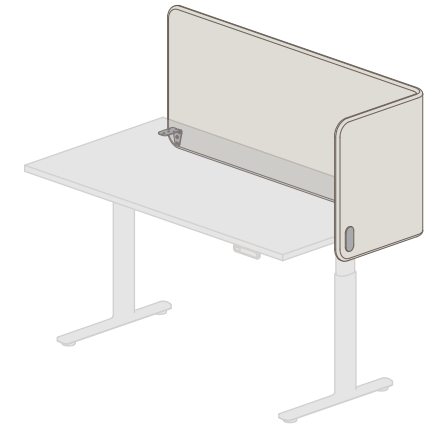
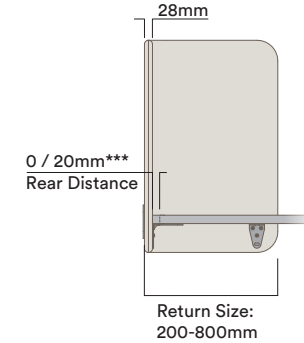
Single-sided Workstations:
85 / 300mm Modesty

Double-sided Workstations:
85mm Modesty

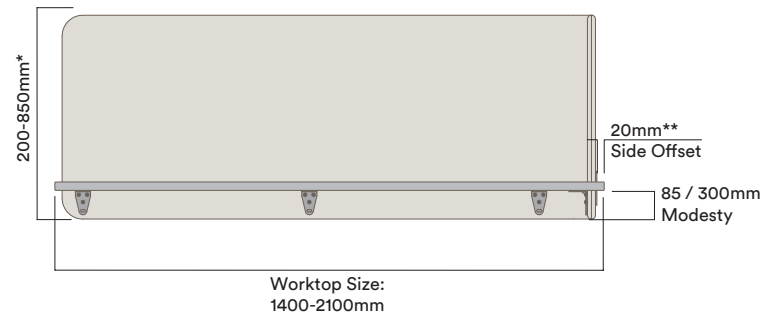
WSA-6241.14 / 6242.14 Series



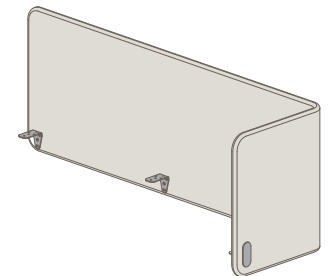
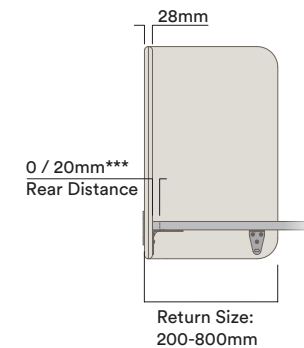
Worktop Mounted - 90° L-Shape RHS - Lovoc Screen - 3 Brackets



WSA-6241.18 / 6241.21 / 6242.18 / 6242.21 Series



Worktop Mounted - 90° L-Shape RHS - Lovoc Screen - 4 Brackets



*Note:

200-640mm Height Range A
641-800mm Height Range B

**Note:

For custom offset please consult your Thinking Works representative.

***Note:

Screen can be flush to worktop or with 20mm gap.
Compatible with shark nose (see page 13 & 14).

****Note:

Shown sizes are for rectangular Worktops only.
For screens to suit 90°, 120° & clusters - please consult your Thinking Works representative.

Lovoc

Worktop Rear Mounted Upholstered Screen

Materials Information

Upholstered Screen

Fabric

- a. Customer Supplied Fabric
- b. Thinking Works Preferred Fabric

Screen Mounts

Powdercoat Aluminium Screen Mount and Extrusion

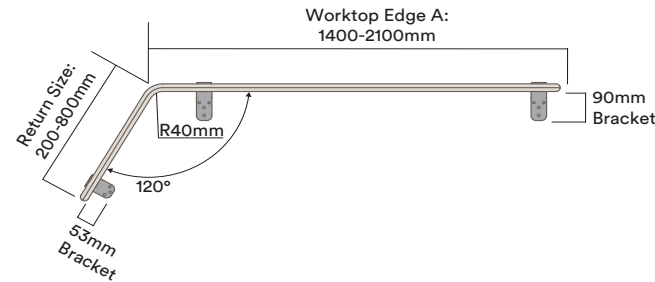
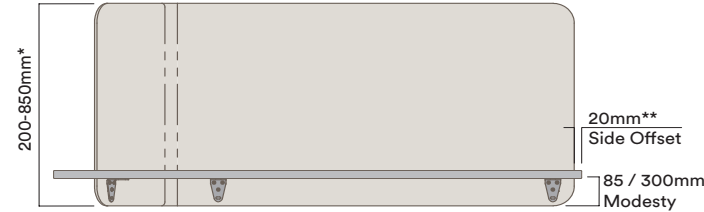
- a. Noir
- b. Blanc

Compatibility:

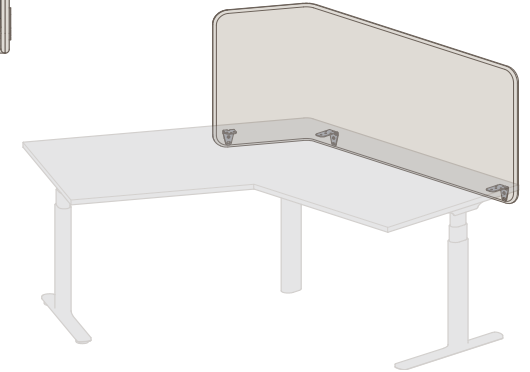
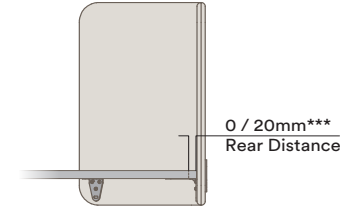
Single-sided Workstations:
85 / 300mm Modesty

Double-sided Workstations:
85mm Modesty

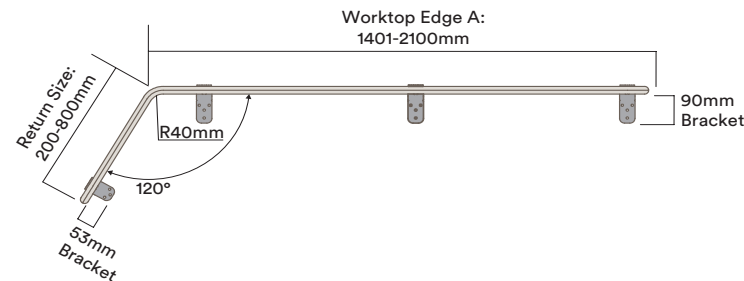
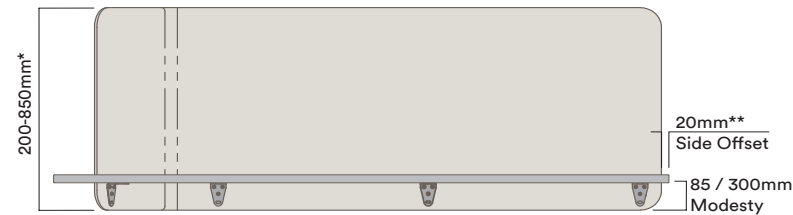
WSA-6541.14 / 6542.14 Series



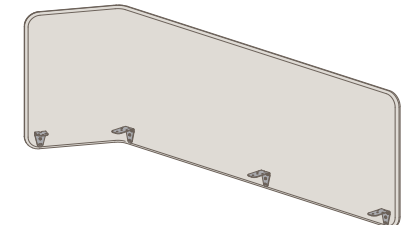
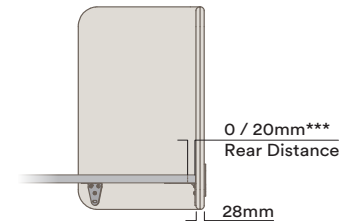
Worktop Mounted - 120° L-Shape LHS - Lovoc Screen - 3 Brackets



WSA-6541.18 / 6541.21 / 6542.18 / 6542.21 Series



Worktop Mounted - 120° L-Shape LHS - Lovoc Screen - 4 Brackets



*Note:

200-640mm Height Range A
641-800mm Height Range B

**Note:

For custom offset please consult your Thinking Works representative.

***Note:

Screen can be flush to worktop or with 20mm gap.
Compatible with shark nose (see page 13 & 14).

****Note:

Shown sizes are for rectangular Worktops only.
For screens to suit 90°, 120° & clusters - please consult your Thinking Works representative.

Lovoc

Worktop Rear Mounted Upholstered Screen

Materials Information

Upholstered Screen

Fabric

- a. Customer Supplied Fabric
- b. Thinking Works Preferred Fabric

Screen Mounts

Powdercoat Aluminium Screen Mount and Extrusion

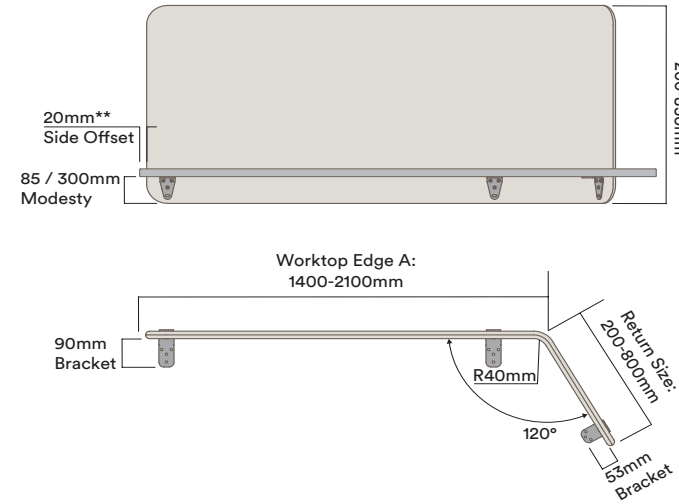
- a. Noir
- b. Blanc

Compatibility:

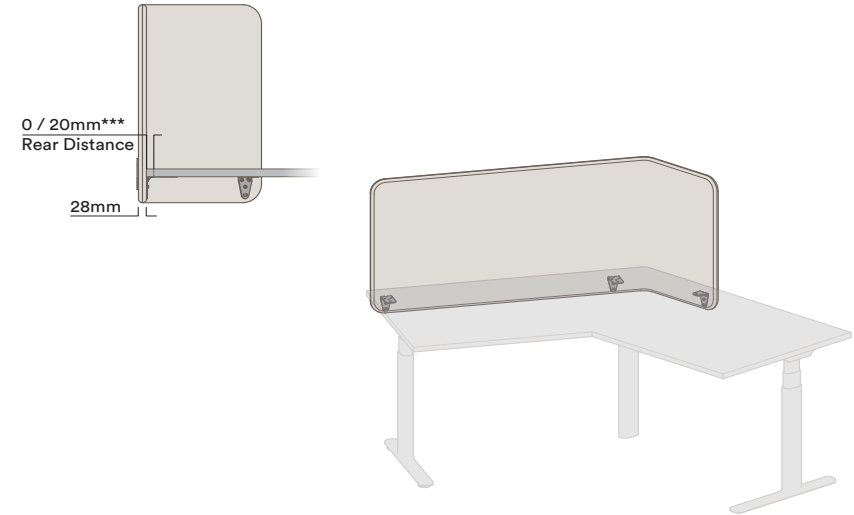
Single-sided Workstations:
85 / 300mm Modesty

Double-sided Workstations:
85mm Modesty

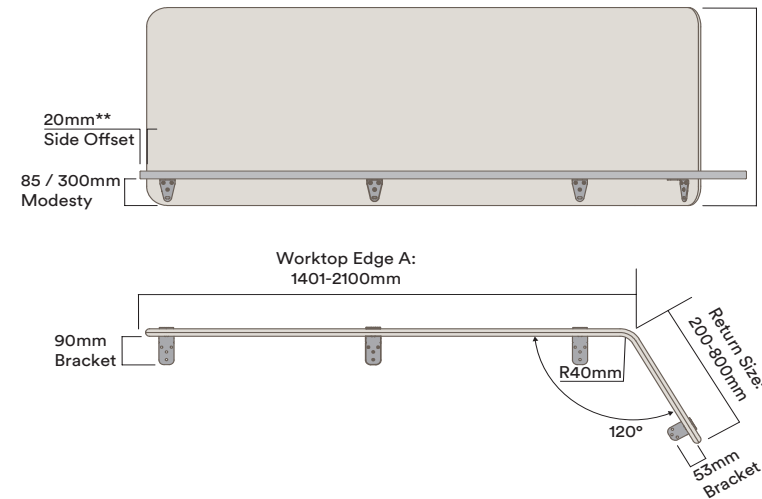
WSA-6641.14 / 6542.14 Series



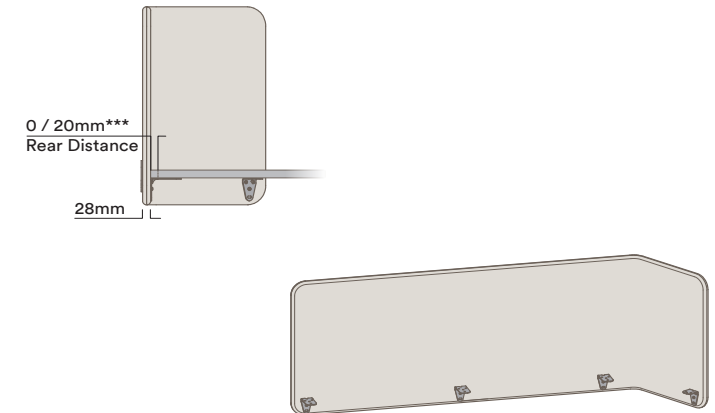
Worktop Mounted - 120° L-Shape RHS - Lovoc Screen - 3 Brackets



WSA-6641.18 / 6641.21 / 6542.18 / 6542.21 Series



Worktop Mounted - 120° L-Shape RHS - Lovoc Screen - 4 Brackets



*Note:

200-640mm Height Range A
641-800mm Height Range B

**Note:

For custom offset please consult your Thinking Works representative.

***Note:

Screen can be flush to worktop or with 20mm gap.
Compatible with shark nose (see page 13 & 14).

****Note:

Shown sizes are for rectangular Worktops only.
For screens to suit 90°, 120° & clusters - please consult your Thinking Works representative.

Lovoc

Worktop Rear Mounted Upholstered Screen

Materials Information

Upholstered Screen

Fabric

- a. Customer Supplied Fabric
- b. Thinking Works Preferred Fabric

Screen Mounts

Powdercoat Aluminium Screen Mount and Extrusion

- a. Noir
- b. Blanc

Compatibility:

Single-sided Workstations:
85 / 300mm Modesty

Double-sided Workstations:
85mm Modesty

***Note:**

200-640mm Height Range A
641-800mm Height Range B

****Note:**

For custom offset please consult your Thinking Works representative.

*****Note:**

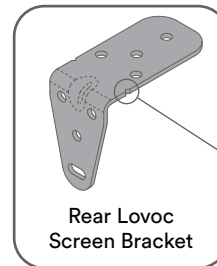
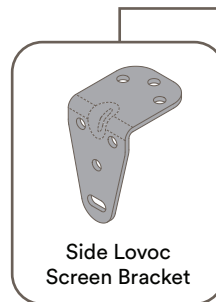
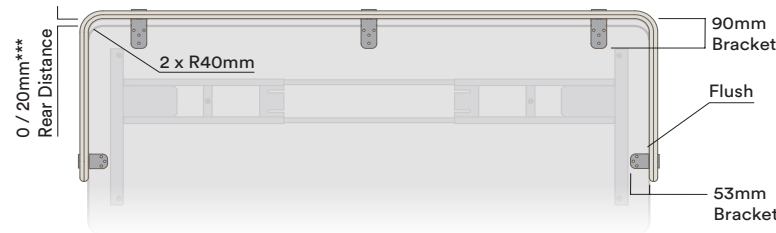
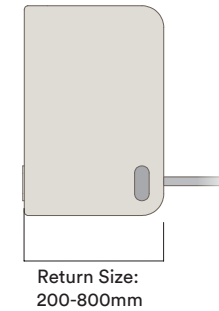
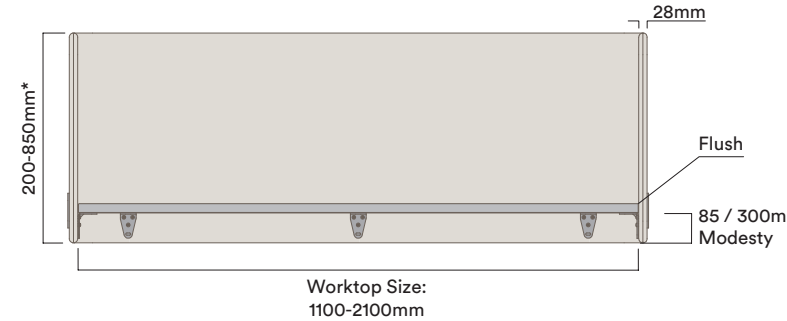
Screen can be flush to worktop or with 20mm gap.
Compatible with shark nose (see page 13 & 14).

******Note:**

Shown sizes are for rectangular Worktops only.
For screens to suit 90°, 120° & clusters - please consult your Thinking Works representative.

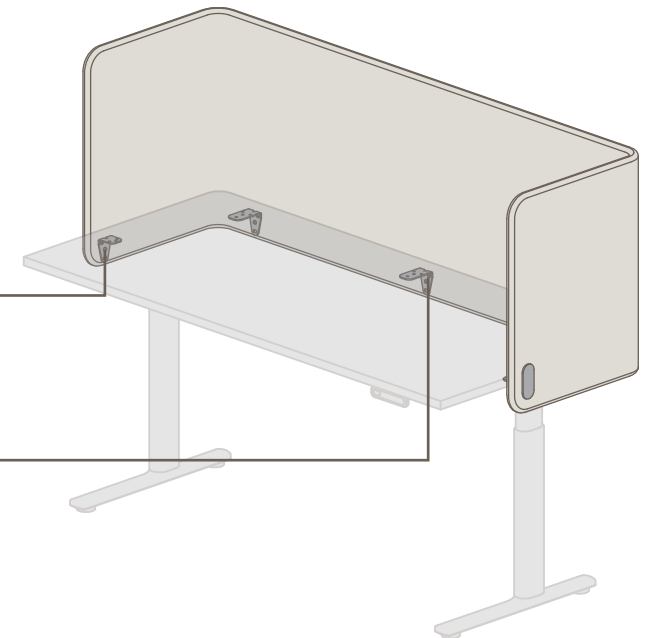
WSA-6341 / WSA-6342 Series

Worktop Mounted - U-Shape - Lovoc Screen - 5 Brackets



Notch indicates worktop position for 20mm gap

Shorter side bracket prevents interference with desk frame.
Applies to all rear worktop mounted Lovoc Screens.



Lovoc

Rear Worktop Mounting Positions

Materials Information

Upholstered Screen

Fabric

- a. Customer Supplied Fabric
- b. Thinking Works Preferred Fabric

Screen Mounts

Powdercoat Aluminium Screen Mount and Extrusion

- a. Noir
- b. Blanc

Information:

Rear mounted Lovoc can be flush to worktop or with 20mm at rear. All brackets are suitable for 10mm x 60° shark nose edge. Applies to all rear worktop mounted LV screens.

*Note:

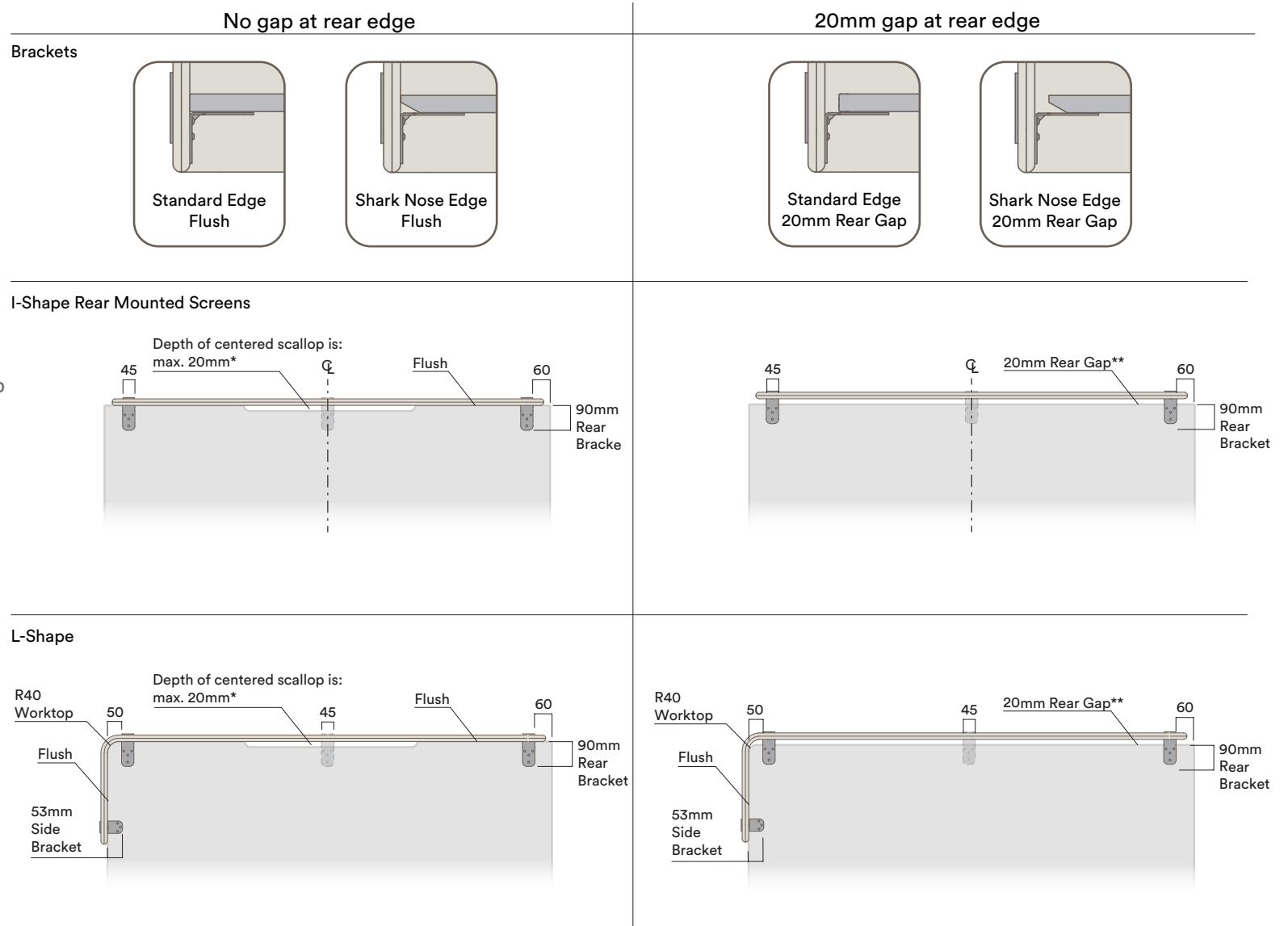
Deeper scallops are possible but need to be positioned off center to avoid rear mounting brackets.

Small size screens (500-1400mm length) do not have center bracket and can accommodate deeper centered scallops.

**Note:

On double sided workstations the position of the worktop needs to come forward by 20mm to make room for rear mounted screens with 20mm gap.

Lovoc rear worktop mounted bracket positions



Lovoc

Rear Worktop Mounting Positions

Materials Information

Upholstered Screen

Fabric

- a. Customer Supplied Fabric
- b. Thinking Works Preferred Fabric

Screen Mounts

Powdercoat Aluminium Screen Mount and Extrusion

- a. Noir
- b. Blanc

Information:

Rear mounted Lovoc can be flush to worktop or with 20mm at rear. All brackets are suitable for 10mm x 60° shark nose edge. Applies to all rear worktop mounted LV screens.

*Note:

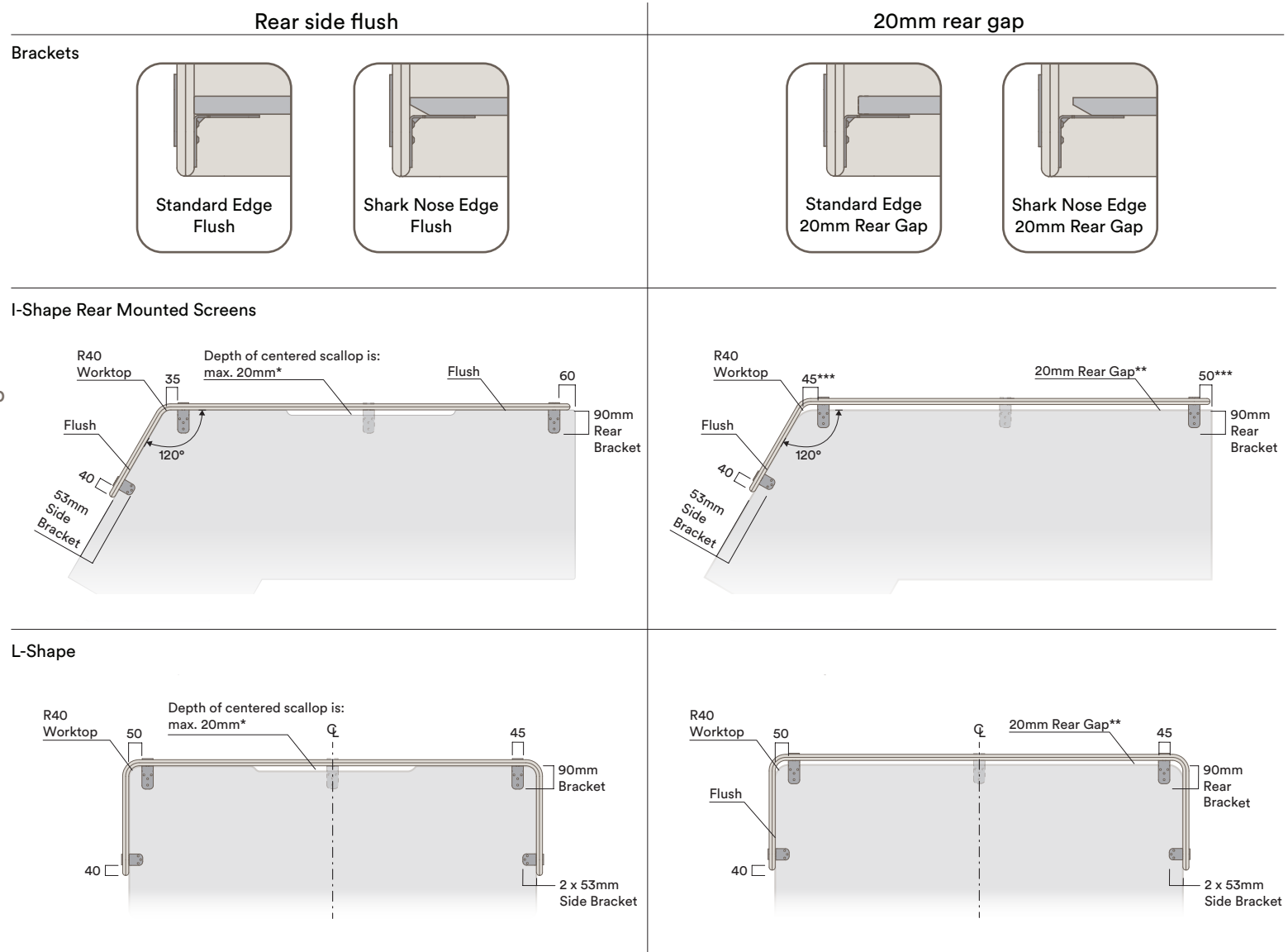
Deeper scallops are possible but need to be positioned off center to avoid rear mounting brackets.

Small size screens (500-1400mm length) do not have center bracket and can accommodate deeper centered scallops.

**Note:

On double sided workstations the position of the worktop needs to come forward by 20mm to make room for rear mounted screens with 20mm gap.

Lovoc rear worktop mounted bracket positions



Lovoc

Frame Rear Mounted Upholstered Screen

Materials Information

Upholstered Screen

Fabric

- a. Customer Supplied Fabric
- b. Thinking Works Preferred Fabric

Screen Mounts

Powdercoat Aluminium Screen Mount and Extrusion

- a. Noir
- b. Blanc

Compatibility:

WSA-6060 is compatible with:

- a. Ovation - Fixed - single-sided
- b. Ovation - Electric - single-sided

WSA-6010 is compatible with:

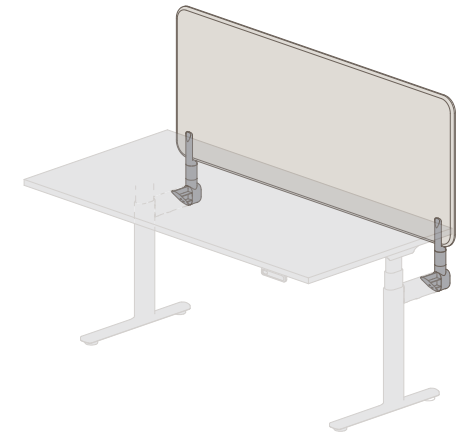
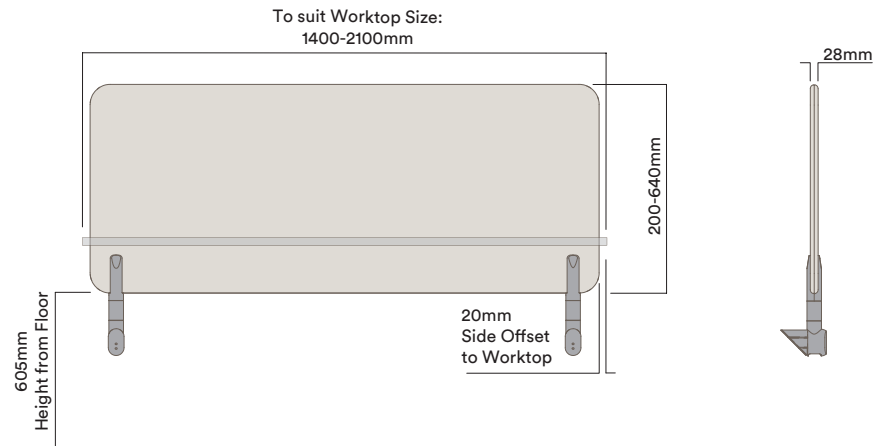
- a. Ovation - Fixed - double-sided
- b. Ovation - Electric - double-sided
- c. Bambusa Stix - Electric - double-sided

*Note:

Shown sizes are for rectangular Worktops only. For screens to suit 90°, 120° & clusters - please consult your Thinking Works representative.

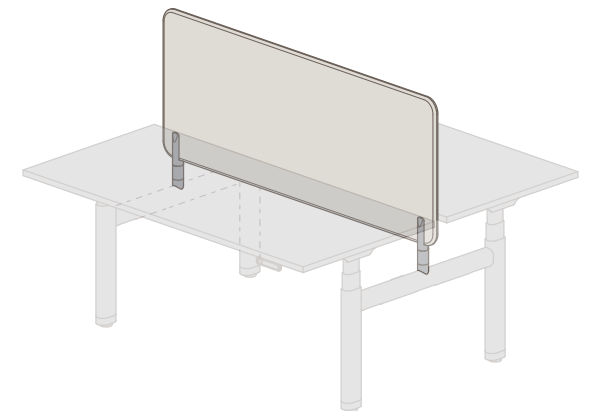
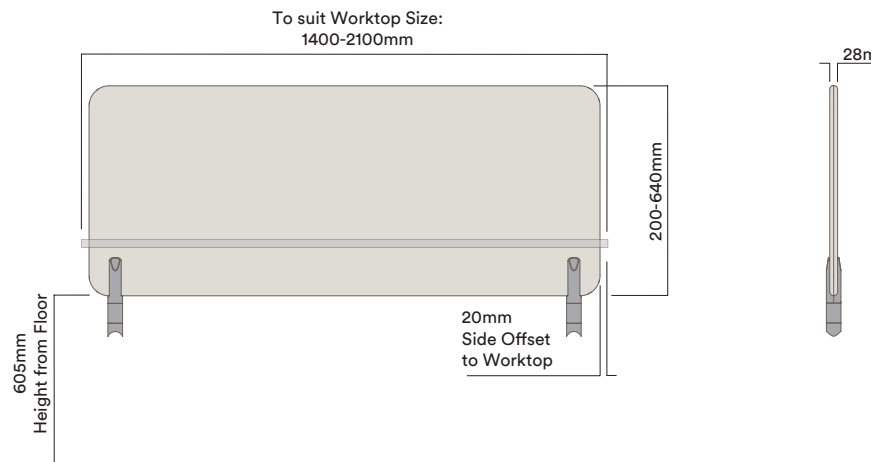
WSA-6060 Series

Frame Mounted - Single-Sided - Lovoc Screen



WSA-6010 Series

Frame Mounted - Single-Sided - Lovoc Screen



Lovoc

Frame Rear Mounted Upholstered Screen

Materials Information

Upholstered Screen

Fabric

- a. Customer Supplied Fabric
- b. Thinking Works Preferred Fabric

Screen Mounts

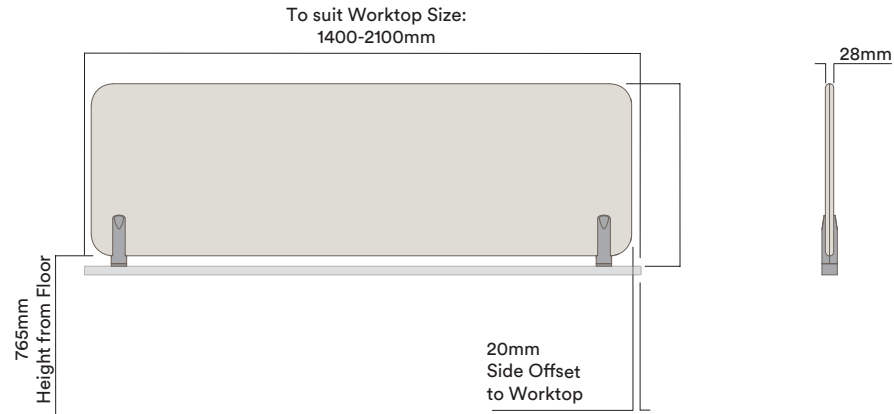
Powdercoat Aluminium Screen Mount and Extrusion

- a. Noir
- b. Blanc

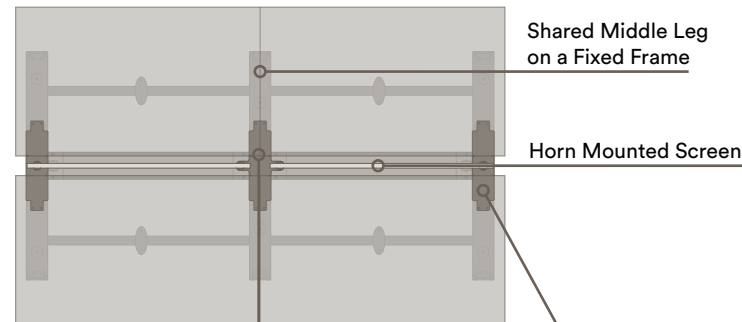
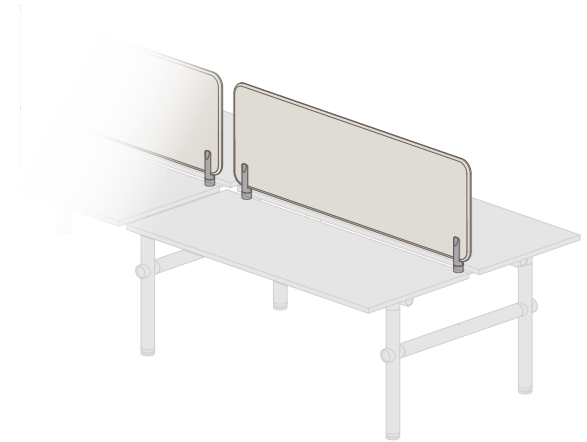
Compatible with:

- a. Bambusa Stix - Fixed - double-sided

WSA-6050 Series



Stix Top Horn Mounted - Double-Sided - Lovoc Screen



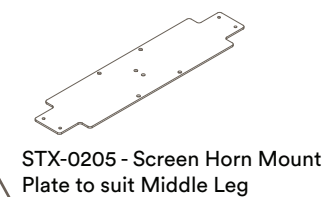
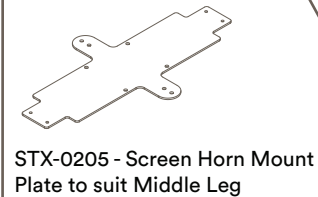
PRODUCT CODE	STX-0204 SCREEN HORN MOUNT PLATE SUITS END LEG	STX-0205 SCREEN HORN MOUNT PLATE SUITS MIDDLE LEG
WSA-5022	x 2	x 1
WSA-5023	x 2	x 2
WSA-5024	x 2	x 3
WSA-5025	x 2	x 4
WSA-5026	x 2	x 5

*Note:

WSA-6050- may require horn mounting plates.

**Note:

Shown sizes are for rectangular Worktops only.
For screens to suit 90°, 120° & clusters - please
consult your Thinking Works representative.



Lovoc Custom Services

Information

Combine

Combine multiple standard screens with 90° or 120° - or without returns to create tailored privacy screen solutions.

Change

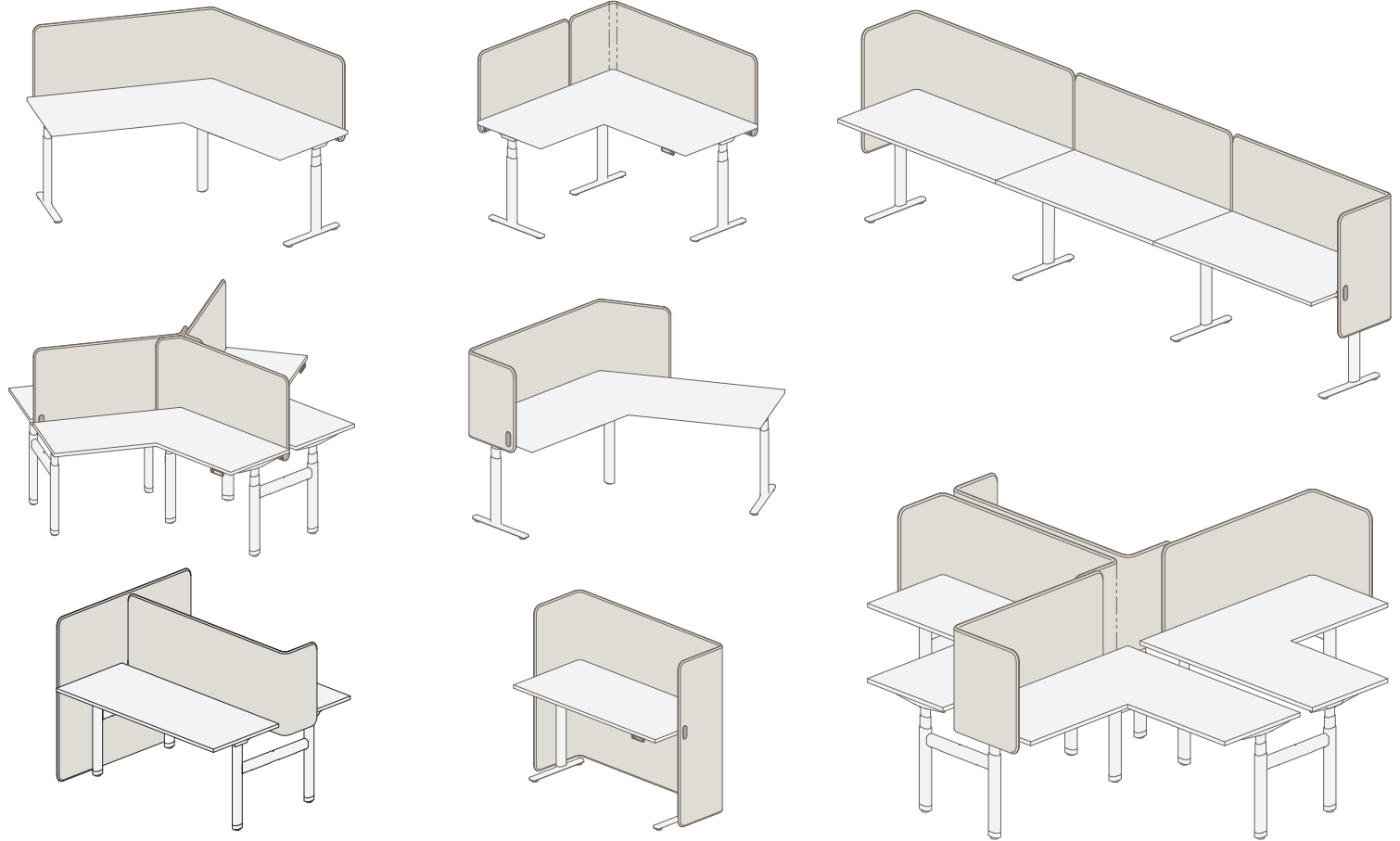
Lovoc is a modular system that allows custom heights and length.

Choose

Most upholstery fabrics are compatible with Lovoc in some instances the fabric requires foam backing.

To create custom shapes, sizes or colours - please consult your Thinking Works representative for more information.

Combinations of standard screens and custom solutions





Specification

If you would like a sample set of any of our finishes, please call us on 61 (0)2 9726 7177 or e-mail at sales@thinkingw.com.

Due to our policy of continuous product development, specifications and finishes may change without prior notice.

Sustainability Policy

We realise the importance of responsible business practices and have in place numerous product and company sustainability certifications. We would encourage you to download our annual Sustainability Report from the Thinking Works website to get a full overview of our sustainability program.

Thinking Works
© Copyright 2021
All right reserved

Thinking Works
25 Helles Avenue
Moorebank
New South Wales 2170

www.thinkingw.com
61 (0)2 9726 7177
sales@thinkingw.com