



# Okidoki

Specification Guide

# Okidoki

Who says you can't mix  
business with pleasure?

Okidoki could be  
brightening the office  
one day, then bringing  
its casual cool to your  
home the next. In any  
environment, its cheeky  
personality is always  
on display.

# Okidoki

**Stools**

**5 – 9**



**Bench Seats**

**10 – 11**



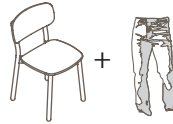
**Chairs**

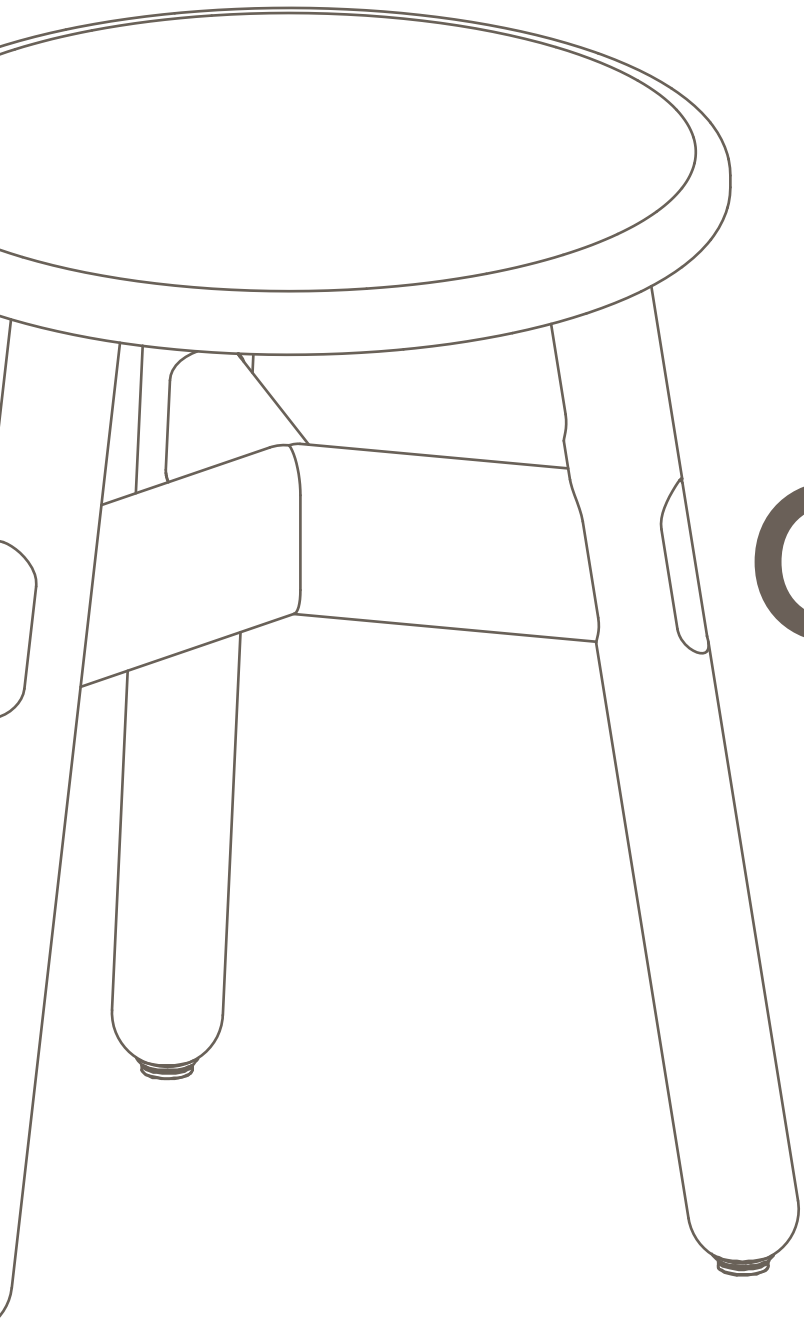
**12 – 13**



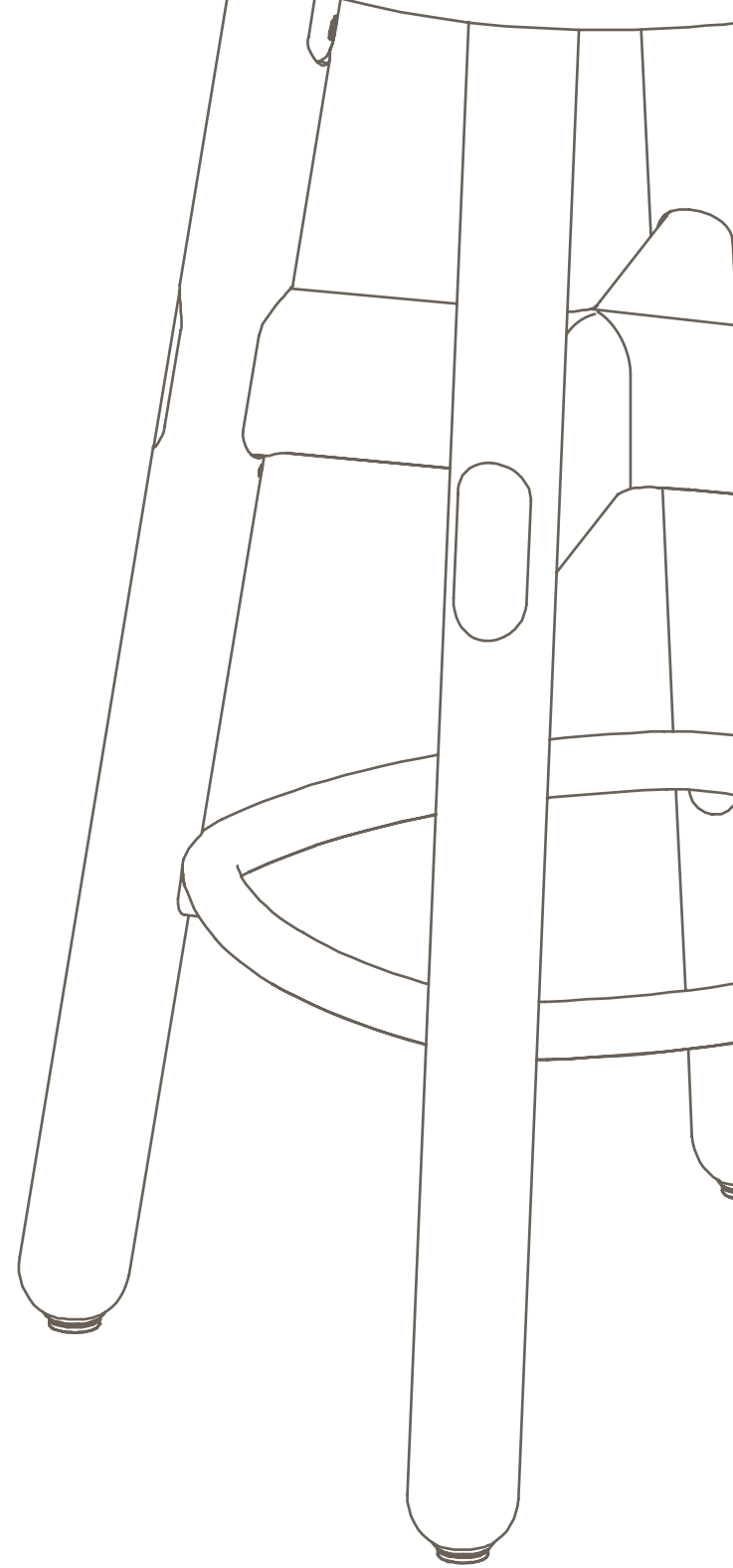
**Okidoki Denim**

**14 – 15**





**Okidoki**



# Stools Finishes

Featuring solid timber legs available in Ash, Walnut or painted in our seasonal finishes, the timber colour range is designed to either complement or contrast the steel and aluminium framework.

## 1. Seat and Legs

Featuring timber legs available in Ash, Walnut or painted in our seasonal finishes with exposed timber grain, the legs can be finished to either compliment or contrast the aluminium framework and footrest.



## 2. Frame

Okidoki aluminium frame is available in our current season powdercoat colours listed. Custom colours are also available.

## 3. Upholstered Seat Pad

Upholstered seat pads are an optional addition to the Okidoki Stool, bringing a softness and warmth to the design.

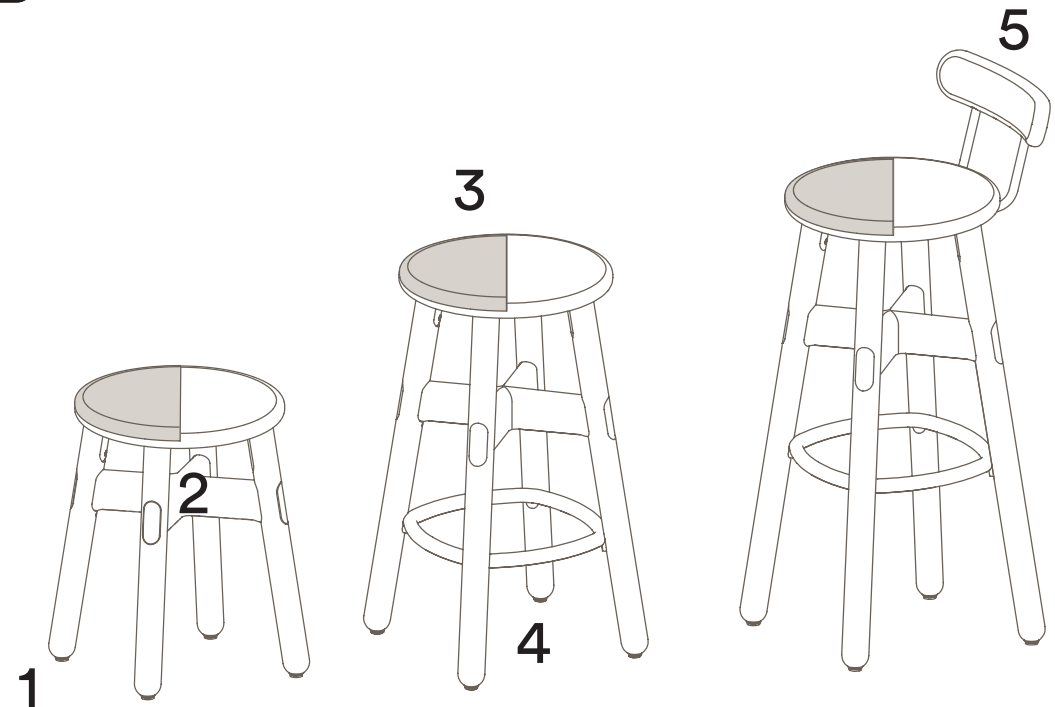


## 4. Ring Footrest

A four sided aluminium footrest available in our current season powdercoat and custom colours.

## 5. Backrest

Available in Ash and Walnut as well as solid colour with exposed timber grain to match our current season powdercoat colours.



Colours are representative only, please check with your Thinking Works consultant to view samples of any specific colour.

# Stools

## Materials Information

### Seat and Legs

Timber

- a. Ash - Standard
- b. Walnut
- c. Seasonal solid colour with timber grain

### Frame Finish

Powdercoat Steel & Aluminium Frame

- a. Blanc (standard)
- b. Noir
- c. Double Cream
- d. Pink Salt
- e. Nocturnelle
- f. Morello
- g. Scotland Sky
- h. Green Smoke
- i. Moonshine
- j. Byron Blue
- k. Axel

### Seat Pad

Upholstered Seat Pad

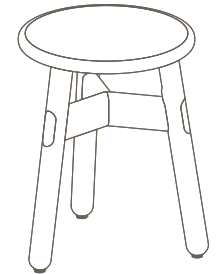
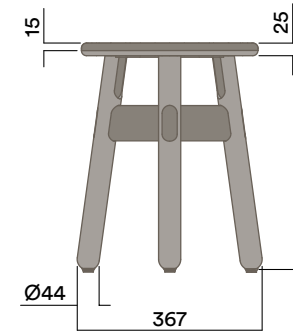
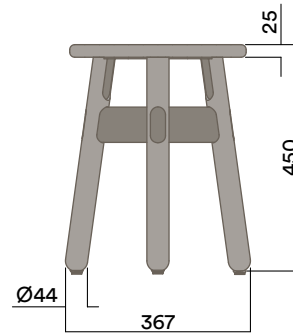
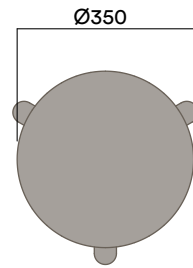
Customer Specified Fabric

Maximum Load 1 100kg  
Seats 1

OKS-1000

3 Leg Low Stool

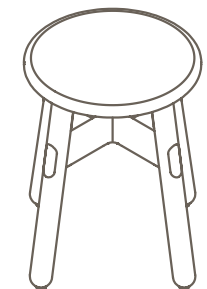
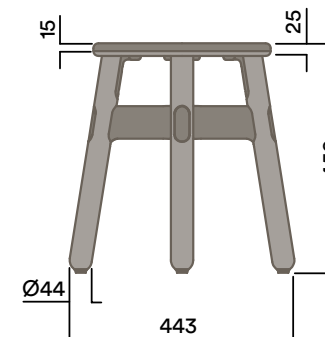
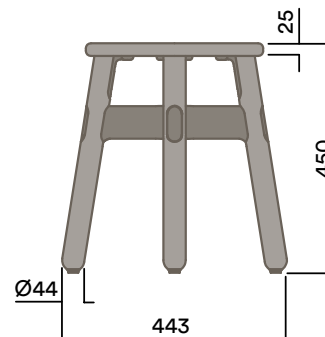
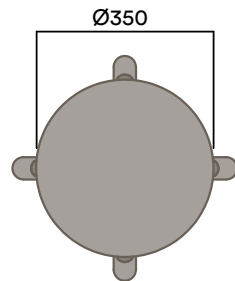
Upholstered Seat Pad



OKS-1040

4 Leg Low Stool

Upholstered Seat Pad



# Stools with Ring Footrest

## Materials Information

### Seat and Legs

Timber

- a. Ash - Standard
- b. Walnut
- c. Seasonal solid colour with timber grain

### Frame Finish

Powdercoat Steel, Aluminium Frame & Footrest

- a. Blanc (standard)
- b. Noir
- c. Double Cream
- d. Pink Salt
- e. Nocturnelle
- f. Morello
- g. Scotland Sky
- h. Green Smoke
- i. Moonshine
- j. Byron Blue
- k. Axel

### Seat Pad

Upholstered Seat Pad

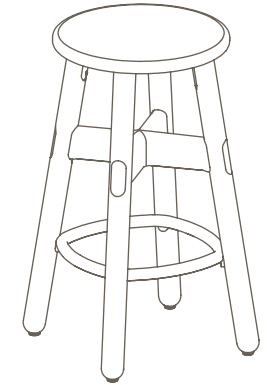
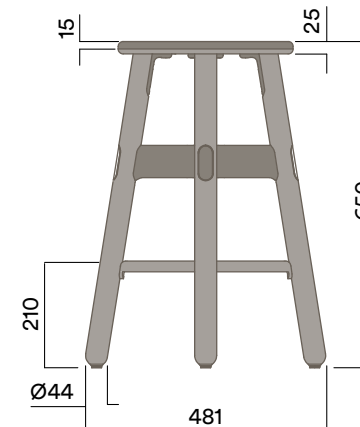
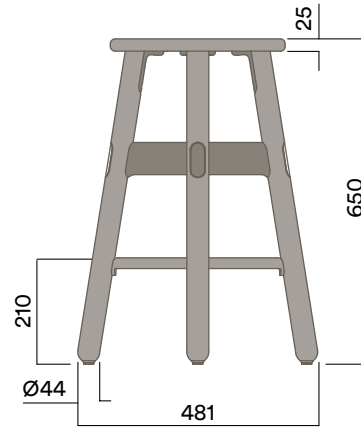
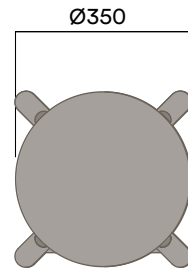
Customer Specified Fabric

Maximum Load 1 100kg  
Seats 1

OKS-1400

Mid Stool

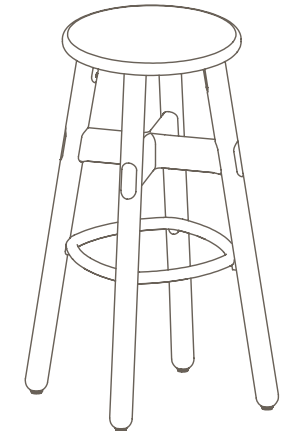
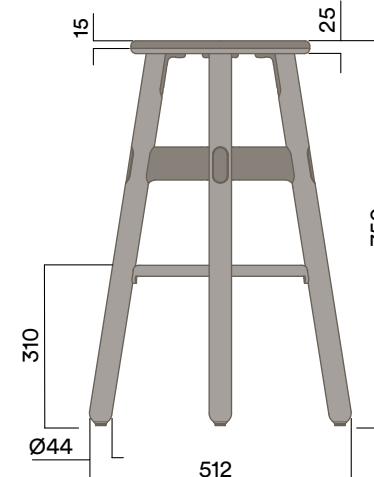
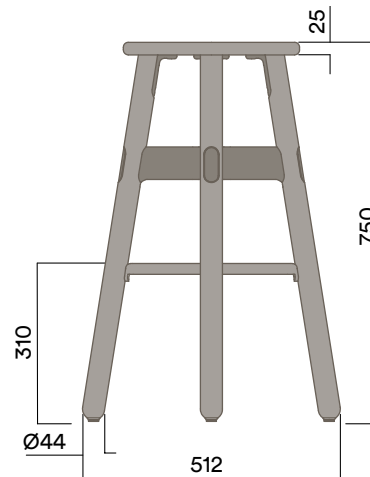
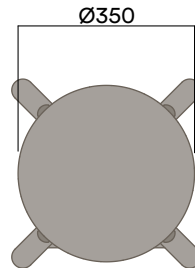
Upholstered Seat Pad



OKS-1600

High Stool

Upholstered Seat Pad



# Stools with Backrest

## Materials Information

OKS-1070

Timber Backrest for retro fitting\*

## Seat and Legs

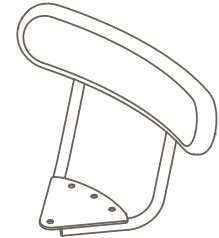
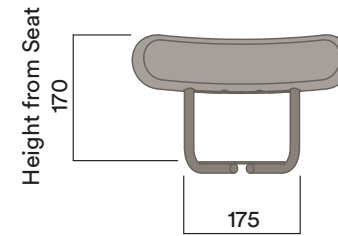
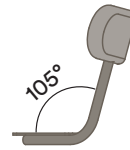
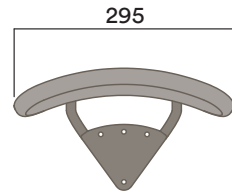
Timber

- a. Ash - Standard
- b. Walnut
- c. Seasonal solid colour with timber grain

## Frame Finish

Powdercoat Steel & Aluminium Frame

- a. Blanc (standard)
- b. Noir
- c. Double Cream
- d. Pink Salt
- e. Nocturnelle
- f. Morello
- g. Scotland Sky
- h. Green Smoke
- i. Moonshine
- j. Byron Blue
- k. Axel



OKS-1040-1

4 Leg Low Stool + Backrest

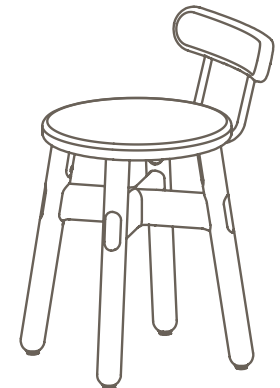
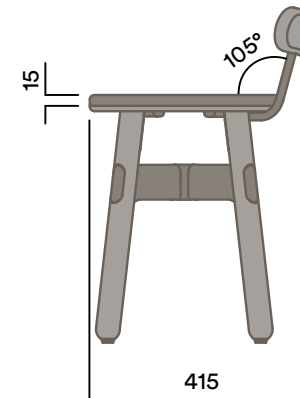
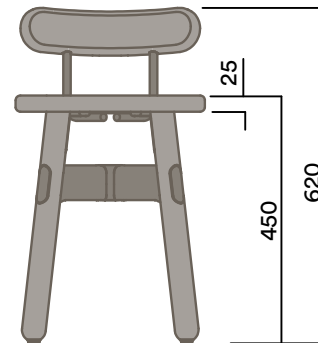
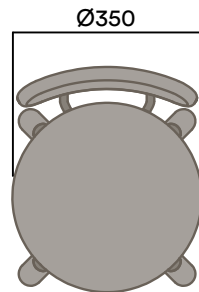
Upholstered Seat Pad + Backrest\*\*

## Seat Pad

Upholstered Seat Pad

Customer Specified Fabric

Backrest is supplied loose and requires assembly to Okidoki stool on site.



Maximum Load	1	100kg
Seats	1	

\* Retro fitting only available for non-upholstered stool seats

\*\* Longer lead-time applies to upholstered stools & backrest in Walnut finish



# Stools with Backrest and Ring Footrest

## Materials Information

### Seat and Legs

Timber

- a. Ash - Standard
- b. Walnut
- c. Seasonal solid colour with timber grain

### Frame Finish

Powdercoat Steel, Aluminium Frame & Footrest

- a. Blanc (standard)
- b. Noir
- c. Double Cream
- d. Pink Salt
- e. Nocturnelle
- f. Morello
- g. Scotland Sky
- h. Green Smoke
- i. Moonshine
- j. Byron Blue
- k. Axel

### Seat Pad

Upholstered Seat Pad

Customer Specified Fabric

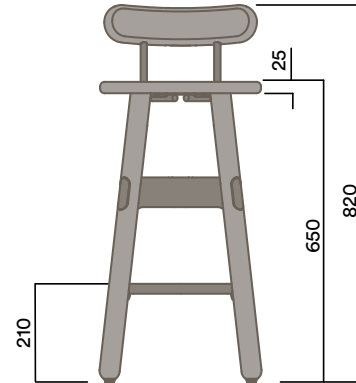
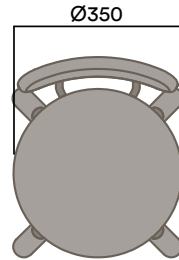
**Backrest is supplied loose and requires assembly to Okidoki stool on site.**

Maximum Load 1 100kg  
Seats 1

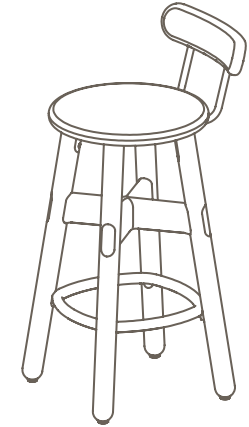
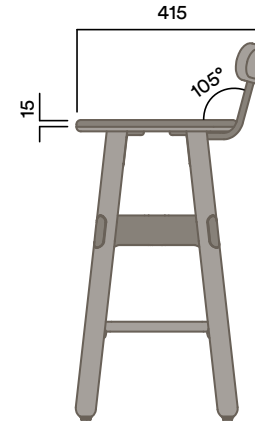
\* Longer lead-time applies to upholstered stools & backrest in Walnut finish

OKS-1400-1

Mid Stool + Backrest

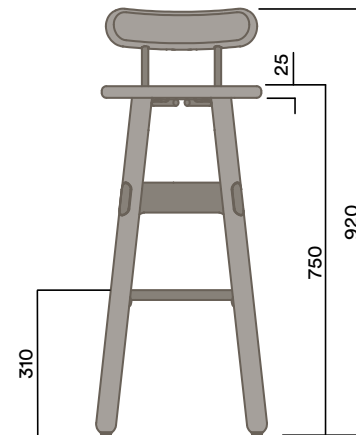
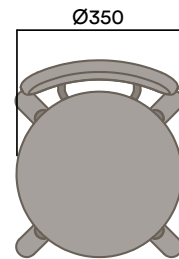


Upholstered Seat Pad + Backrest\*

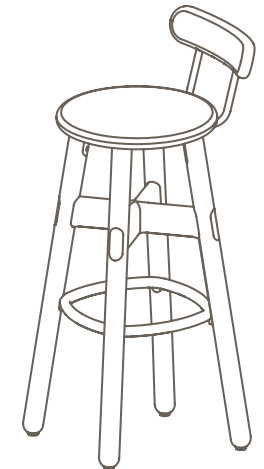
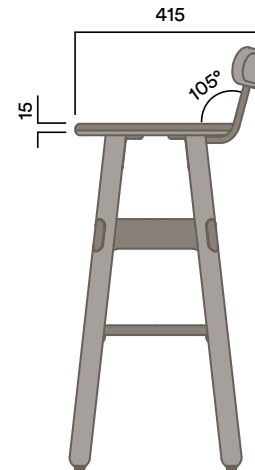


OKS-1600-1

High Stool + Backrest



Upholstered Seat Pad + Backrest\*



# Bench Seats Finishes

With customisable timber staining, and multiple powder coat options, the Okidoki Bench Seat matches any environment.

## 1. Bench and Legs

Featuring timber legs available in Ash, Walnut or painted in our seasonal finishes with exposed timber grain, the legs can be finished to either compliment or contrast the steel and aluminium framework and footrest.

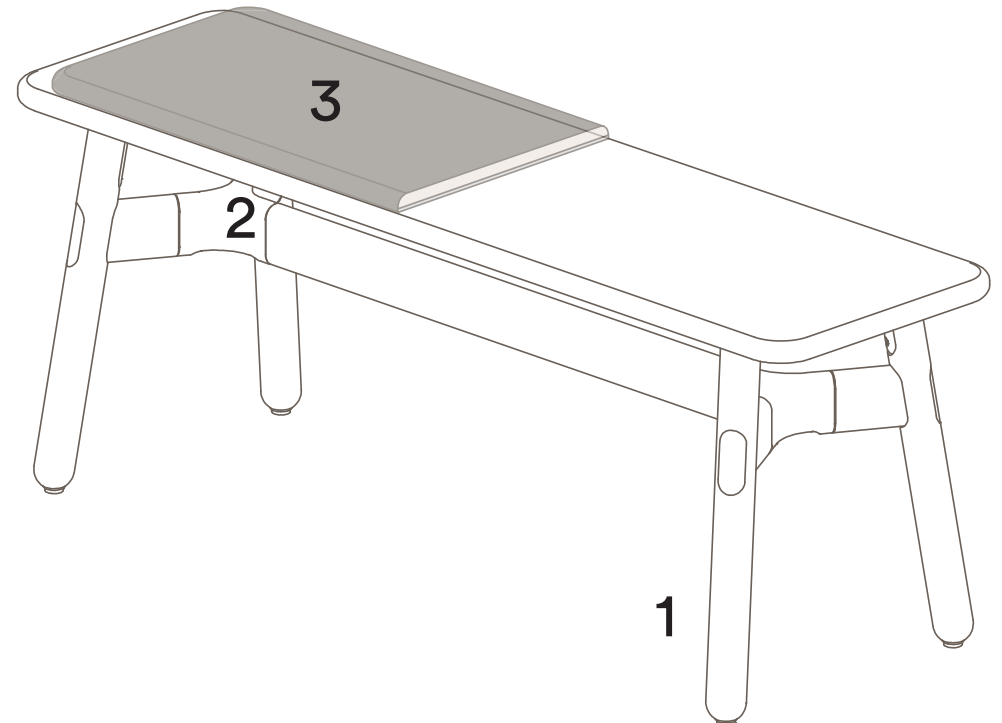


## 2. Frame Finishes

Okidoki steel and aluminium frame is available in our current season powdercoat colours listed. Custom colours are also available.

## 3. Upholstered Seat Pad

Upholstered seat pads are an optional addition to the Okidoki Bench, bringing a softness and warmth to the design.



Colours are representative only, please check with your Thinking Works consultant to view samples of any specific colour.

# Bench Seats

## Materials Information

### Bench and Legs

Timber

- a. Ash - Standard
- b. Walnut
- c. Black solid colour with timber grain
- d. White solid colour with timber grain
- e. Seasonal solid colour with timber grain

### Frame Finish

Powdercoat Steel & Aluminium Frame

- a. Blanc (standard)
- b. Noir
- c. Double Cream
- d. Pink Salt
- e. Nocturnelle
- f. Morello
- g. Scotland Sky
- h. Green Smoke
- i. Moonshine
- j. Byron Blue
- k. Axel

### Seat Pad

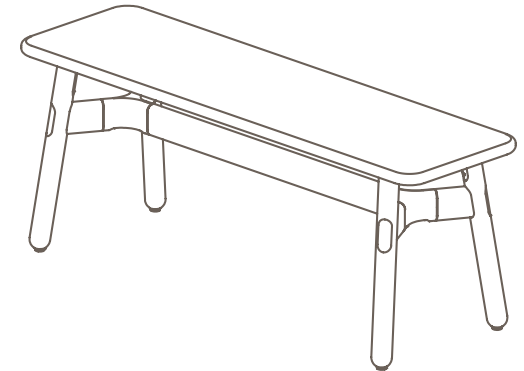
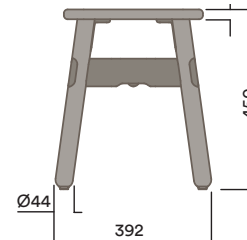
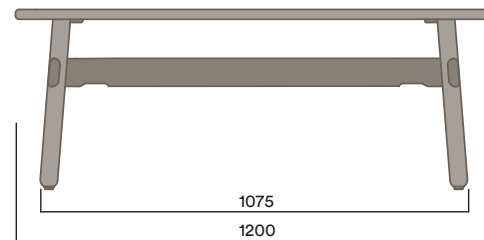
Upholstered Seat Pad

Customer Specified Fabric

Maximum Load 200kg  
Seats 2

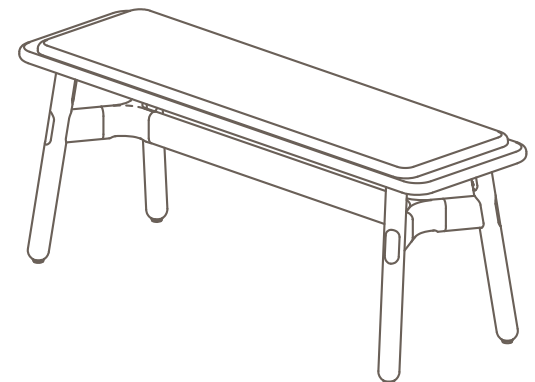
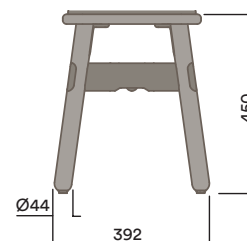
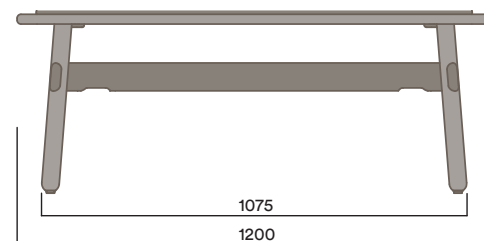
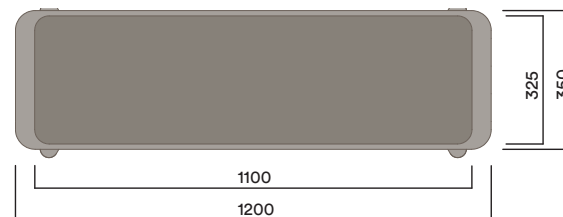
OKS-1080

Okidoki Bench



OKS-1081

Upholstered Okidoki Bench



# Chairs Finishes

With customisable timber staining, and multiple powder coat options, the Okidoki Chair matches any environment.

## 1. Chair

Featuring timber legs available in Ash, Walnut or painted in our seasonal finishes with exposed timber grain, the legs can be finished to either compliment or contrast the steel and aluminium framework and footrest.

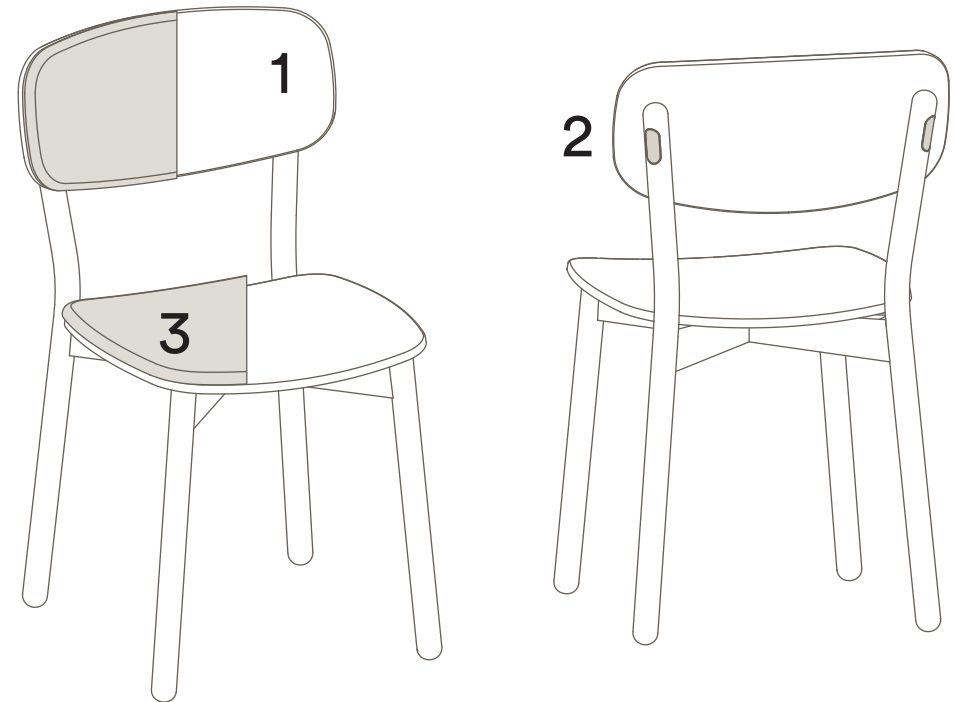


## 2. Dress Cap

Okidoki aluminium dress cap is available in our current season powdercoat colours listed. Custom colours are also available.

## 3. Upholstered Seat Pad

Upholstered seat pads are an optional addition to the Okidoki Chair, bringing a softness and warmth to the design.



Colours are representative only, please check with your Thinking Works consultant to view samples of any specific colour.

# Chairs

## Materials Information

### Seat and Legs

Timber

- a. Ash - Standard
- b. Walnut
- c. Seasonal solid colour with timber grain

### Dress Cap Finish

Aluminium Dress Cap

- a. Blanc (standard)
- b. Noir
- c. Double Cream
- d. Pink Salt
- e. Nocturnelle
- f. Morello
- g. Scotland Sky
- h. Green Smoke
- i. Moonshine
- j. Byron Blue
- k. Axel

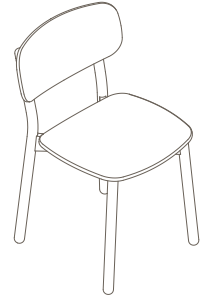
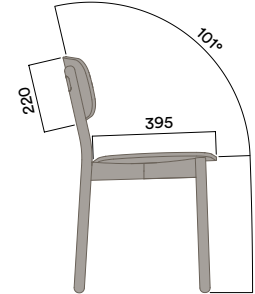
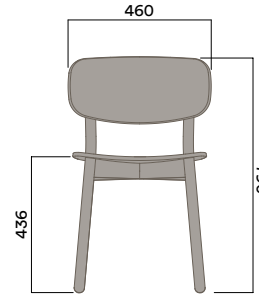
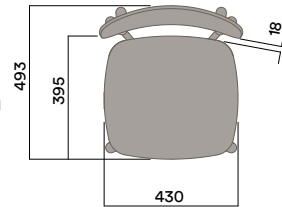
### Back & Seat Pad

Upholstered Seat Pad

Customer Specified Fabric

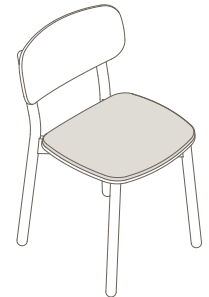
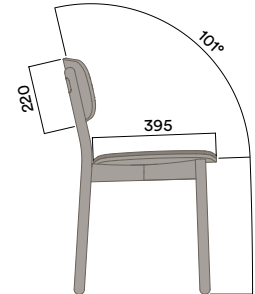
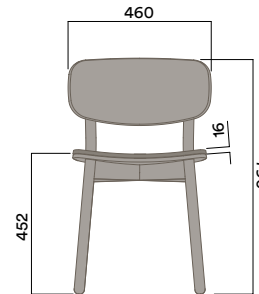
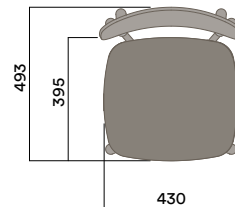
OKS-4000

Chair



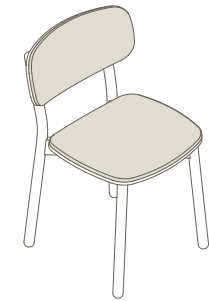
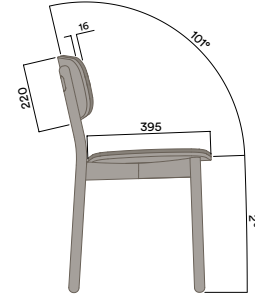
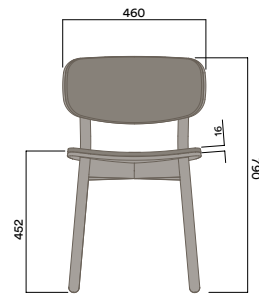
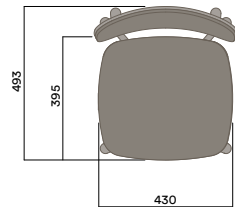
OKS-4011 / OKS-4012

Chair - Seat Pad



OKS-4021 / OKS-4022

Chair - Back and Seat Pad



Maximum Load  
Seats

100kg  
1

# Okidoki Denim

## Beautiful Designs from Waste Materials

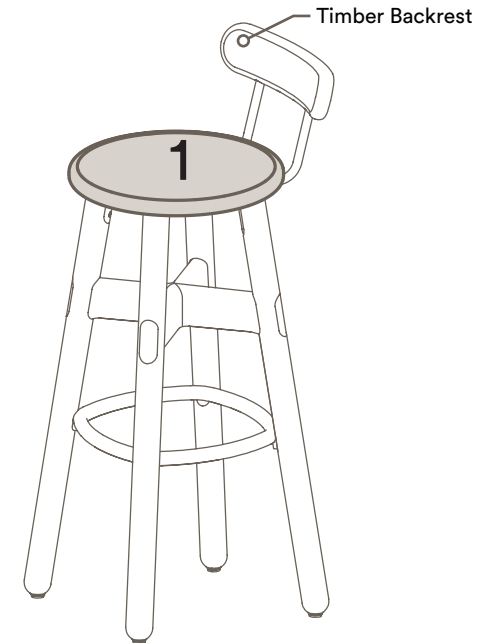
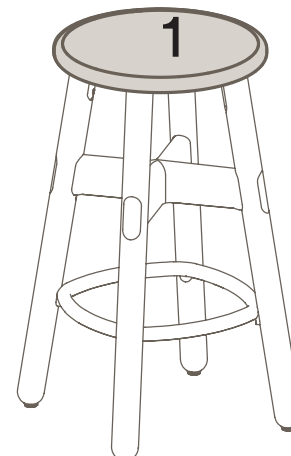
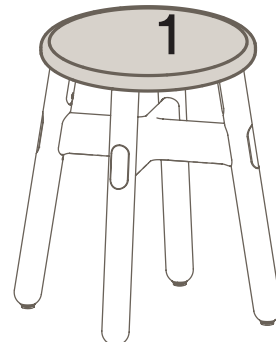
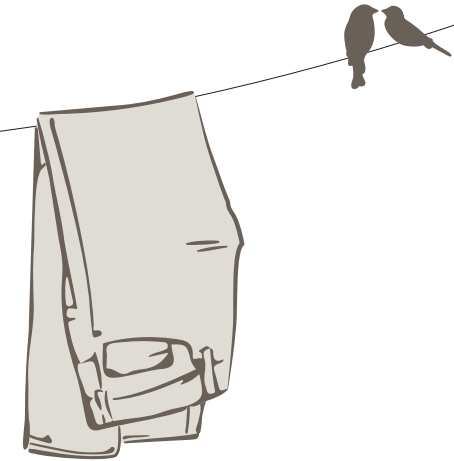
Okidoki Denim stools and chairs are entering the world of circular economy products. In addition to our standard beautiful Ash and Plywood seats there is a new material made from denim waste and overstocked textiles.

### 1. Okidoki Denim

A fully sustainable seat and back manufactured from recycled denim fabric, to provide a hard wearing and sustainable material, that can be further recycled at the end of product life.



- a. 501 - recycled blue denim
- b. 80's - recycled white denim
- c. 007 - recycled business suits



Colours are representative only, please check with your Thinking Works consultant to view samples of any specific colour.

# Okidoki Denim

## Entering the World of Circular Economy

The Okidoki Denim seat and back are manufactured from fabric waste, with the top layer made from either blue denim, white denim, or other clothing fabric. Through collaborative efforts with our key partners, low-valued material is transformed into a unique recycled material, preventing it from ending up in landfill and ensuring its continuous reuse in a sustainable cycle.

### 1. Collection

The unique process starts by collecting textile waste, such as old denim, army clothing, and overstocked textiles from the fashion industry like suits or business uniforms.

### 2. Fibres

Once the fabrics are collected, they undergo shredding into fibres and are then blended with different coloured fabrics to create the unique veneer patterns.

### 3. Denim Felt

The fibre mixture is processed into a denim felt that can be stored on a roll.

### 4. Moulding

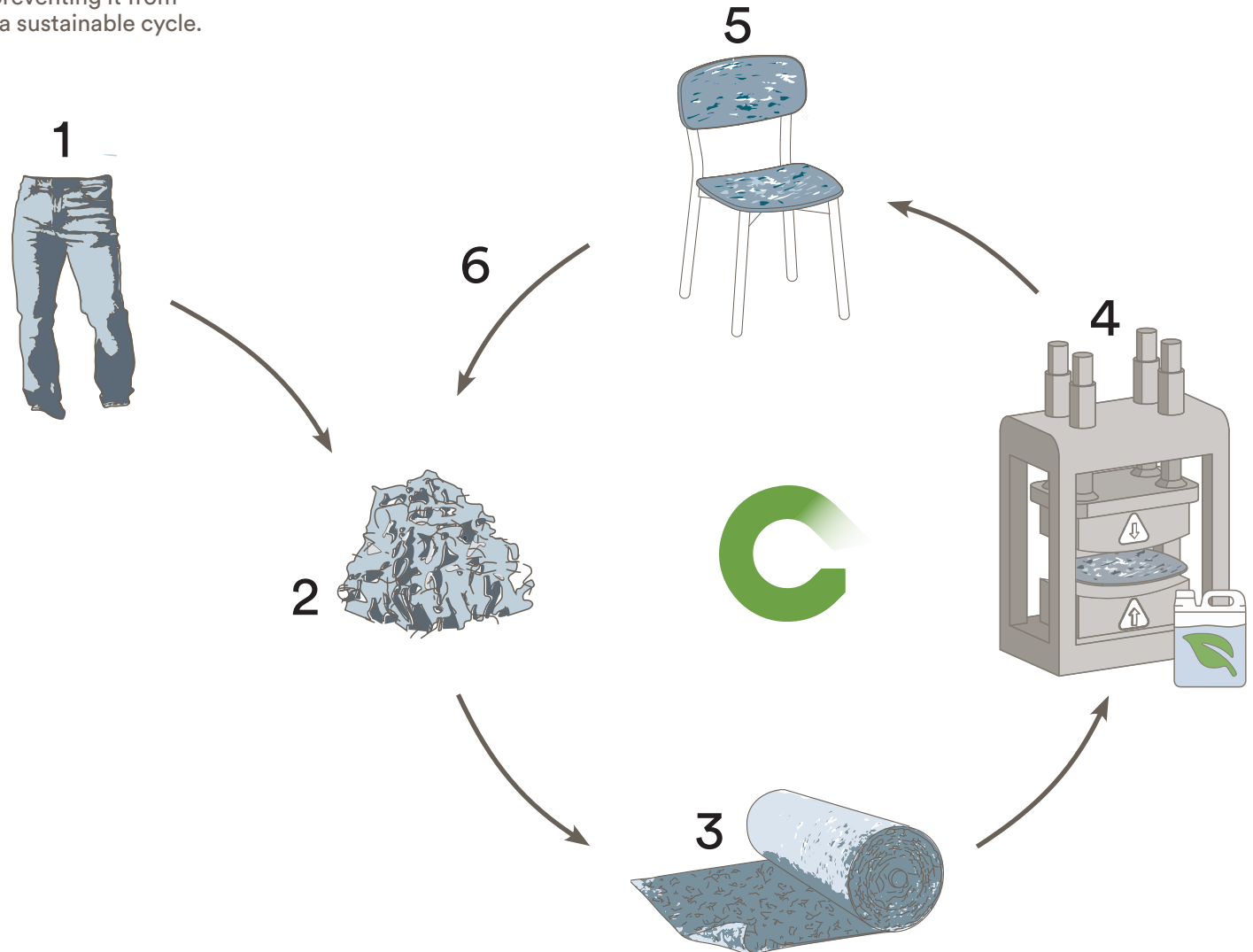
Together with a biodegradable binder, several layers of denim felt are pressed and moulded into rigid shapes.

### 5. Product Life as a Chair

The moulded seats and backrests are securely attached to our timber Okidoki stool and chair frames. The combination of the compressed recycled fabric and timber results in a durable, comfortable, and long-lasting product.

### 6. Cradle-to-Cradle

At the end of the products life, the seats and backrests can be re-shredded and processed into new material for application on new chairs and stools, therefore creating a circular economy. The same applies to all denim offcuts produced during the production process.





## **Specification**

If you would like a sample set of any of our finishes, please call us on 61 (0)2 9726 7177 or e-mail at [sales@thinkingw.com](mailto:sales@thinkingw.com).

Due to our policy of continuous product development, specifications and finishes may change without prior notice.

## **Sustainability Policy**

We realise the importance of responsible business practices and have in place numerous product and company sustainability certifications. We would encourage you to download our annual Sustainability Report from the Thinking Works website to get a full overview of our sustainability program.

Thinking Works  
© Copyright 2022  
All right reserved

Thinking Works  
15-23 Helles Avenue  
Moorebank  
New South Wales 2170

[www.thinkingw.com](http://www.thinkingw.com)  
61 (0)2 9726 7177  
[sales@thinkingw.com](mailto:sales@thinkingw.com)