

Welcome to Ollin.



reddot design award
winner 2017





Ollin, our revolutionary monitor arm, supports the screen technology of today and helps the user prepare for the screen technology of the future.

Constantly shifting and morphing with each day, the world of business is never static. A productive workplace should reflect this in its ability to evolve with changing business requirements. Cloud computing and the use of hybrid laptop/tablets are shifting how and why computer screens are used, and as developments in technology increase, the need for the workplace to be more responsive has never been more relevant.

As business's adopt and adapt their workspace's to accommodate new technologies, Ollin is a solution that can grow and evolve with this changing technology in the modern workspace. Encouraging users to interact with technology and each other as seamlessly as possible.

SEE THE LIGHT

As technology advances, screens are becoming lighter and often more compact.

Ollin's unique technical cord supports weights from 0kg up to 9kg, helping business's stay in touch as technology advances, and screens become lighter and more mobile.

And as this trend continues, Ollin can grow and adapt to the latest technology.

TWO GOOD

As dual screen working becomes more prevalent in the workspace, Ollin's ability to be easily adapted offers a solution to support this shift in working styles. A dual screen mount can be attached to the main arm, and because there's no need to provide a separate arm for each screen, expenditure is kept to a minimum while productivity increases.

Ollin is a cost effective, future proofed solution to the changing configurations of modern workstations.

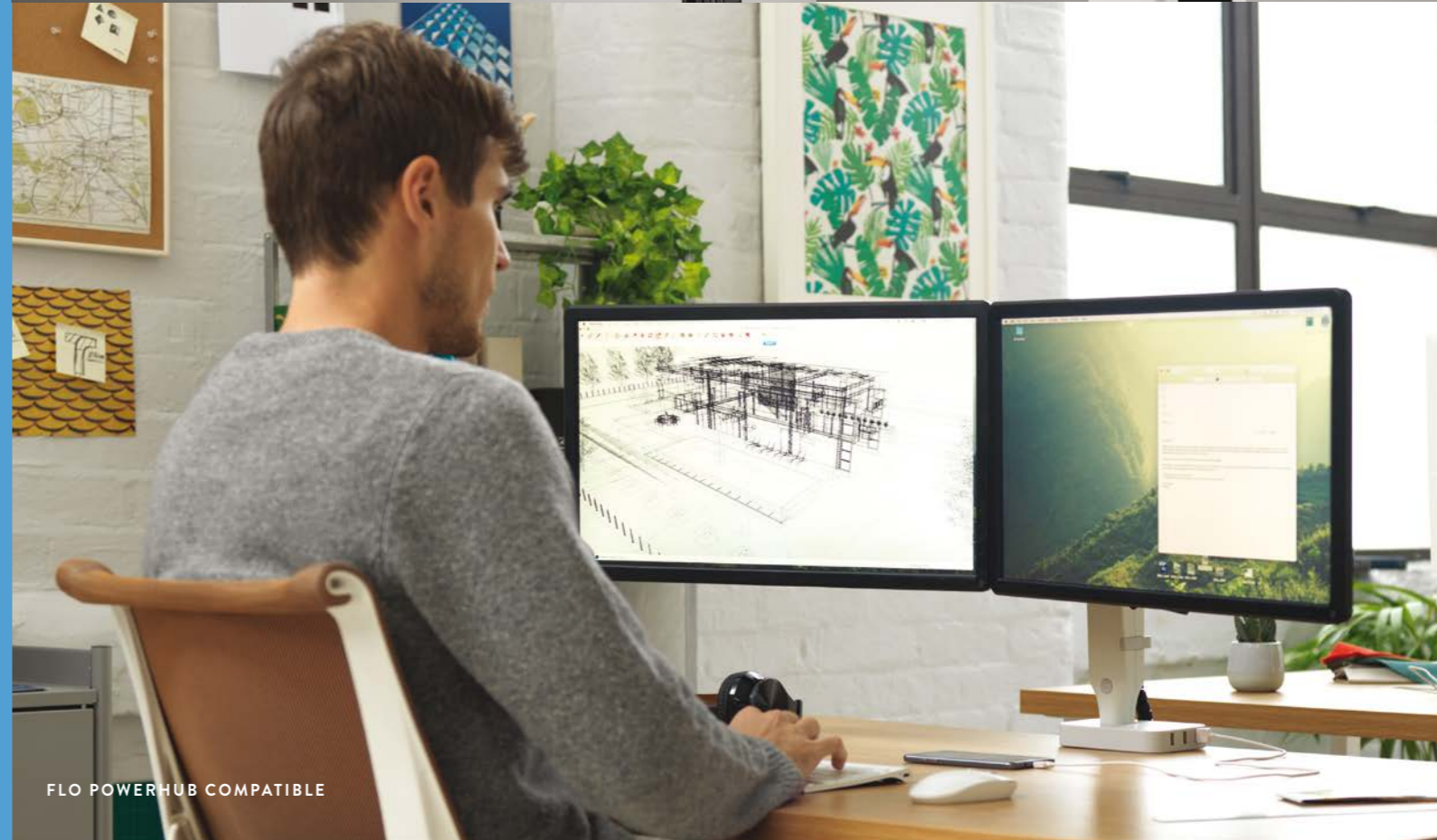
OLLIN DUAL



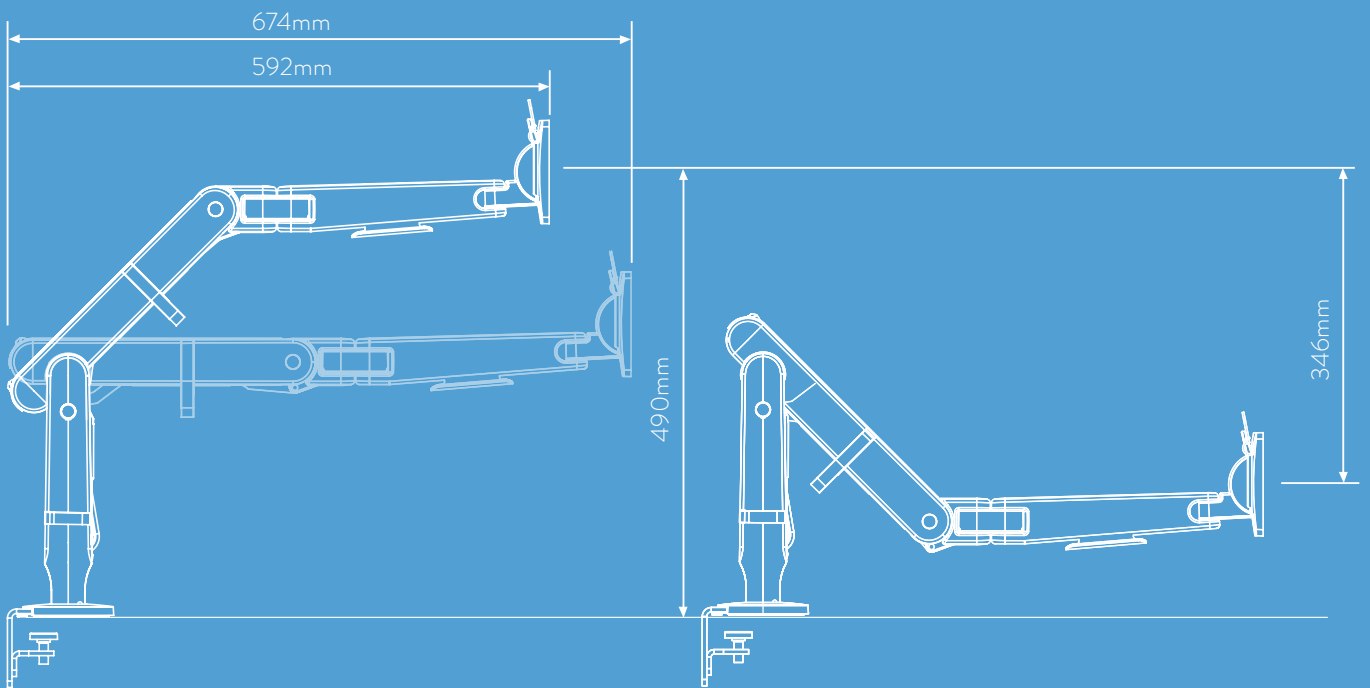
EASY CABLE MANAGEMENT SYSTEM



WEIGHT GAUGE INDICATOR



FLO POWERHUB COMPATIBLE



OVERVIEW

- Monitor weight range: 0 - 9kg
- Horizontal reach: 674mm (26.5")
- Vertical adjustment: 346mm (13.5")
- Monitor head: VESA 75 and 100 compliant
- 180° stop function/360° capability
- Suitable for multi-screens, laptops and tablets
- Available in white, silver and black



info@cbsproducts.co.uk
+44 (0)207 940 4266

www.colebrookbossonsaunders.com

 **colebrook bosson saunders**



TECHNICAL SPECIFICATION SHEET

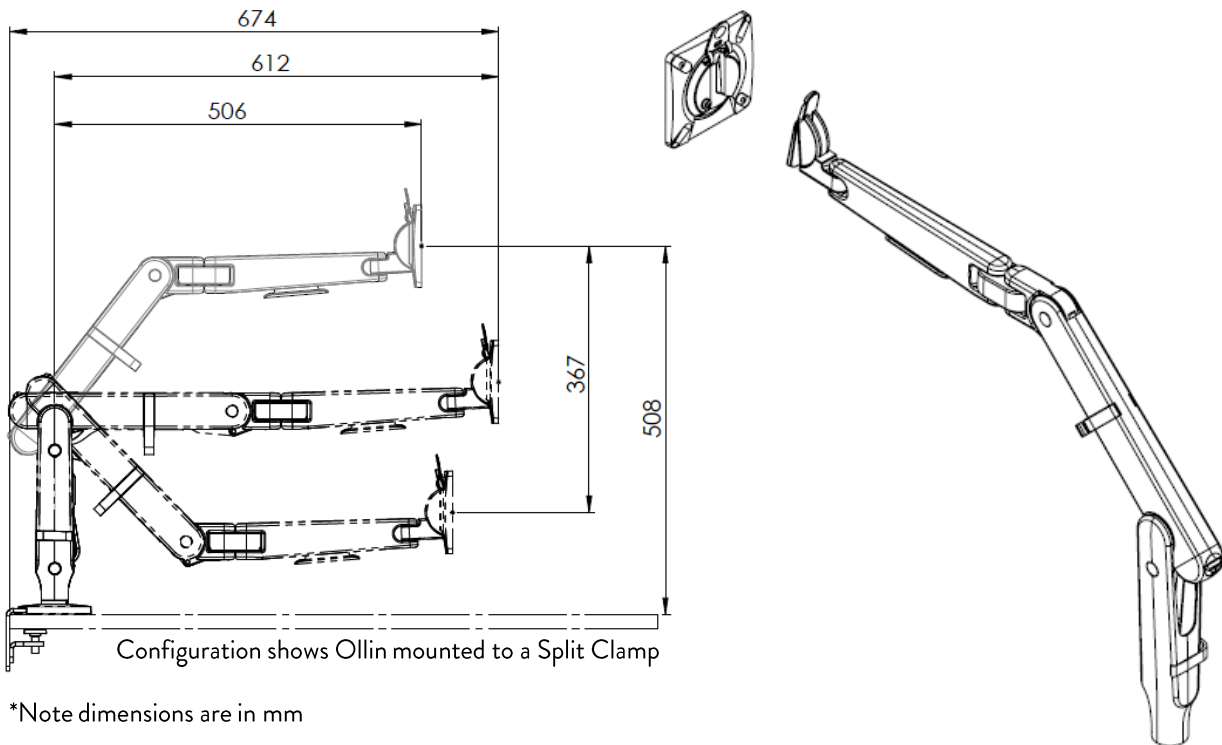
PRODUCT NAME: Ollin Dynamic Monitor Arm

PRODUCT CODE: OLN/009/010

Doc Rev 2.

Product Rev #A

17.02.2017 KO



*Note dimensions are in mm

KEY FEATURES

- Articulation range and smoothness of motion is best in class.
- Supports 0kg to 9kg load range, ideal for mounting lighter technology, e.g. slim & lightweight monitors, tablets, laptops, hybrids, etc.
- Powered by innovative 'Technical Cord' system (rather than a spring or gas strut.)
- Easy 'tool-free' adjustment by means of an integral 'thumbwheel' adjuster. (An allen key tool can also be used if preferred.)
- Indicator window displays weight setting to speed multiple installations.
- Reconfigurable 180° stop (to prevent clash with rear mounted furniture panels.)
- 3 point cable management guides cables tidily from monitor to desktop.
- Also available: A range of interchangeable front-end accessories to tailor the function of the arm, including: Dual Screen Mount Bar, Tablet Mount, Laptop Mount.

Product Classification:	Monitor Arm
Mounted Load Range:	0kg to 9kg. (0lbs to 20lbs.)
Horizontal Range:	674mm
Vertical Motion Range:	367mm
Tilt Range:	+80° / -10°
Recycled content:	65%
Total product recyclable:	99.5%

LOGISTICAL

Box contains	Ollin arm, VESA mount plate & VESA fixing screws, optional security screw, cable management clip, optional adjuster cover, 4mm allen key.
Product net weight:	2.35 kg
Box dims:	385mm x 365mm x 100mm*
Box gross weight	3kg
Carton quantity	6 pcs
Master carton dims:	555mm x 375mm x 310mm*
Master carton weight:	19kg*
Pallet quantity:	72pcs (12 cartons)*
Pallet weight:	247kg*
Country of origin	China
Country of configuration	UK

Note*: Some logistical data is estimated and subject to future confirmation.

ORDERING INFORMATION

<u>Product Description</u>	<u>Product code</u>	<u>Colour</u>
Ollin Dynamic Monitor Arm	OLN/009/010	/S: Silver or /W: White or /B: Black

WARRANTY

Warranty Term	Limited lifetime
----------------------	------------------

COMPLIANCE & SAFETY CERTIFICATION

Whilst no mandatory standards apply to the monitor arm product sector, all Colebrook Bosson Saunders monitor arms have been designed with appropriate articulation features, dimensional range and adjustability to conform to the requirements of BS EN ISO 9241:5 1999 Ergonomic requirements for office work with visual display terminals (VDTs).

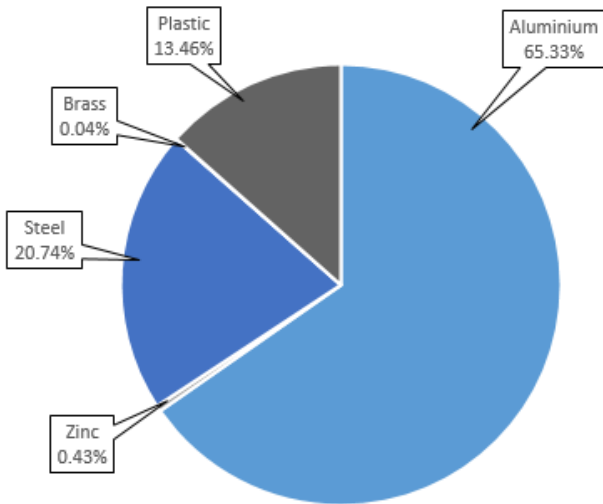
Conformance certification	N/A
Test authority	CBS
Safety certification	N/A

ENVIRONMENTAL

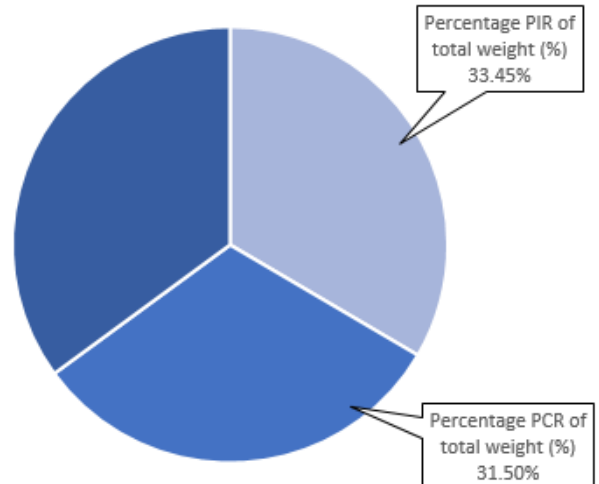
Material Make-up			Total Recycled Content	Breakdown of Recycled Content		Total Recyclable	
Overall Product			Overall Product			Overall Product	
Material type	Total Material type weight (g)	Percentage of Total Product Weight (%)	Material-Type Recycled Content (%)	Percentage PIR of total weight (%)	Percentage PCR of total weight (%)	Total Product Recyclable (g)	Total Product Recyclable (%)
Aluminium	1534	65.33%	62.07%	32.89%	29.17%	1534	65.33%
Zinc	10	0.43%	0.19%	0.09%	0.09%	10	0.43%
Steel	487	20.74%	2.70%	0.46%	2.24%	487	20.74%
Brass	1	0.04%	0.00%	0.00%	0.00%	1	0.04%
Plastic	316	13.46%	0.00%	0.00%	0.00%	304	12.96%
Total	2348	100.00%	64.95%	33.45%	31.50%	2336	99.51%

PIR = Post Industrial Recycled
PCR = Post Consumer Recycled

Total Product Weight (%)



Total Product Recycled Content (%)



CLEANING, STORAGE & MAINTENANCE

Routine servicing

Periodic inspection

Service components

Available to order

Cleaning & Maintenance

Damp cloth, no abrasives, no solvents to be used on the cosmetic surfaces

Handling & Storage

Do not drop or expose to moisture

While every effort is made to ensure the accuracy of our technical information, Colebrook Bosson Saunders (Products) Ltd accept no liability for the accuracy of the information contained in this document and reserve the right to modify the specifications or data contained herein without prior notification.