

Made in Australia

Global GreenTag, Level A verified materials

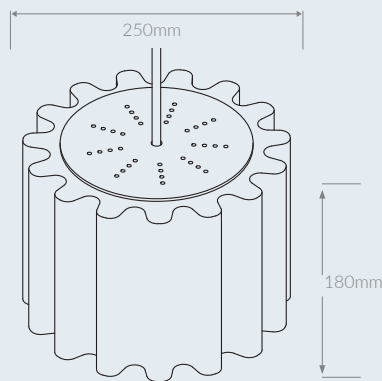


DATASHEET & SPECIFYING INFORMATION

250MM OPERA PENDANT

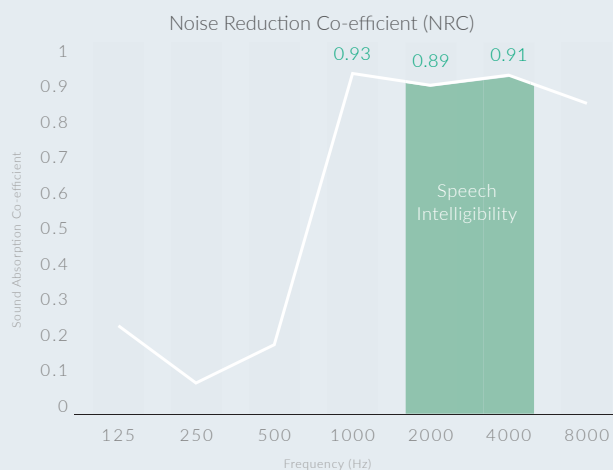
DIMENSIONS

Small Pendant



Input voltage: 240v
Luminous Flux: 800 lm
Recommended light source: 8W G125 E27 Opal Matte bulb
MUST USE LED E27 BULB - MAX.12W

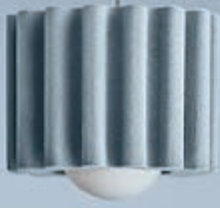
Colour rendering index: 90Ra
Suspension weight: < 1 kg
Driver rating: IP20
Colour temperature: 3000k



Results: Reverberation Times, Acoustic Performance and Absorption Co-efficient

Frequency (Hz)	23/10/2019 Measured Reverberation Time (seconds)	06/11/2019 Measured Reverberation Time (seconds)	Difference in acoustic performance (m ² Sabin)	Calculated absorption coefficient: of tested light fittings
125	0.93	0.78	1.4	0.24
250	0.78	0.74	0.4	0.07
500	0.55	0.49	1.0	0.17
1k	0.60	0.40	5.4	0.93
2k	0.57	0.40	5.2	0.89
4k	0.60	0.47	5.3	0.91
8k	0.47	0.34	4.9	0.85

For additional information on acoustic testing please visit the Sound Lab on our website or request full testing reports.



END-OF-LIFE MANAGEMENT PROGRAM

We ask that products are returned to Acustico Lighting. We have agreements in place with our suppliers who commit to upcycling approximately 80% of the materials.

CANOPY DETAILS

C1 comes as standard.
Colour: Champagne

C1



SPECIFYING INFORMATION

Projects are complex.

In order to preserve the correct details being passed from one contractor to the next over the course of your project, please use the following information in your schedule to specify our lights.

QUANTITY	PROFILE	DIAMETER	LIGHT SOURCE	COLOUR
<i>Eg. 3</i>	OP	250	BLB	SB

SPECIFYING OPTIONS KEY

PROFILE

OP Opera

DIAMETER (MM)

250 Small

LIGHT SOURCE

BLB Bulb E27 240v

AC Acoustic only (No light source)

LIGHT TEMPERATURE (KELVIN)

3000 Warm

COLOURS

OG Olive Green

VP Vibrant Purple

RG Rouge

MD Mustard

VG Vibrant Green

LH Light Grey

BO Burnt Orange

SB Steel Blue

CANOPY COLOUR

CH Champagne

SUSPENSION

Our lights have optimum sound absorbency of voice noise when they are hung at 2000mm or lower from FFL. Please consider this when specifying the hanging height. Our standard rod length is 1500mm and can be altered to the appropriate length on-site. Must be installed by a licensed electrician in accordance with AS/NZS 3000.

All of our products are individually assembled meaning minor variations in finish, colour and profile can occur. Slight variations are to be expected and will not be accepted as a fault or defect in the product. Colours and finishes as viewed on printed and digital sources are representative only and may not appear identical to the finished product. Acustico Lighting reserves the right to change the specification, material and colours at any time without notice. Standard warranty terms and conditions apply. All rights reserved. © Sept 2020



ACUSTICO® LIGHTING

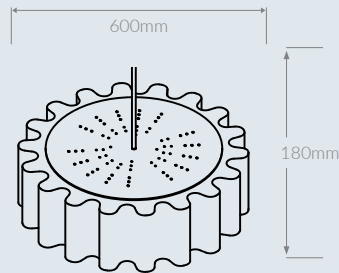
- Absorbs up to 30% of noise
- Made in Australia
- Gloable Green Tag, Level A
verified materials
- Low voltage LED - 50,000
hours



DATASHEET & SPECIFYING INFORMATION 600MM OPERA BULB PENDANT

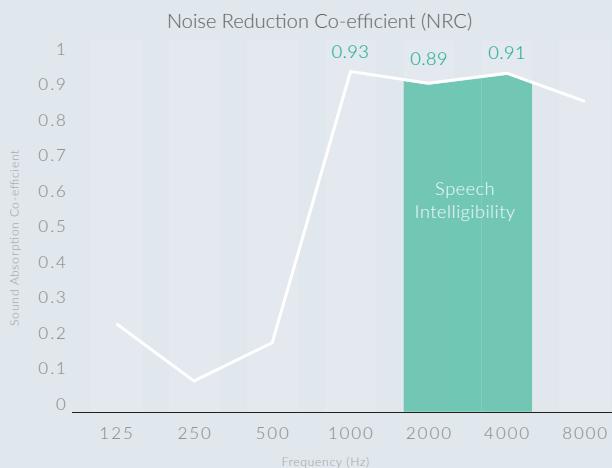
DIMENSIONS

Medium Pendant



Voltage: 24v dc
 Input voltage: 240v
 Luminous Flux: Large – 4680 lm
 Medium – 2780 lm
 Dimming: Dali/Non Dali
 MUST USE LED E27 BULB - MAX 12W

Colour rendering index: > 80
 Suspension weight: > 5 kg
 Driver rating: IP20
 Colour temperature: 3000k or 4000k



Results: Reverberation Times, Acoustic Performance and Absorption Co-efficient

Frequency (Hz)	23/10/2019 Measured Reverberation Time (seconds)	06/11/2019 Measured Reverberation Time (seconds)	Difference in acoustic performance (m ² Sabin)	Calculated absorption coefficient: of tested light fittings
125	0.93	0.78	1.4	0.24
250	0.78	0.74	0.4	0.07
500	0.55	0.49	1.0	0.17
1k	0.60	0.40	5.4	0.93
2k	0.57	0.40	5.2	0.89
4k	0.60	0.47	5.3	0.91
8k	0.47	0.34	4.9	0.85

For additional information on acoustic testing please visit the Sound Lab on our website or request full testing reports.





END-OF-LIFE MANAGEMENT PROGRAM

We ask that products are returned to Acustico Lighting. We have agreements in place with our suppliers who commit to upcycling approximately 80% of the materials.

SPECIFYING INFORMATION

Projects are complex.

In order to preserve the correct details being passed from one contractor to the next over the course of your project, please use the following information in your schedule to specify our lights.

CANOPY DETAILS

C1 comes as standard. Rod is a modular system of total length 1m, comprised of 200mm, 300mm & 500mm screwable lengths.

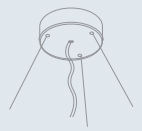
If suspension length is longer than 1000mm please specify C2 with suspension wires and flex.

Colour: Champagne

C1



C2



QUANTITY	SPECIFIER	PROFILE	DIAMETER	SHAPE	LIGHT SOURCE	LIGHT TEMP (K)	DALI DRIVER	CANOPY DETAILS	COLOUR
Eg. 3	S	OP	950	R	LED	3000	N	C1	SB

SPECIFYING OPTIONS KEY

PROFILE

OP Opera

DIAMETER (MM)

950 Large

600 Medium

SHAPE

R Round

W Wall

C Custom

L Linear

LIGHT SOURCE

LED LED

BLB Bulb E27 240v

AC Acoustic only (No light source)

LIGHT TEMPERATURE (KELVIN)

3000 Warm

4000 Office/Education

DALI DRIVER

Y Yes

N No

COLOURS

OG Olive Green

VP Vibrant Purple

RG Rouge

MD Mustard

VG Vibrant Green

LH Light Grey

BO Burnt Orange

SB Steel Blue

CANOPY COLOUR

CH Champagne

SUSPENSION

Our lights have optimum sound absorbency of voice noise when they are hung at 2000mm or lower from FFL. Please consider this when specifying the hanging height. Our standard rod length is 1000mm and can be altered to the appropriate length on-site.

If you require longer length, please specify C2 with a standard 2000mm flex and suspension cables or longer.

Must be installed by a licensed electrician in accordance with AS/NZS 3000.

All of our products are individually assembled meaning minor variations in finish, colour and profile can occur. Slight variations are to be expected and will not be accepted as a fault or defect in the product. Colours and finishes as viewed on printed and digital sources are representative only and may not appear identical to the finished product. Acustico Lighting reserves the right to change the specification, material and colours at any time without notice. Standard warranty terms and conditions apply. All rights reserved. © Sept 2020



Absorbs up to 30% of noise

Made in Australia

GECA Certified Materials

Low voltage LED - 50,000 hours

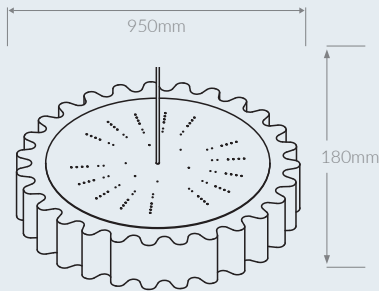


DATASHEET & SPECIFYING INFORMATION

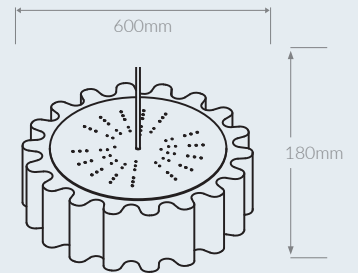
950MM + 600MM OPERA LED PENDANTS

DIMENSIONS

Large Pendants

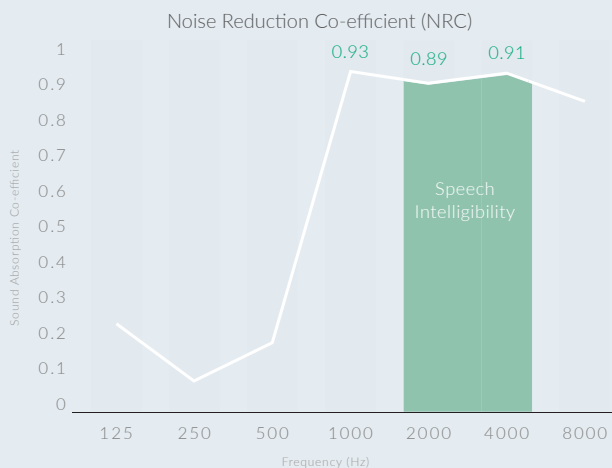


Medium Pendants



Voltage: 24v dc
Input voltage: 240v
Luminous Flux: Large - 4680 lm
Medium - 2780 lm
Dimming: Dali/Non Dali

Colour rendering index: > 80
Suspension weight: > 5 kg
Driver rating: IP20
Colour temperature: 3000k or 4000k



Results: Reverberation Times, Acoustic Performance and Absorption Co-efficient

Frequency (Hz)	23/10/2019 Measured Reverberation Time (seconds)	06/11/2019 Measured Reverberation Time (seconds)	Difference in acoustic performance (m ² Sabin)	Calculated absorption coefficient: of tested light fittings
125	0.93	0.78	1.4	0.24
250	0.78	0.74	0.4	0.07
500	0.55	0.49	1.0	0.17
1k	0.60	0.40	5.4	0.93
2k	0.57	0.40	5.2	0.89
4k	0.60	0.47	5.3	0.91
8k	0.47	0.34	4.9	0.85

For additional information on acoustic testing please visit the Sound Lab on our website or request full testing reports.



END-OF-LIFE MANAGEMENT PROGRAM

We ask that products are returned to Acustico Lighting. We have agreements in place with our suppliers who commit to upcycling approximately 80% of the materials.

SPECIFYING INFORMATION

Projects are complex.

In order to preserve the correct details being passed from one contractor to the next over the course of your project, please use the following information in your schedule to specify our lights.

CANOPY DETAILS

C1 comes as standard. Rod is a modular system of total length 1m, comprised of 200mm, 300mm & 500mm screwable lengths.

If suspension length is longer than 1000mm please specify C2 with suspension wires and flex.

Colour: Champagne

C1



C2



QUANTITY	SPECIFIER	PROFILE	DIAMETER	SHAPE	LIGHT SOURCE	LIGHT TEMP (K)	DALI DRIVER	CANOPY DETAILS	COLOUR
Eg. 3	S	OP	950	R	LED	3000	N	C1	SB

SPECIFYING OPTIONS KEY

PROFILE

OP Opera

DIAMETER (MM)

950 Large

600 Medium

SHAPE

R Round

W Wall

C Custom

L Linear

LIGHT SOURCE

LED LED

BLB Bulb E27 240v

AC Acoustic only (No light source)

LIGHT TEMPERATURE (KELVIN)

3000 Warm

4000 Office/Education

DALI DRIVER

Y Yes

N No

COLOURS

OG Olive Green

VP Vibrant Purple

RG Rouge

MD Mustard

VG Vibrant Green

LH Light Grey

BO Burnt Orange

SB Steel Blue

CANOPY COLOUR

CH Champagne

SUSPENSION

Our lights have optimum sound absorbency of voice noise when they are hung at 2000mm or lower from FFL. Please consider this when specifying the hanging height. Our standard rod length is 1000mm and can be altered to the appropriate length on-site.

If you require longer length, please specify C2 with a standard 2000mm flex and suspension cables or longer.

Must be installed by a licensed electrician in accordance with AS/NZS 3000.

All of our products are individually assembled meaning minor variations in finish, colour and profile can occur. Slight variations are to be expected and will not be accepted as a fault or defect in the product. Colours and finishes as viewed on printed and digital sources are representative only and may not appear identical to the finished product. Acustico Lighting reserves the right to change the specification, material and colours at any time without notice. Standard warranty terms and conditions apply. All rights reserved. © Sept 2020





ACUSTICO®
LIGHTING

INSTALLATION INSTRUCTIONS
Opera Pendant: Small

INSTALLATION INSTRUCTIONS

Opera Pendant: Small

PARTS:

Canopy (incl. ceiling bracket)

1500mm cord (Replacement cord is available from manufacturer should it be required)

Light fitting

125mm G125 Opal Matte Globe 8W (Max.12W).

PRE-ASSEMBLY

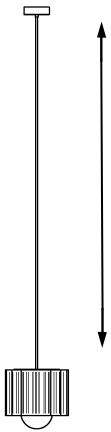
Ensure there is adequate support in the ceiling to hold minimum 1 kilogram of weight.

Must be installed by a licensed electrician in accordance with AS/NZS 3000.

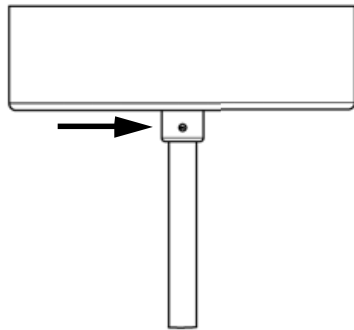
Must use LED E27 Bulb (Max.12W).

1.

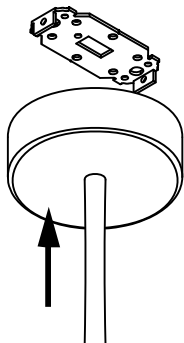
ADJUSTING LENGTH



Ascertain correct length required from ceiling to light fitting and adjust cord accordingly.



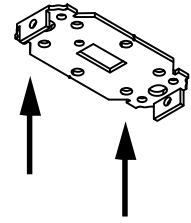
Tighten cord grip screw on the canopy.



Unscrew bracket from canopy.

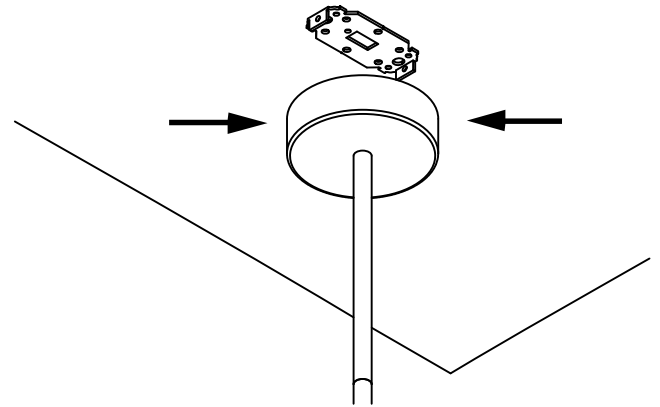
2.

CEILING INSTALLATION

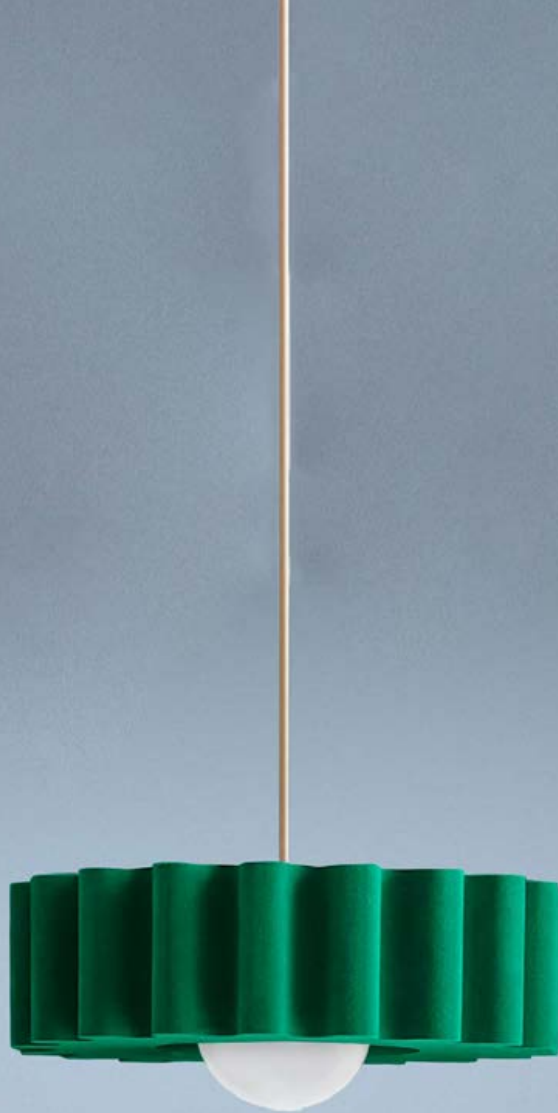


Screw bracket into ceiling.

Connect blue and brown wires from lighting unit into mains power.



Screw canopy of light fitting over bracket, using the two screws provided.



INSTALLATION INSTRUCTIONS
Opera Pendant: Medium Globe Model

INSTALLATION INSTRUCTIONS

Opera Pendant: Medium Globe Model

PARTS:

Canopy (incl. ceiling bracket)
Rods x 3 (500mm, 300mm, and 200mm)
Light fitting
200mm or 250mm glass sphere

Not included: E27 Globe - Recommended max. wattage 12W (LED).
Please note: There are no serviceable parts. Please return to manufacturer for any required repairs.

PRE-ASSEMBLY

Ensure there is adequate support in the ceiling to hold minimum 8 kilograms of weight.

INSTALLATION

Must be installed by a licensed electrician in accordance with AS/NZS 3000.

MUST USE LED E27 BULB - MAX 12W

PLEASE NOTE:

There are no serviceable parts. Please return to manufacturer for any required repairs.

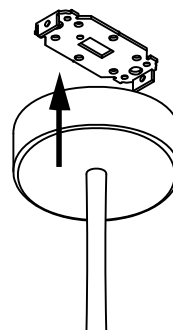
1.

ASSEMBLY OF SUSPENSION ROD

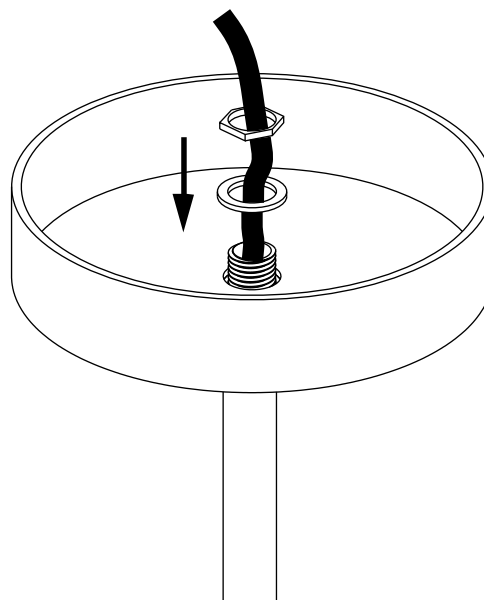
Ascertain correct length required from ceiling to light fitting. Discard unwanted rod lengths.

Thread cord through each rod, one at a time.

Screw the rod into the nipple screw connector, thread cord through and repeat until desired length is reached.



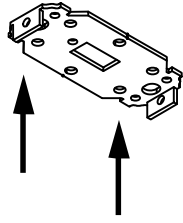
Unscrew bracket from canopy.



Screw rod into canopy using nut and washer.

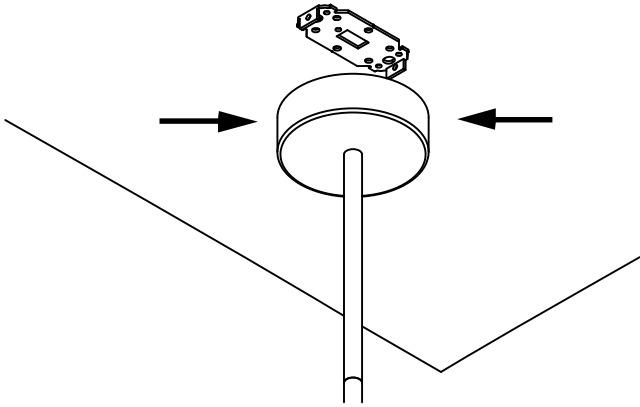
2.

CEILING INSTALLATION



Screw bracket into ceiling.

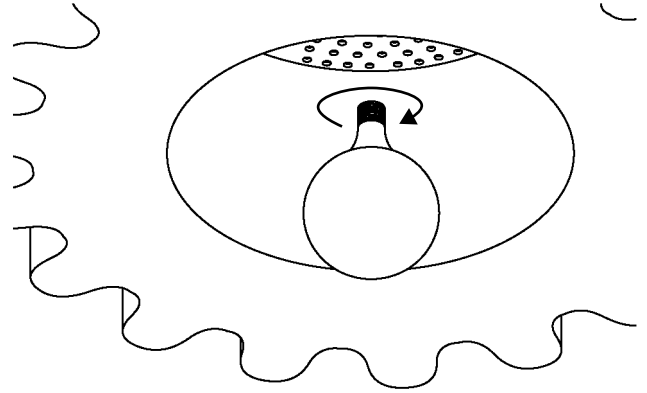
Connect blue and brown wires from lighting unit into mains power.



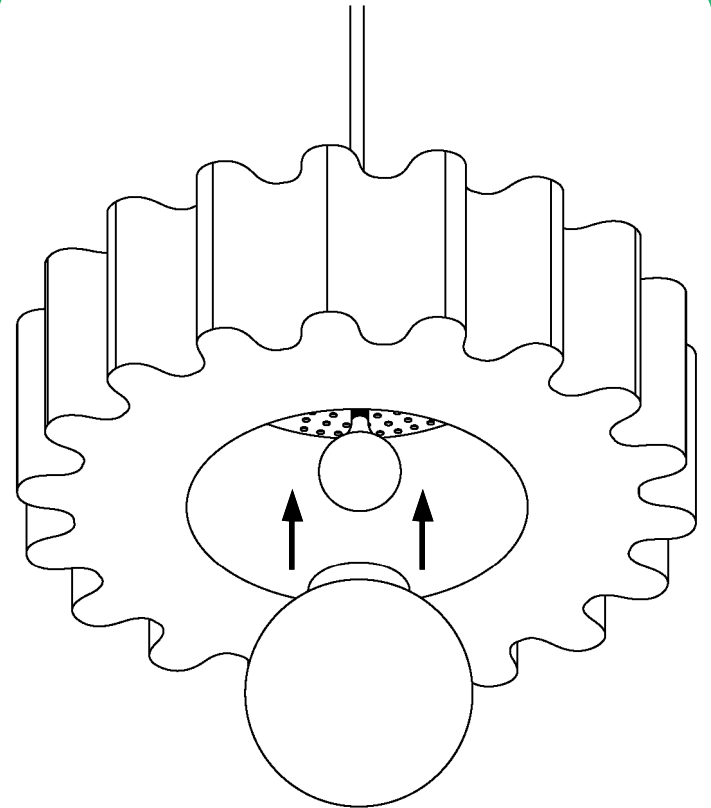
Screw canopy of light fitting over bracket, using the two screws provided.

3.

ASSEMBLY OF GLOBE & GLASS SPHERE

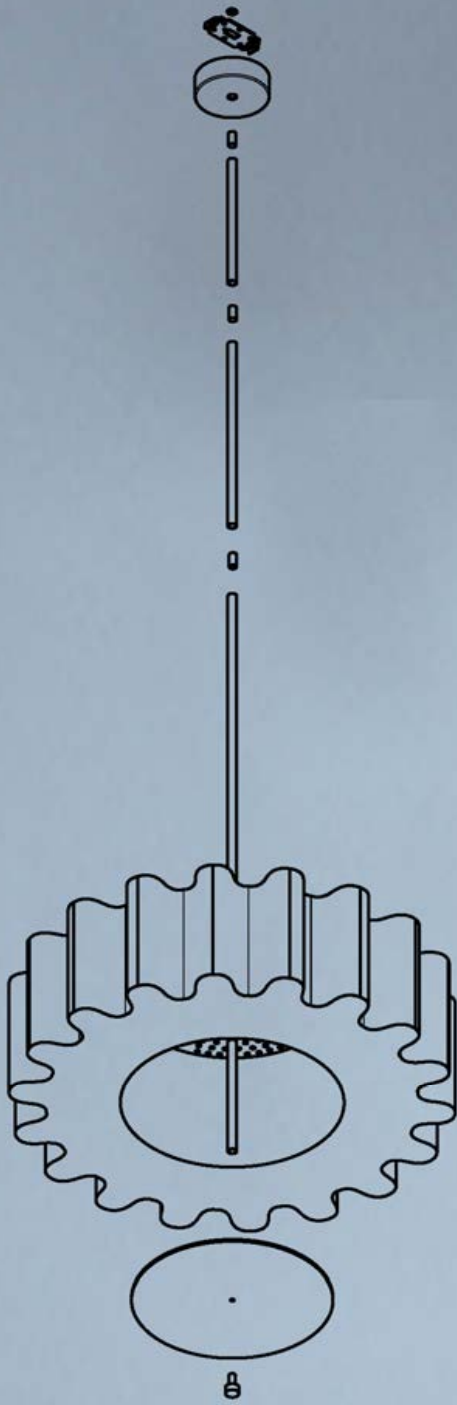


Screw bulb into light fitting.



In one hand, pull 2 springs downward to create tension, place the glass sphere over the springs and release slowly.

Ensure both springs fit inside the sphere opening before letting go.



INSTALLATION INSTRUCTIONS
Opera Pendant: Medium & Large LED models

INSTALLATION INSTRUCTIONS

Opera Pendant: Medium & Large LED models

MUST be installed by a licensed electrician in accordance with AS/NZS 3000. PLEASE NOTE: There are no serviceable parts. Please return to manufacturer for any required repairs.

PARTS:
Canopy (incl. ceiling bracket)
Remote driver
Rods x 3 (500mm, 300mm, and 200mm)
Light fitting incl. LED Board & wiring
Acrylic diffuser
Finishing nut

PRE-INSTALLATION

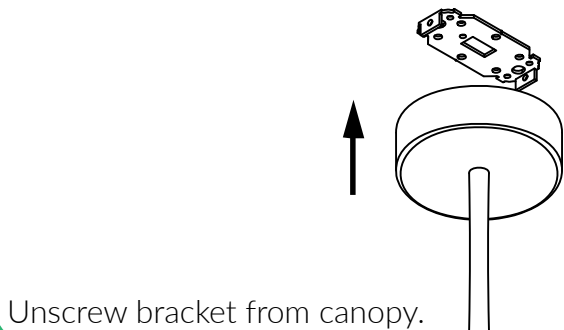
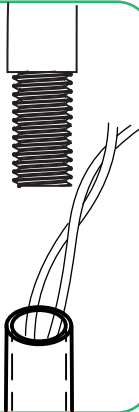
Ensure there is adequate support in the ceiling to hold minimum 8 kilograms of weight. Ensure wires are well-connected to LED board (and have not been dislodged in transport).

1. ASSEMBLY OF SUSPENSION ROD

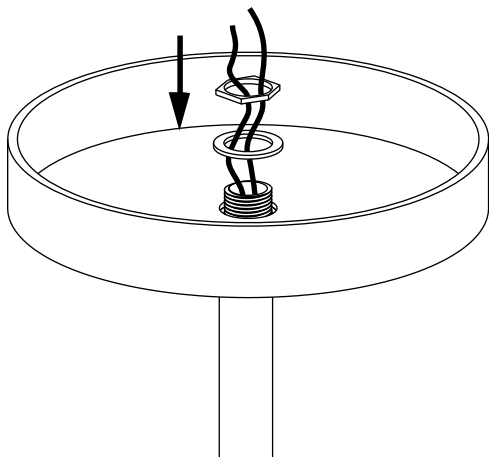
Ascertain correct length required from ceiling to light fitting. Discard unwanted rod lengths.

Thread wires through each rod, one at a time.

Screw the rod into the nipple screw connector, thread wire through and repeat until desired length is reached.



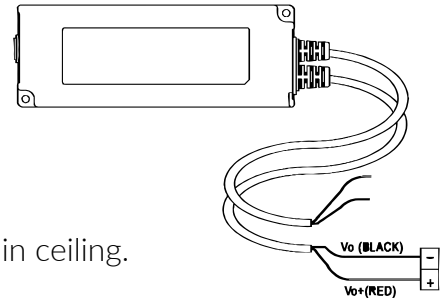
Unscrew bracket from canopy.



Screw rod into canopy using nut and washer.

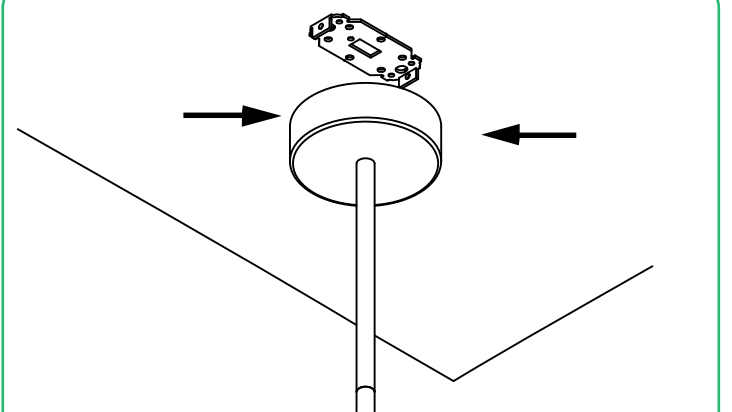
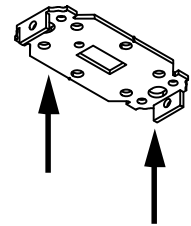
2. CEILING INSTALLATION

Place driver in ceiling.

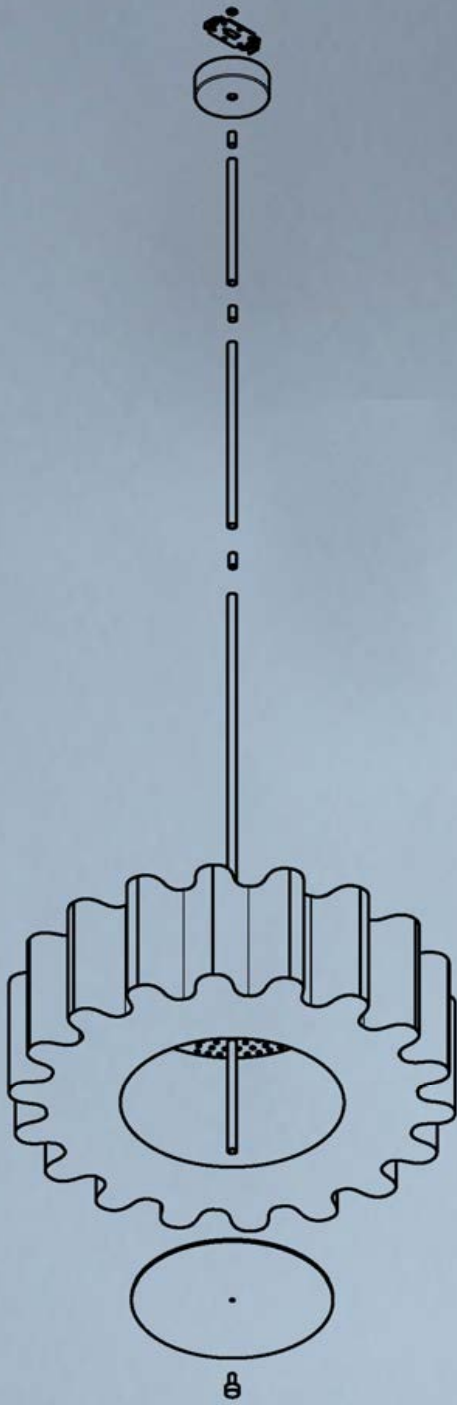


Screw bracket into ceiling.

Connect blue and brown wires from lighting unit into driver.



Screw canopy of light fitting over bracket, using the two screws provided.



INSTALLATION INSTRUCTIONS
Opera Pendant: Medium & Large LED models

INSTALLATION INSTRUCTIONS

Opera Pendant: Medium & Large LED models

MUST be installed by a licensed electrician in accordance with AS/NZS 3000. PLEASE NOTE: There are no serviceable parts. Please return to manufacturer for any required repairs.

PARTS:
Canopy (incl. ceiling bracket)
Remote driver
Rods x 3 (500mm, 300mm, and 200mm)
Light fitting incl. LED Board & wiring
Acrylic diffuser
Finishing nut

PRE-INSTALLATION

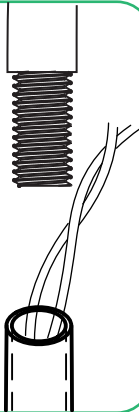
Ensure there is adequate support in the ceiling to hold minimum 8 kilograms of weight. Ensure wires are well-connected to LED board (and have not been dislodged in transport).

1. ASSEMBLY OF SUSPENSION ROD

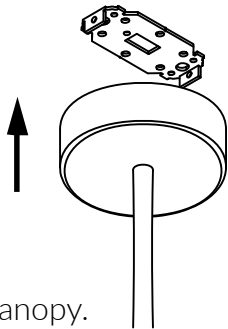
Ascertain correct length required from ceiling to light fitting. Discard unwanted rod lengths.

Thread wires through each rod, one at a time.

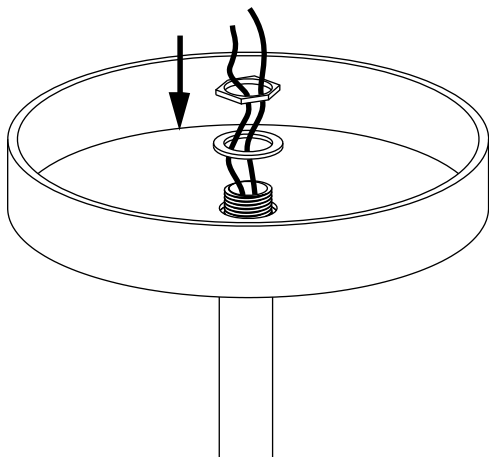
Screw the rod into the nipple screw connector, thread wire through and repeat until desired length is reached.



Unscrew bracket from canopy.

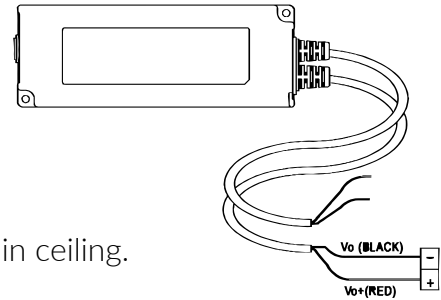


Screw rod into canopy using nut and washer.



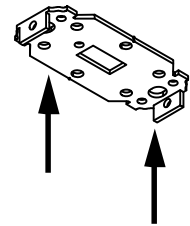
2. CEILING INSTALLATION

Place driver in ceiling.



Screw bracket into ceiling.

Connect blue and brown wires from lighting unit into driver.



Screw canopy of light fitting over bracket, using the two screws provided.

