



# Path<sup>TM</sup>

by Humanscale<sup>®</sup>

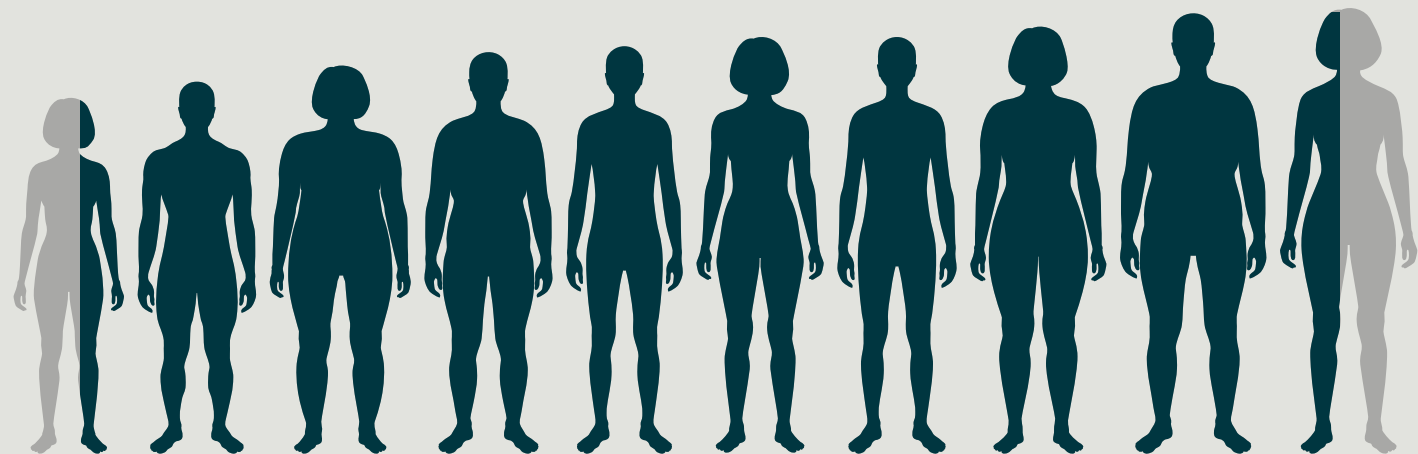
**A Path for  
Every Body**



# A Path for Every Body

Path is built differently, instantly adapting to each real body type straight out of the box. Most chairs are made to fit an imaginary “average” body type, forcing each real person sitting in it to adjust knobs and levers until they’re comfortable. The further that person’s height or weight is from the “average” midpoint, the more work it takes. As a result, most chairs are either adjusted incorrectly, or not at all –

resulting in poor posture, unhealthy work habits, and a host of more serious problems over time. Designed in collaboration with Todd Bracher Studio, Path uses physics to comfortably fit 95% of all body types the moment they sit, no complex adjustments required. Whoever you are, it’s been made to feel simple and body inclusive, performing effortlessly so you can too.



## A Path for Everywhere

Path’s warm, versatile aesthetic is a direct response to the rapidly evolving workspaces of today and tomorrow. Its softly rounded silhouette accents any environment - whether in the office, at home, or anywhere in between, providing open, elevated simplicity. A suite of personalisation options goes a step further and lends Path chameleon-like adaptability, so it matches and enhances its surroundings, instead of redefining them.

# Inclusivity Included

Like all Humanscale designs, Path is engineered for body inclusivity. Each Path contains a patented Gravity Mechanism™ that utilises bodyweight rather than bulky, complex controls. As you sit, the mechanism engages. When you recline, it gently lifts, so your body becomes the natural counterbalance, and is firmly supported wherever it stops. This creates virtual pivot points that allow Path to move with you in complete harmony.



Cross section of seat showing  
the internal Gravity Mechanism™



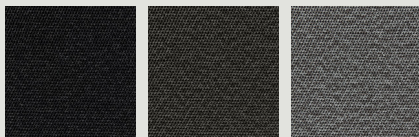


# FormSense

## Eco Knit™

Equally as innovative as Path's design is its FormSense Eco Knit™, a mesh-like textile that conforms to the body, providing self-adjusted lumbar support and a tailored fit to every user, regardless of their height or weight. Each stitch is individually controlled, resulting in a beautifully responsive, personalised experience for the user.

In both the textile design and its application, FormSense Eco Knit™ contributes to Path's robust sustainability story. Its yarn is made with 100% post-consumer recycled polyester from upcycled plastic bottles and is knit to the exact shape of the chair, eliminating the need for cutting or sewing and creating zero waste.





# Path is the world's most sustainable task chair

and builds on Humanscale's legacy of commitment  
to minimal, ergonomic, and eco-conscious design.

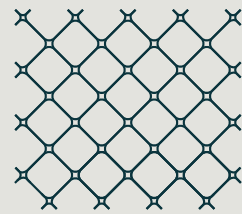
Through the industry's most rigorous and comprehensive testing, Path has been certified 'climate positive', meaning each time one is made, the planet is measurably better off. When you choose a new Path forward, you're choosing a healthier planet for all of us.



# A New Path Forward

With each new product, Humanscale aims to set higher standards for sustainable design. Path represents a new benchmark, upcycling more plastic waste than any other chair in the industry. It's also our 26th climate positive product, giving back more to the planet than it takes each time it is made. Humanscale remains the only manufacturer in our industry to have any products that are certified climate positive, let alone 26. Likewise, no other company matches our independent certifications across areas like:

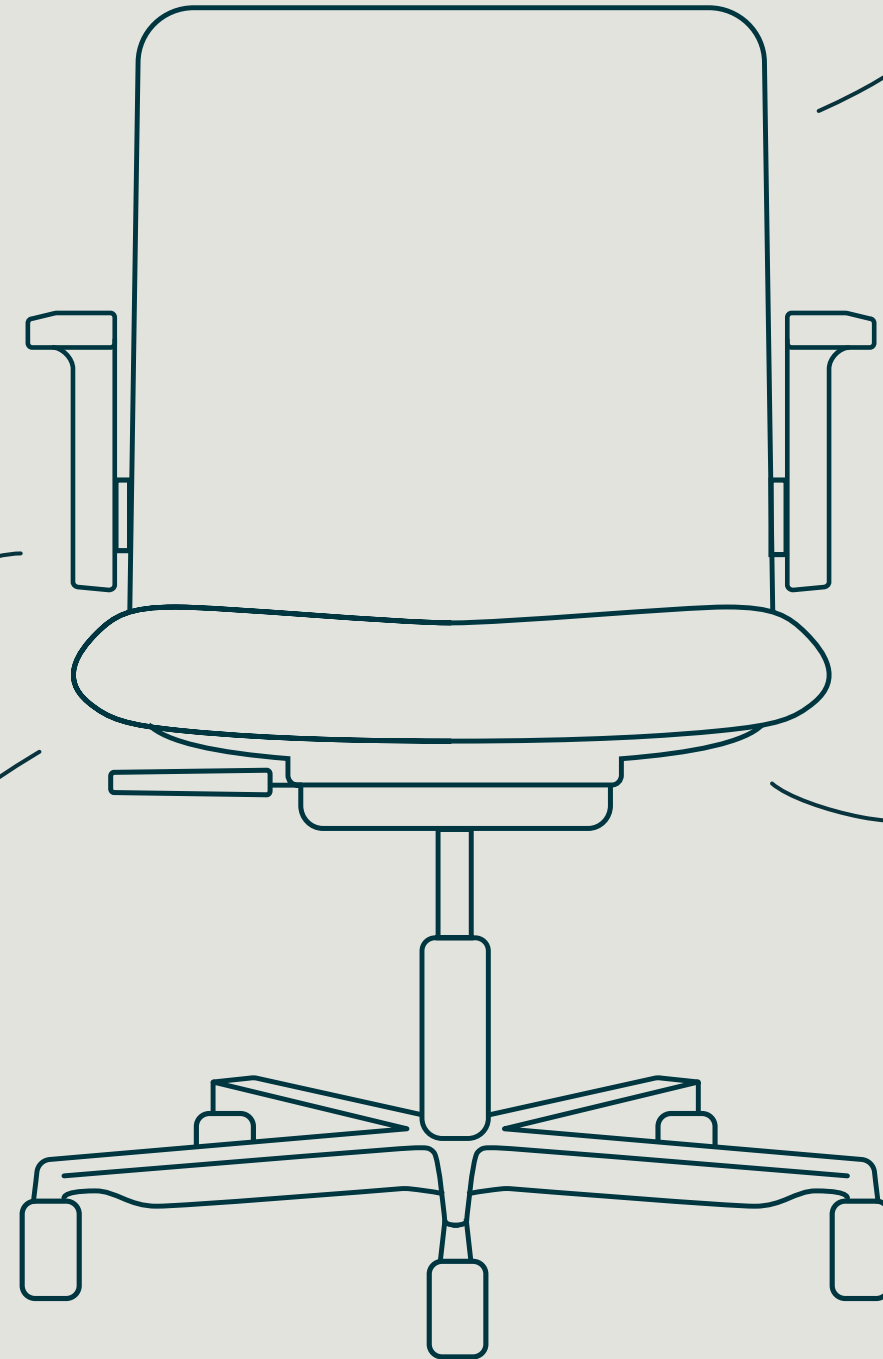
- Healthy Materials
- Material Transparency
- Level® Certification
- Sustainable Operations



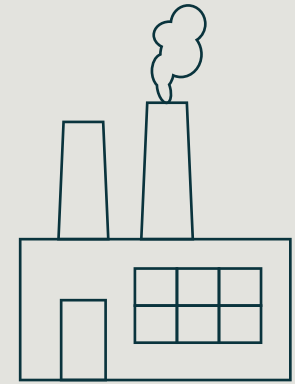
**2.8**  
kilograms  
Reclaimed  
Fishing Nets



**1.5**  
kilograms  
Ocean Bound  
Plastic



**0.6**  
kilograms  
PET Bottles



**2.1**  
kilograms  
Post-Industrial  
Recycled Content



**3.0**  
kilograms  
Post-Consumer  
& Post-Industrial  
Mixed Content

Every Path chair leaves the world cleaner by removing and using nearly ten kilograms (22 lbs.) of recycled plastic from our planet.



Path is Living Product Certified by ILFI. This third-party certification verifies that Path measurably gives back more than it takes to make, setting a new benchmark for responsible manufacturing.



# The Right Path for You

While Path is already designed to adapt effortlessly to any workspace, our full suite of textiles, chrome-free leathers, bases and arms are all available to lend complete personalisation. Whether it's for the board room, the living room, or the hotel suite, we make it simple to forge a Path of your very own - from the ground up - to ensure it perfectly matches your needs.







## Features

- Incorporates nearly 10 kilograms (22 lbs.) of recycled material, including fishing nets from the ocean, which is the most harmful form of pollution to our marine ecosystems
- Free of Red List Chemicals, known as the “worst in class” materials, chemicals, and elements hazardous to humans and our environment
- Applying the innate laws of physics, instead of bulky levers and knobs, our Gravity Mechanism™ provides automatic support as soon as someone sits in the chair, and even when they recline, simply by using the sitter’s weight to provide a personalised sitting experience
- 15 Year Warranty\*

\*Full warranty information can be found at [www.humanscale.com/warranty](http://www.humanscale.com/warranty)

# Technical Specifications

	INCHES	MILLIMETERS
Seat Depth	16.30" – 18.70"	414 - 475
Seat Height	15.55" – 20.87"	395 - 530
Seat Width	20.47"	520
Backrest Height	20.67"	525
Chair Width	23.82" (fixed) 24.41 (adjustable)	605 (fixed) 620 (adjustable)
Backrest Width	19.09"	485
Armrest Height	9.21" (fixed) 7.09" – 10.24" (adjustable)	234 (fixed) 180 – 260 (adjustable)
Armrest Length	9.25"	235
Distance Between Armrests	19.88" (fixed) 19.69" (adjustable)	505 (fixed) 500 (adjustable)
Height	34.65" – 39.76"	880 - 1010
Base Diameter	25"	635

	POUNDS	KILOGRAMS
Chair Weight (Armless)	35.5	16.1
Chair Weight (With Arms)	41	18.6

## Base Options

- Black
- Light Grey
- Polished Aluminium with Black
- Polished Aluminium with Light Grey

## Arm Style Options

- Armless
- Fixed Arms (Plastic and Aluminium)
- Adjustable Arms (Plastic)

## Caster Options

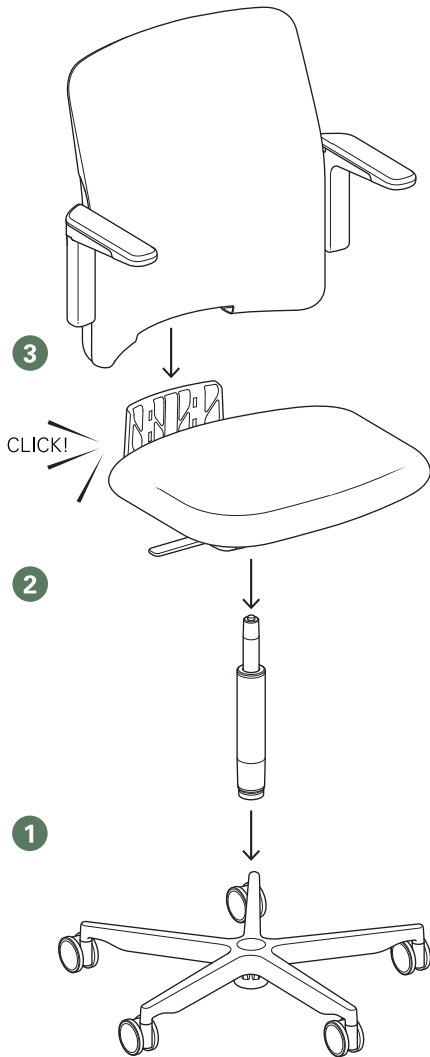
- Hard
- Soft
- Soft braking

## Cylinder Options

- Standard
- Low



<b>EN</b>	1	<b>DA</b>	13
<b>FR</b>	3	<b>NO</b>	15
<b>ES</b>	5	<b>SV</b>	17
<b>IT</b>	7	<b>PL</b>	19
<b>DE</b>	9	<b>JA</b>	21
<b>NL</b>	11	<b>KO</b>	23

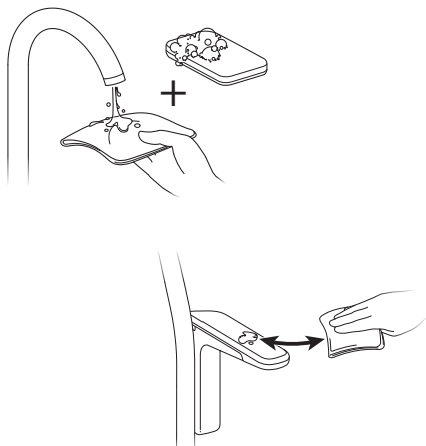


- 1 Install the gas cylinder into the base assembly.
- 2 Install the seat assembly onto the gas cylinder.
- 3 Align the upper back assembly, with the connector on the lower seat assembly and firmly push down until fully engaged. You should hear a click.

The product is designed for adults, exclusively for sitting indoors. This chair is designed for a user up to 300lbs (136kg). Improper use (e.g. as a step ladder, sitting on the armrests etc) may result in damage to property and/or personal injury.

**Caution!** Only trained personnel may replace or repair gas cylinder and seat height adjustment components. Please ensure the correct corresponding casters are used; the casters should be changed before using the chair on different flooring. Hard Casters for soft surfaces (Carpet) and Soft Casters for hard surfaces (Hardwood, Laminate etc) are available.

## Cleaning Guidelines

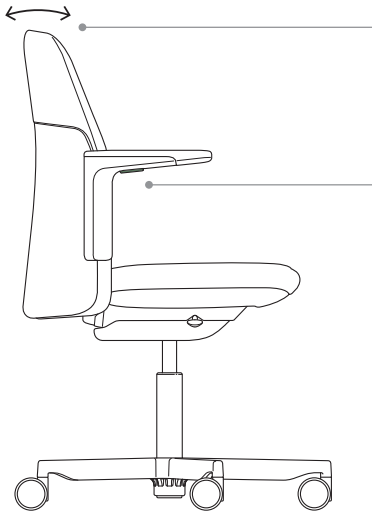


### How to Clean the Chairs Arm Pads and Bases:

- Please use mild soap (i.e. Ivory Liquid Soap) and water
- Gently wipe with a soft cloth to remove dirt and stains
- Dry gently with a dry soft cloth

For a complete cleaning instruction, please refer to the Seating Cleaning Instructions found at [www.humanscale.com/resources/download-library/manuals-installation-maintenance.cfm](http://www.humanscale.com/resources/download-library/manuals-installation-maintenance.cfm)

# Using your Chair



## Recline Tension

Path utilizes a sophisticated mechanism that automatically adjusts the recline tension to match your body weight. To set the recline tension, all you have to do is sit. For better health, minimize static postures by changing recline positions often.

## Backrest/Lumbar Support

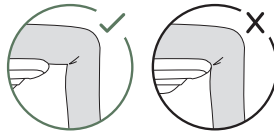
Path's Form Sense Eco Knit™ provides perfect support while automatically adjusting itself to your unique shape. To properly fit the backrest/lumbar support to your body, all you have to do is sit back in the chair and let Path do the rest.

## 1. Seat Height

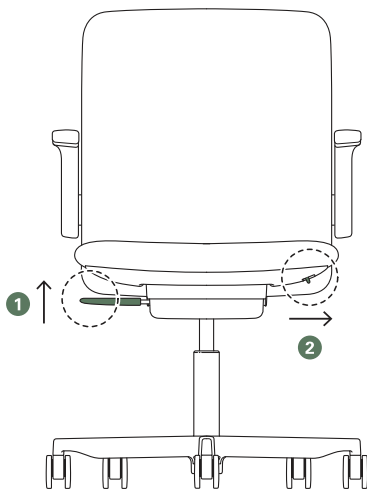


Lift up on lever and position chair to a comfortable height, with your thighs parallel to the floor and your feet fully supported by the floor. Release lever.

## 2. Seat Depth

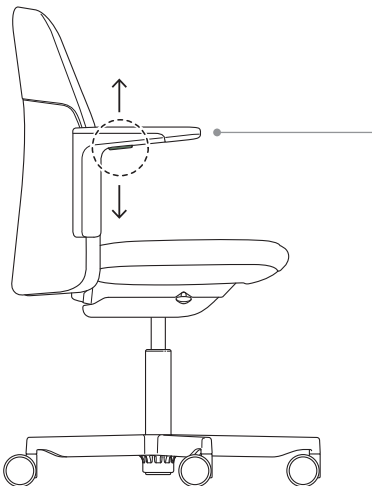


Pull out on lever on the side of the seat to a position such that when you're sitting with your back fully against the backrest, there are 2-4 inches of clearance between the front edge of the seat and the back of your knee. Release lever.



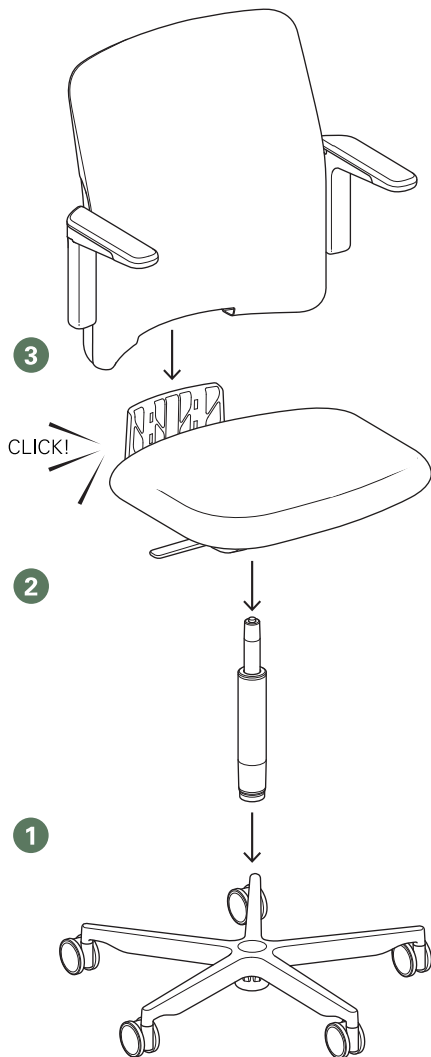
## Adjustable Arms (optional feature)

Depress button on underside of armrest. Reposition armrest to desired height and release.





EN	1	DA	13
FR	3	NO	15
ES	5	SV	17
IT	7	PL	19
DE	9	JA	21
NL	11	KO	23



1 Insérez le vérin à gaz dans le piètement.

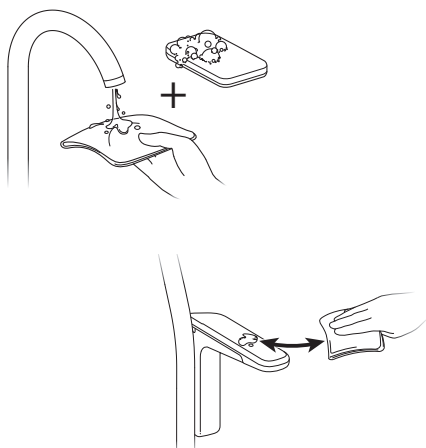
2 Installez l'assise sur le vérin à gaz.

3 Alignez le dossier avec le connecteur qui est sur l'assise et appuyez fermement jusqu'à ce qu'il s'enfonce complètement. Vous devriez entendre un déclic.

Ce produit destiné aux adultes doit exclusivement être utilisé comme siège d'intérieur. Ce fauteuil est conçu pour un utilisateur pesant jusqu'à 136 kg (300 lb). Toute utilisation inappropriée (par exemple, s'en servir comme escabeau, s'asseoir sur les accoudoirs, etc.) peut entraîner des dommages matériels ou corporels.

**Avertissement!** Seul un personnel qualifié est autorisé à remplacer ou réparer les vérins à gaz et les composants de réglage de la hauteur du siège. Veillez à utiliser les roulettes correspondantes; celles-ci doivent être changées avant l'utilisation du fauteuil sur un type de sol différent. Des roulettes robustes pour les surfaces souples (moquette) et des roulettes souples pour les surfaces dures (bois dur, stratifié, etc.) sont disponibles.

## Instructions de nettoyage

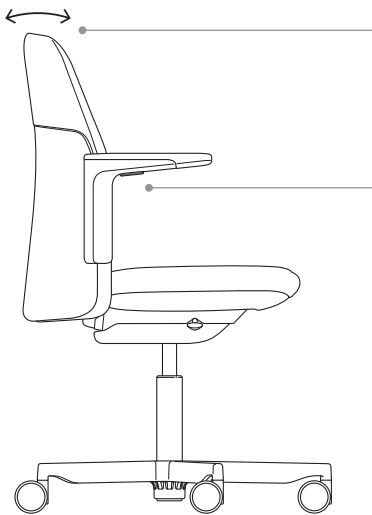


### Comment nettoyer les coussinets d'accoudoirs et le piètement :

- Utilisez un savon doux (par exemple, du liquide vaisselle) et de l'eau
- Essuyez délicatement avec un chiffon doux pour enlever la saleté et les taches
- Séchez délicatement à l'aide d'un chiffon doux et sec

Pour une instruction complète de nettoyage, consultez la section Instructions de nettoyage du siège que vous trouverez à l'adresse [www.humanscale.com/resources/download-library/manuals-installation-maintenance.cfm](http://www.humanscale.com/resources/download-library/manuals-installation-maintenance.cfm)

# Comment utiliser la tension



## Tension d'inclinaison de votre siège

Path est doté d'un mécanisme sophistiqué qui ajuste automatiquement la tension d'inclinaison en fonction de votre poids. Pour régler la tension d'inclinaison, il vous suffit de vous asseoir. Pour votre santé, réduisez au minimum les postures statiques et changez régulièrement de position d'inclinaison.

## Dossier/Support lombaire

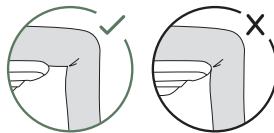
Le dispositif Form Sense Eco Knit<sup>MC</sup> de Path procure un support idéal tout en s'adaptant automatiquement à votre morphologie particulière. Pour adapter le dossier/support lombaire à la morphologie de votre corps, il vous suffit de vous asseoir dans le fauteuil et de laisser Path s'occuper du reste.

## 1. Hauteur du siège

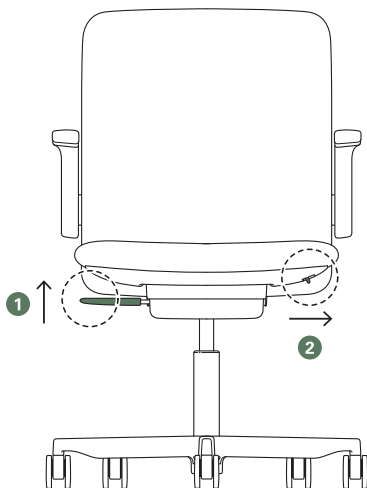


Soulevez le levier et positionnez le fauteuil à une hauteur confortable, en gardant vos cuisses parallèles au sol et vos pieds entièrement appuyés au sol. Relâchez le levier.

## 2. Profondeur du siège

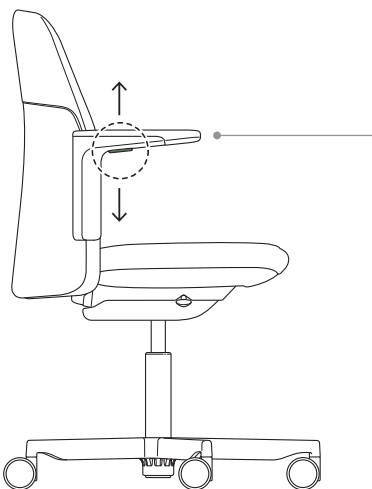


Tirez le levier situé sur le côté du siège jusqu'à atteindre une position offrant un dégagement de 2 à 4 pouces (environ 5 à 10 cm) entre le bord avant du siège et l'arrière de votre genou, lorsque vous êtes assis avec le dos complètement appuyé contre le dossier. Relâchez le levier.



## Bras réglables (en option)

Appuyez sur le bouton situé sous l'accoudoir. Repositionnez l'accoudoir à la hauteur souhaitée et relâchez.

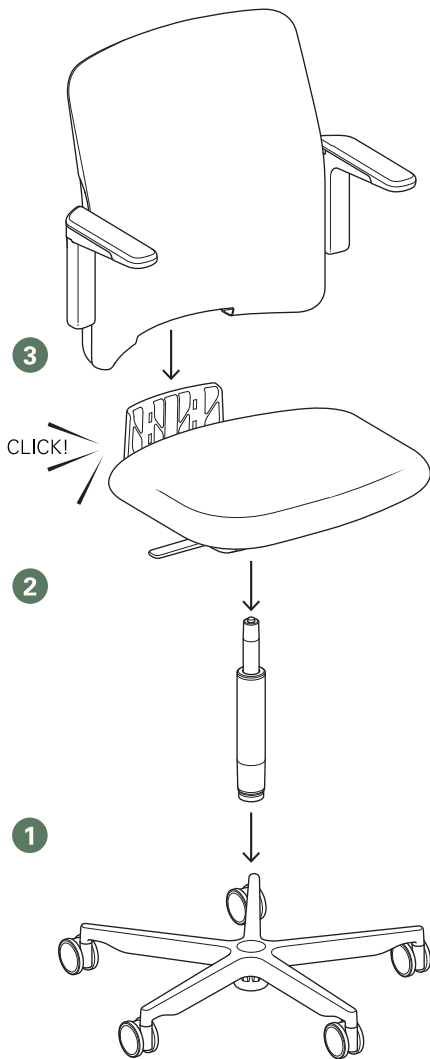


Pour connaître nos conditions générales, rendez-vous sur le site <https://www.humanscale.com/about/legal-information/terms-conditions.cfm>

© 2021 Humanscale Corporation. Le texte et les illustrations de ce document sont protégés par des droits d'auteur. Tous droits réservés. La marque ainsi que le logo de Humanscale sont des marques de commerce de Humanscale Corporation qui sont enregistrées aux États-Unis ainsi que dans certains autres pays.



EN	1	DA	13
FR	3	NO	15
ES	5	SV	17
IT	7	PL	19
DE	9	JA	21
NL	11	KO	23

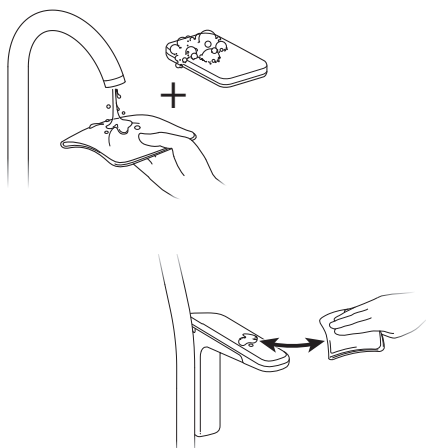


- 1 Instale el cilindro de gas en el conjunto de la base.
- 2 Instale el conjunto del asiento en el cilindro de gas.
- 3 Alinee el conjunto superior trasero con el conector del conjunto del asiento inferior y empujelo hacia abajo firmemente hasta que esté completamente colocado. Debería escuchar un clic.

El producto está diseñado para adultos, exclusivamente para sentarse en interiores. Esta silla está diseñada para usuarios de hasta 136 kg (300 libras). El uso inadecuado (por ejemplo, como escalera de mano, sentarse en los reposabrazos, etc.) puede provocar daños materiales o lesiones personales.

**¡Atención!** Solo el personal debidamente formado puede sustituir o reparar los cilindros de gas y los componentes de ajuste de la altura del asiento. Asegúrese de que se utilicen las ruedas correspondientes correctas; las ruedas deben cambiarse antes de usar la silla en diferentes suelos. Hay disponibles ruedas duras para superficies blandas (alfombra) y ruedas blandas para superficies duras (madera dura, laminado, etc.).

## Pautas de limpieza

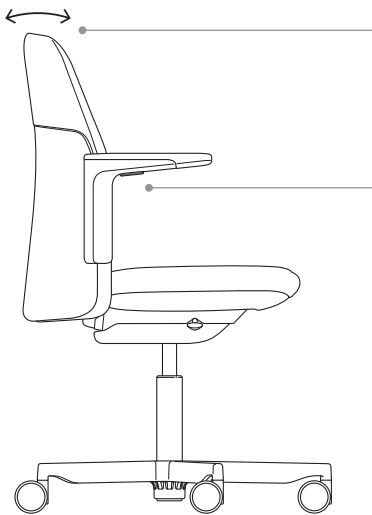


### Cómo limpiar las almohadillas y las bases de los brazos de las sillas:

- Utilice un jabón suave (p. ej., jabón líquido Ivory) y agua.
- Limpie suavemente con un paño suave para eliminar la suciedad y las manchas.
- Seque suavemente con un paño suave y seco.

Para obtener instrucciones de limpieza completas, consulte las Instrucciones de limpieza de asientos que se encuentran en [www.humanscale.com/resources/download-library/manuals-installation-maintenance.cfm](http://www.humanscale.com/resources/download-library/manuals-installation-maintenance.cfm)

# Uso de la silla



## Tensión de inclinación

Path utiliza un mecanismo sofisticado que ajusta automáticamente la tensión de inclinación para que coincida con su peso corporal. Para ajustar la tensión de inclinación, no tiene más que sentarse. Para un mejor estado de salud, evite mantener posturas estáticas y cambie las posiciones de inclinación con frecuencia.

## Respaldo/soporte lumbar

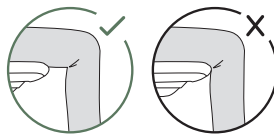
Form Sense Eco Knit™ de Path proporciona un soporte perfecto que se ajusta automáticamente a su forma específica. Para ajustar correctamente el respaldo/soporte lumbar a su cuerpo, solo tiene que sentarse en la silla y dejar que Path haga el resto.

## 1. Altura del asiento

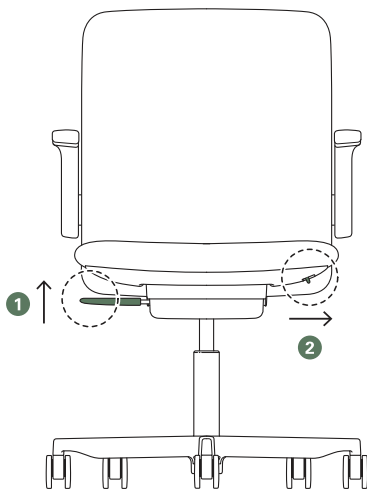


Levante la palanca y coloque la silla a una altura cómoda, con los muslos paralelos al suelo y los pies completamente apoyados. Suelte la palanca.

## 2. Profundidad del asiento

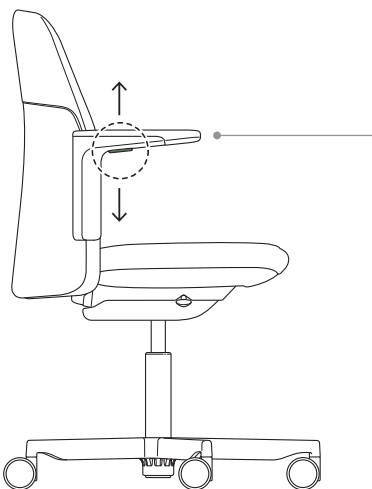


Tire de la palanca en el lateral del asiento hasta una posición tal que cuando esté sentado con la espalda completamente apoyada contra el respaldo, haya 5-10 cm de espacio libre entre el borde delantero del asiento y la parte posterior de la rodilla. Suelte la palanca.



## Brazos ajustables (característica opcional)

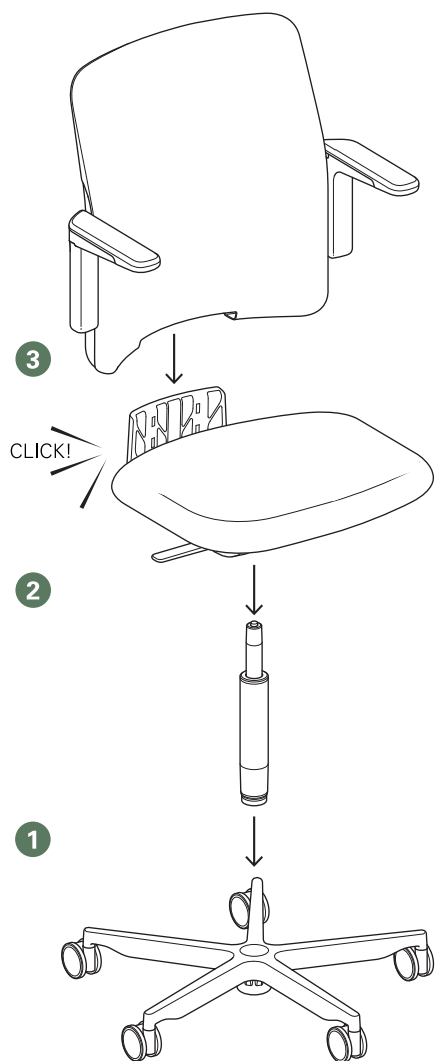
Presione el botón en la parte inferior del reposabrazos. Vuelva a colocar el reposabrazos a la altura deseada y suéltelo.



Para conocer nuestros términos y condiciones, visite <https://www.humanscale.com/about/legal-information/terms-conditions.cfm>

© 2021 Humanscale Corporation. El texto e ilustraciones de este documento están protegidos por derechos de autor. Reservados todos los derechos. La marca y el logotipo de Humanscale son marcas comerciales de Humanscale Corporation y están registradas en los Estados Unidos y en algunos otros países.

EN	1	DA	13
FR	3	NO	15
ES	5	SV	17
<b>IT</b>	<b>7</b>	<b>PL</b>	<b>19</b>
DE	9	JA	21
NL	11	KO	23

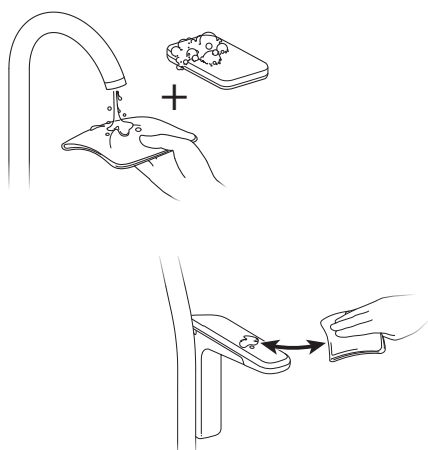


- 1 Installare il cilindro nel gruppo base.
- 2 Installare il gruppo sedia sul cilindro.
- 3 Allineare il gruppo schienale superiore al connettore disponibile sul gruppo sedia inferiore e spingere con decisione verso il basso finché non si aggancia completamente. Si dovrebbe sentire un clic.

Il prodotto è concepito per utenti adulti ed è esclusivamente per interni. La sedia è progettata per sostenere un peso massimo di 136 kg (300 libbre). Qualsiasi uso improprio (ad es. salire sulla seduta con i piedi, sedersi sui braccioli, ecc.) può causare danni alla proprietà e/o lesioni personali.

**Attenzione!** La sostituzione o la riparazione del cilindro o dei componenti per la regolazione dell'altezza della sedia deve essere eseguita solo da personale qualificato. Accertarsi di utilizzare le rotelle corrette e cambiare le rotelle prima di utilizzare la sedia su un pavimento di tipo diverso. Sono disponibili rotelle dure per superfici morbide (tappeti) e rotelle morbide per superfici dure (parquet, laminato, ecc.).

## Istruzioni per la pulizia



### Pulizia dei braccioli e della base:

- Utilizzare un detergente neutro e acqua
- Pulire delicatamente con un panno morbido per rimuovere sporco e macchie
- Asciugare delicatamente con un panno morbido asciutto

Per le istruzioni complete sulla pulizia, consultare le Istruzioni sulla pulizia della sedia disponibili al sito [www.humanscale.com/resources/download-library/manuals-installation-maintenance.cfm](http://www.humanscale.com/resources/download-library/manuals-installation-maintenance.cfm)



# Utilizzo della sedia



## Tensione di inclinazione

La sedia Path è dotata di un meccanismo sofisticato che regola automaticamente la tensione di inclinazione per adattarsi al peso dell'utente. Per regolare la tensione di inclinazione è sufficiente sedersi. Per una postura corretta, cambiare spesso la posizione di inclinazione per evitare di rimanere in una posizione statica troppo a lungo.

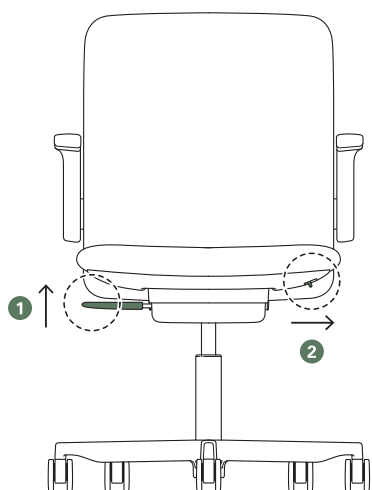
## Schienale/supporto lombare

Form Sense Eco Knit™ di Path fornisce un supporto perfetto perché si adatta automaticamente alla forma del corpo dell'utente. Per adattare correttamente lo schienale/supporto lombare al corpo è sufficiente sedersi sulla sedia Path.

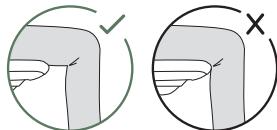
## 1. Altezza sedia



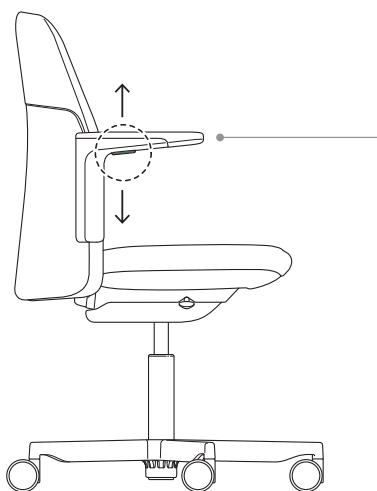
Sollevare la leva verso l'alto e posizionare la sedia a un'altezza confortevole, con le cosce parallele al pavimento e i piedi ben appoggiati al suolo. Rilasciare la leva.



## 2. Profondità della seduta



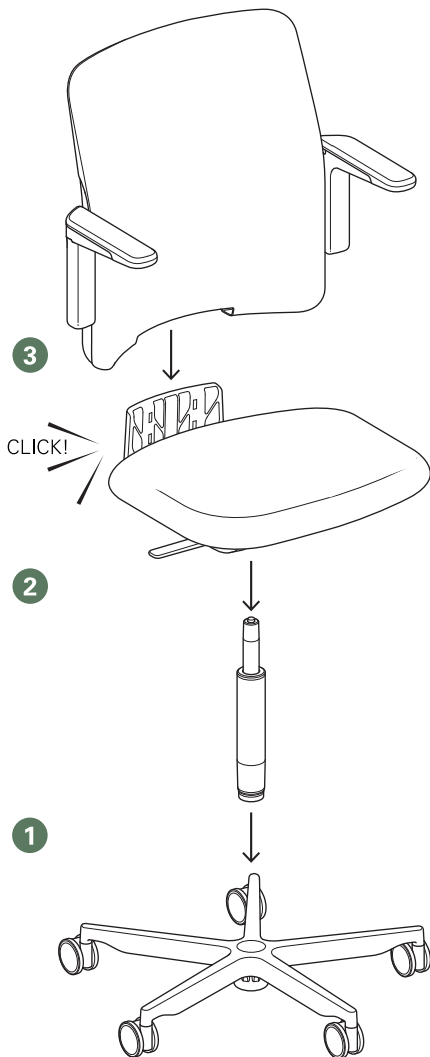
Estrarre la leva dal lato della sedia in modo che quando si è seduti con la schiena completamente appoggiata allo schienale resti uno spazio di 5-10 cm tra la parte anteriore della seduta e l'incavo del ginocchio. Rilasciare la leva.



## Braccioli regolabili (funzione opzionale)

Tenere premuto il pulsante sul lato inferiore del bracciolo. Riposizionare il bracciolo all'altezza desiderata e rilasciare.

EN	1	DA	13
FR	3	NO	15
ES	5	SV	17
IT	7	PL	19
DE	9	JA	21
NL	11	KO	23

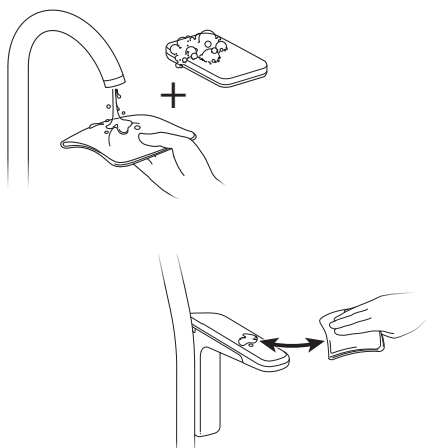


- 1 Stecken Sie den Gaszylinder auf den Sockel des Untergestells.
- 2 Drücken Sie die Sitzfläche auf den Gaszylinder.
- 3 Richten Sie die obere Rückenlehneneinheit mit dem Anschluss an der Sitzeinheit aus und drücken Sie sie ganz nach unten, bis sie fest eingerastet ist. Beim Einrasten sollte ein Klicken zu hören sein.

Das Produkt ist für erwachsene Personen und ausschließlich für die Verwendung in Innenräumen konzipiert. Der Stuhl ist auf eine Gewichtsbelastung mit bis zu 136 kg ausgelegt. Unsachgemäßer Gebrauch (z. B. die Verwendung als Leiter oder das Sitzen auf den Armlehnen, etc.) kann zu Sachschäden und/oder Personenschäden führen.

**Vorsicht!** Der Austausch oder die Reparatur des Gaszylinders oder von Bauteilen zur Höhenverstellung darf nur von geschultem Fachpersonal vorgenommen werden. Stellen Sie sicher, dass geeignete Rollen verwendet werden. Bei Verwendung des Stuhls auf einem anderen Fußbodenbelag sollten die Rollen gewechselt werden. Harte Rollen für weichen Fußbodenbelag (Teppich) und weiche Rollen für Hartböden (Hartholz, Laminat) sind erhältlich.

## Reinigungshinweise

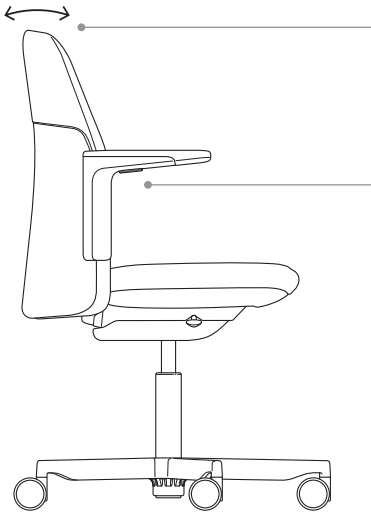


### So reinigen Sie die Armlehnen und die anderen Bauteile des Stuhls:

- Verwenden Sie eine milde Seife (z. B. eine milde Flüssigseife) und Wasser.
- Entfernen Sie Schmutz und Flecken vorsichtig mit einem weichen Tuch.
- Verwenden Sie ein weiches, trockenes Tuch, um die feuchten Flächen trocken zu wischen.

Eine vollständige Reinigungsanleitung finden Sie in den Reinigungsanweisungen für Sitze (Seating Cleaning Instructions) auf [www.humanscale.com/resources/download-library/manuals-installation-maintenance.cfm](http://www.humanscale.com/resources/download-library/manuals-installation-maintenance.cfm)

# Bedienung Ihres Stuhls



## Rückenlehnenspannung

Path verwendet einen ausgefeilten Mechanismus, bei dem sich die Spannung der Rückenlehne automatisch an Ihr Körpergewicht anpasst. Um sie einzustellen, brauchen Sie sich bloß in den Stuhl zu setzen. Es fördert die Gesundheit, statische Körperhaltungen auf ein Minimum zu begrenzen und die Körperposition oft zu ändern.

## Rückenlehne/Lordosenstütze

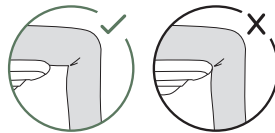
Das Form Sense Eco Knit™-System von Path bietet eine perfekte Unterstützung und passt sich automatisch an Ihre spezifische Körperform an. Um die Rückenlehne/die Lordosenstütze angemessen einzustellen, brauchen Sie sich nur entspannt in den Stuhl zu setzen – Path übernimmt den Rest.

## 1. Sitzhöhe

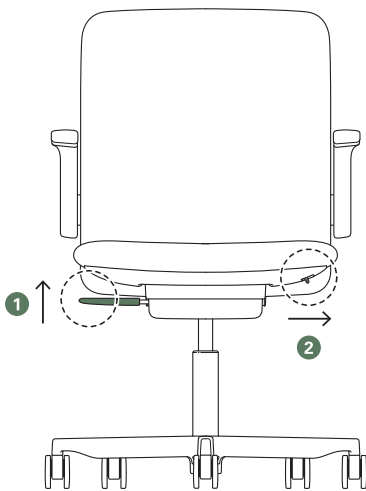


Ziehen Sie den Hebel nach oben, bis Sie eine komfortable Sitzhöhe erreicht haben. Die Position der Oberschenkel sollte parallel zum Boden sein und die Füße sollten fest auf dem Boden stehen. Lassen Sie den Hebel los.

## 2. Sitztiefe

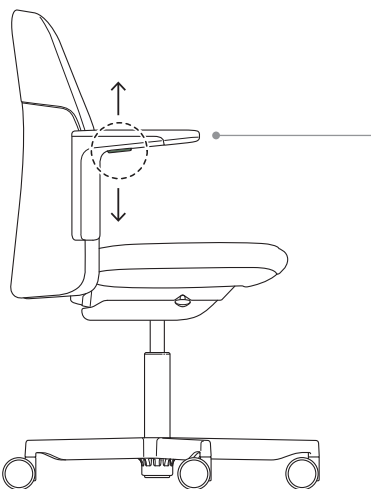


Ziehen Sie den Hebel an der Seite des Sitzes heraus, bis Sie eine Position erreicht haben, bei der Ihre Knie 5 bis 10 cm von der Vorderkante des Sitzes entfernt sind, wenn Sie mit dem Rücken an der Rückenlehne sitzen. Lassen Sie den Hebel los.



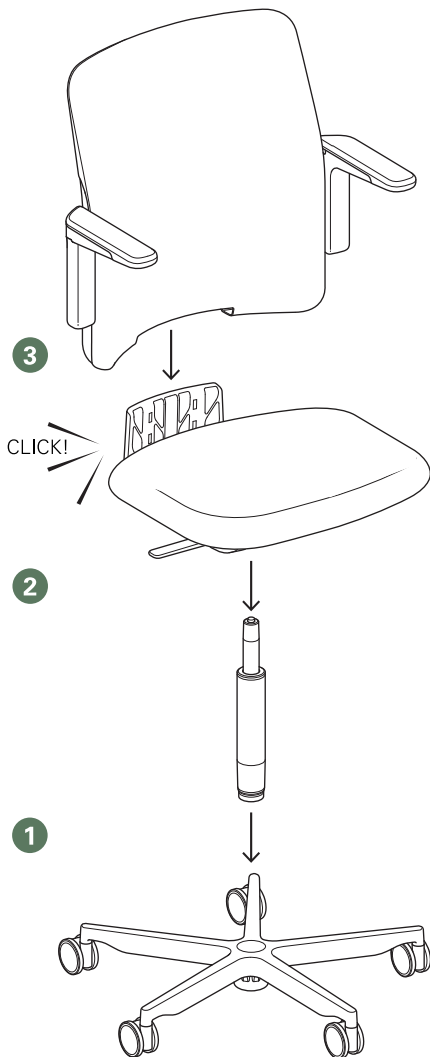
## Einstellbare Armlehnen (optionale Funktion)

Drücken Sie auf den Knopf an der Unterseite der Armlehnen. Stellen Sie die Armlehnen auf die gewünschte Höhe ein und lassen Sie den Knopf los.





EN	1	DA	13
FR	3	NO	15
ES	5	SV	17
IT	7	PL	19
DE	9	JA	21
NL	11	KO	23

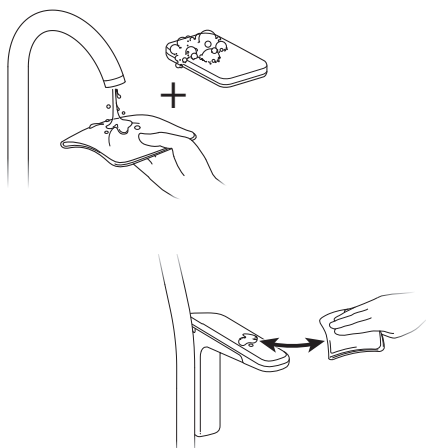


- 1 Installeer de gasveer in de voet.
- 2 Installeer vervolgens het zitgedeelte op de gasveer.
- 3 Centreer het bovenste rugvlak boven het aansluitpunt van het onderstel en druk het stevig vast. Als de rugleuning goed is bevestigd hoort u een klik.

Het product is ontworpen voor volwassenen en voor gebruik binnenshuis. De stoel kan een gewicht dragen van maximaal 136 kg. Onjuist gebruik (bijvoorbeeld als ladder, zitten op de armleuningen etc.) kan leiden tot letsel of schade aan eigendommen.

**Pas op** Alleen gekwalificeerd personeel mag de gascilinders en onderdelen voor het instellen van de hoogte van het zitgedeelte vervangen of repareren. Zorg ervoor dat de juiste wielen worden gebruikt; de wielen moeten vervangen worden als de stoel op een andere ondergrond gebruikt wordt. Er zijn harde wielen voor zachte oppervlakken (tapijt) en zachte wielen voor harde oppervlakken (hout, laminaat etc.) verkrijgbaar.

## Richtlijnen omtrent reiniging



### De armleuningen en voeten van de stoel reinigen:

- Gebruik milde zeep (bv. Ivory Liquid Soap) en water.
- Veeg voorzichtig schoon met een zachte doek om vuil en vlekken te verwijderen.
- Voorzichtig drogen met een droge zachte doek.

Voor volledige instructies, raadpleeg de reinigingsinstructies zitgedeelte op [www.humanscale.com/resources/download-library/manuals-installation-maintenance.cfm](http://www.humanscale.com/resources/download-library/manuals-installation-maintenance.cfm)

# Uw stoel gebruiken



## Kantelen

Path is voorzien van een geavanceerd mechanisme waarmee de rugleuning automatisch wordt aangepast aan uw lichaamsgewicht. Om de kanteling in te stellen hoeft u alleen maar te gaan zitten. Voor een betere gezondheid dient u statische houdingen te beperken door de kanteling regelmatig aan te passen.

## Rugleuning/lendensteun

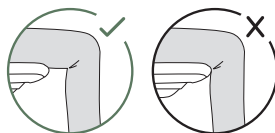
De Form Sense Eco Knit™ van Path zorgt voor de perfecte ondersteuning door zich automatisch aan te passen aan de vorm van uw lichaam. Om de rugleuning/lendensteun goed aan te passen aan uw lichaam, hoeft u alleen maar op de stoel te gaan zitten met de rug tegen de leuning. Path doet de rest.

## 1. Hoogte zitgedeelte

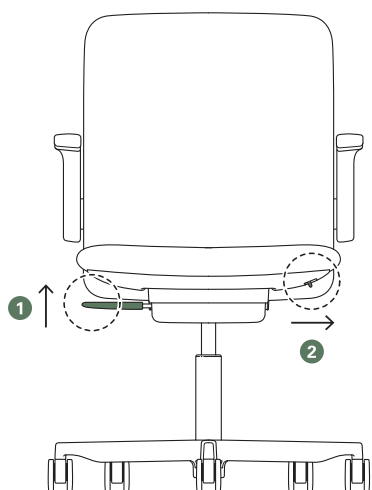


Trek de hendel omhoog en zet de stoel op een comfortabele hoogte waarbij uw dijen parallel zijn aan de vloer en uw voeten volledig worden ondersteund door de vloer. Laat de hendel los.

## 2. Diepte zitgedeelte

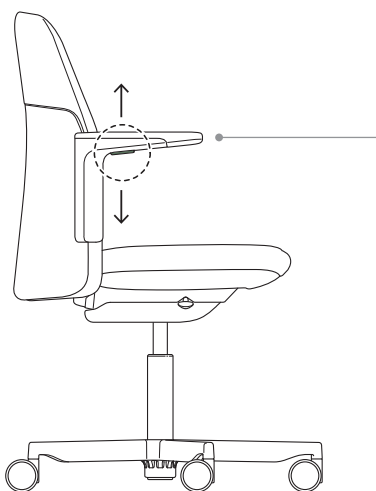


Duw de hendel naast de zitting naar een positie waarin u volledig met uw rug tegen de rugleuning zit met 5-10 cm speling tussen de voorste rand van de zitting en uw knieën. Laat de hendel los.



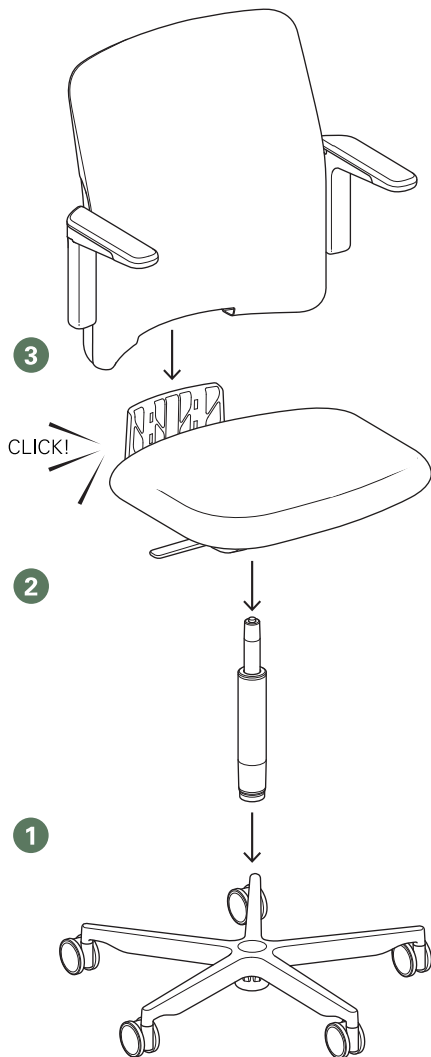
## Verstelbare arMLEUNINGEN (optioneel)

Druk de knop aan de onderzijde van de armsteun in. Verplaats de arMLEUNING naar de gewenste hoogte en laat de knop los.





EN	1	DA	13
FR	3	NO	15
ES	5	SV	17
IT	7	PL	19
DE	9	JA	21
NL	11	KO	23



1 Monter gascylinderen på soklen.

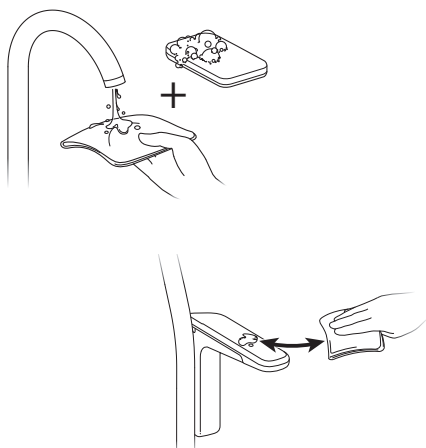
2 Monter sædeenheden på gascylinderen.

3 Justér den øvre stoleryg ind med forbindelsesstykket på sædet, og tryk fast ned, indtil den sidder helt fast. Du bør høre en kliklyd.

Produktet er designet til voksne og udelukkende til indendørs brug. Stolen er designet til en person på op til 136 kg. Ukorrekt brug (f.eks. som en trappestige, at sidde på armlænet, osv.) kan resultere i tings- og/eller personskaade.

**Forsigtig!** Kun uddannet personale må udskifte eller lave reparationer på gascylinder og komponenter forbundet med justering af sædehøjden. Sørg for, at det er de rigtige, tilsvarende hjul, der anvendes. Hjulene bør skiftes, før stolen anvendes på en anden type gulvbelægning. Hårde hjul til bløde underlag (gulvtæppe) og bløde hjul til hårde underlag (trægulve, laminatgulve, osv.) er tilgængelige.

## Rengøringsvejledning



### Sådan rengøres stolens armpuder og underdele:

- Brug mild sæbe og vand
- Tør forsigtigt af med en blød klud for at fjerne snavs og pletter
- Tør forsigtigt efter med en tør klud

Du finder en komplet rengøringsvejledning i Seating Cleaning Instructions (rengøringsvejledning til sæder) på [www.humanscale.com/resources/download-library/manuals-installation-maintenance.cfm](http://www.humanscale.com/resources/download-library/manuals-installation-maintenance.cfm)

# Sådan bruger du din stols funktioner



## Tilbagelæningsmodstand

Path bruger en avanceret mekanisme, der automatisk justerer tilbagelæningsmodstanden, så den passer til din vægt. Du skal blot sidde ned og læne dig tilbage for at indstille tilbagelæningsmodstanden. For bedre helbred bør du minimere stillesiddende arbejde ved at ændre din tilbagelæningsposition ofte.

## Ryg- og lændestøtte

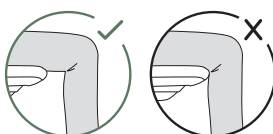
Paths Form Sense Eco Knit™ giver perfekt støtte, samtidig med at det justerer sig selv automatisk efter netop din kropsform. For at tilpasse ryg- og lændestøtten til din krop skal du blot læne dig tilbage i stolen og lade Path gøre resten.

## 1. Sædehøjde

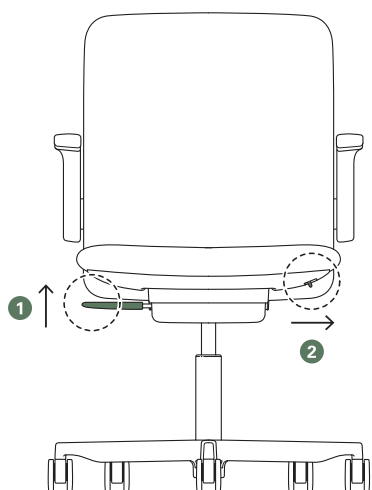


Løft håndtaget op, og indstil stolen til en behagelig højde, hvor dine lår er parallelle med gulvet, og du har dine fødder fladt på gulvet. Slip håndtaget.

## 2. Sædedybde

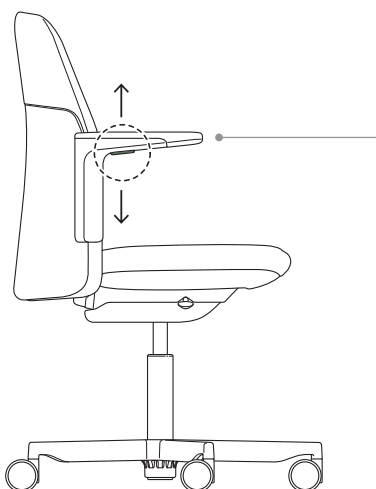


Træk håndtaget på den anden side af stolen ud til siden for at indstille sædedybden således, at når du sidder med din ryg helt tilbage i stolen, så er der 5-10 cm mellem sædets forkant og bagsiden af dit knæ. Slip håndtaget.



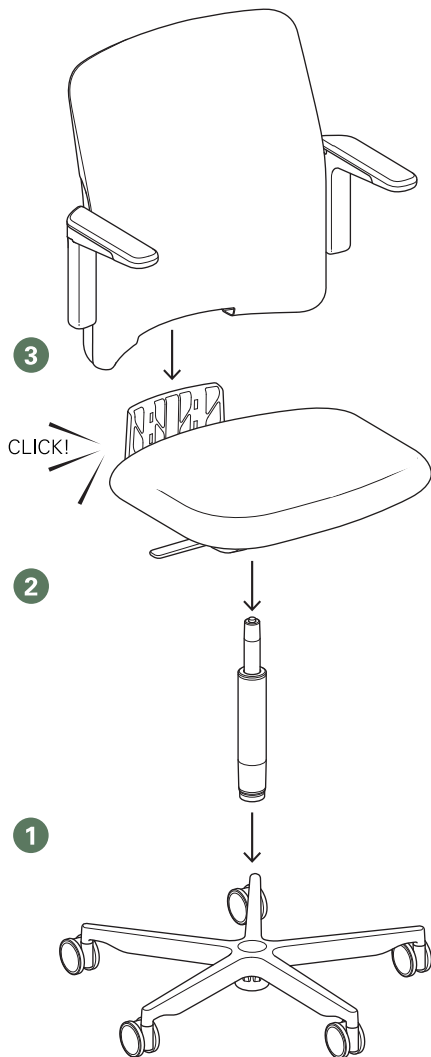
## Justerbare armlæn (valgfri funktion)

Tryk knappen på undersiden af armlænet ned. Juster armlænet til den ønskede højde, og slip knappen.





EN	1	DA	13
FR	3	NO	15
ES	5	SV	17
IT	7	PL	19
DE	9	JA	21
NL	11	KO	23



1 Fest gassylinderen på basemonteringen.

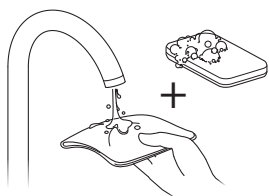
2 Fest setemonteringen på gassylinderen.

3 Innrett den øvre ryggmonteringen med festepunktet på den nedre setemonteringen, og trykk hardt ned til delene er koblet sammen. Du skal høre et klikk.

Produktet er utformet for voksne og er utelukkende for sitting innendørs. Denne stolen er utformet for brukere som veier opptil 136 kg. Feilaktig bruk (f.eks. å stå på setet, sitte på armlenene osv.) kan føre til personskade eller materielle skader.

**Forsiktig!** Det er kun kvalifisert personale som kan bytte ut eller reparere gassylindere og komponenter for justering av setehøyde. Sørg for at riktige hjul brukes – hjulene skal byttes før du bruker stolen på et annet underlag. Det finnes harde hjul for mykt underlag (som teppe) og myke hjul for harde overflater (parkett, laminat).

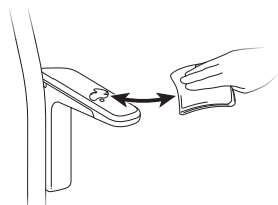
## Rengjøringsveiledning



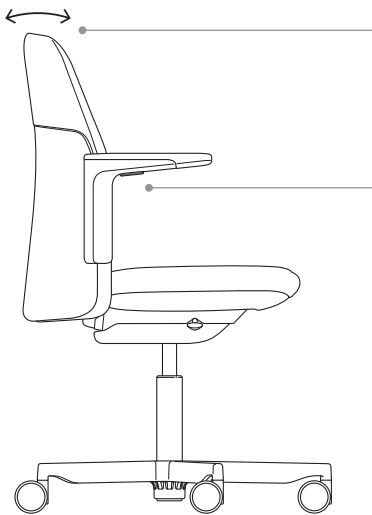
### Slik rengjør du stolens armlener og flater:

- Bruk vann og en skånsom såpe
- Vask forsiktig med en myk klut for å fjerne smuss og flekker
- Tørk forsiktig med en tørr, myk klut

For å få fullstendige rengjøringsinstruksjoner kan du se rengjøringsinstruksjonene for seter på [www.humanscale.com/resources/download-library/manuals-installation-maintenance.cfm](http://www.humanscale.com/resources/download-library/manuals-installation-maintenance.cfm)



# Bruk av stolen



## Tilbakeleningsspenning

Path benytter en sofistikert mekanisme som automatisk justerer tilbakeleningsspenningen i henhold til kroppsvekten din. Alt du trenger å gjøre for å angi tilbakeleningsspenning, er å sette deg. Unngå statisk holdning ved å bytte tilbakeleningstilling ofte. Slik får du færre helseproblemer.

## Stolrygg/korsryggstøtte

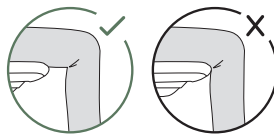
Paths Form Sense Eco Knit™ gir perfekt støtte og tilpasser seg automatisk til din unike fasong. For å tilpasse stolryggen/korsryggstøtten til kroppen din trenger du bare å lene deg tilbake i stolen og la Path gjøre resten.

## 1. Setehøyde

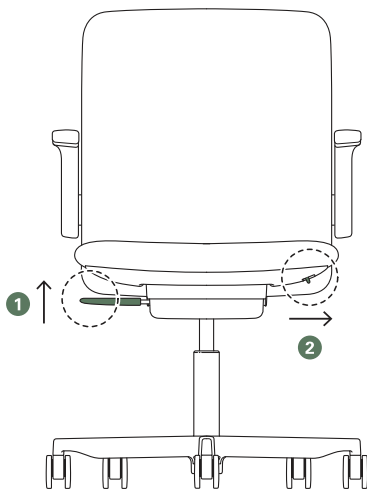


Løft spaken og plasser stolen i en komfortabel høyde, slik at lårene er parallelle med gulvet og føttene er plassert flatt på gulvet. Slipp spaken.

## 2. Setedybde

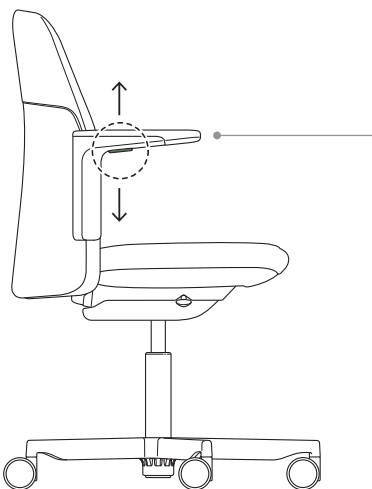


Dra spaken på siden av setet til en slik stilling at det er 5–10 cm mellom kanten på setet og baksiden av knærne dine når du sitter med ryggen helt inntil stolryggen. Slipp spaken.



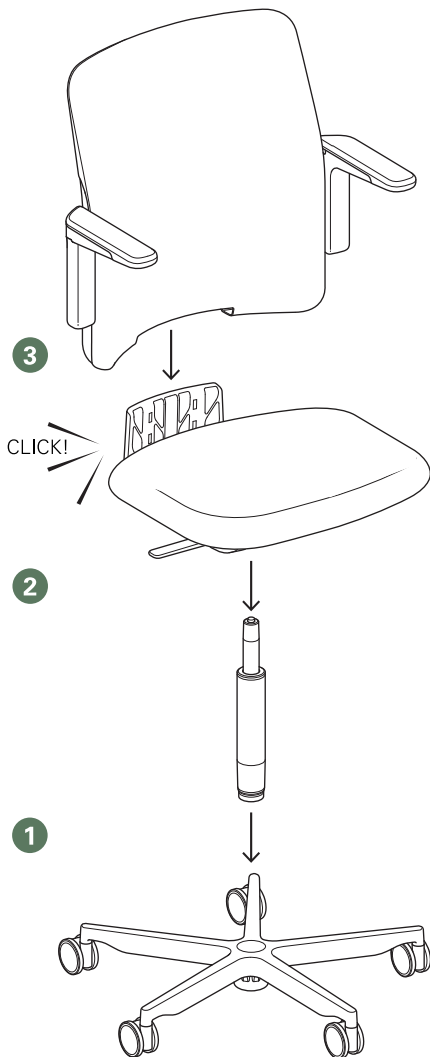
## Justerbare armlener (valgfri funksjon)

Trykk inn knappen på undersiden av armlenet. Flytt armlenet til ønsket høyde og slipp knappen.





EN	1	DA	13
FR	3	NO	15
ES	5	SV	17
IT	7	PL	19
DE	9	JA	21
NL	11	KO	23



1 Montera gascylindern i basen.

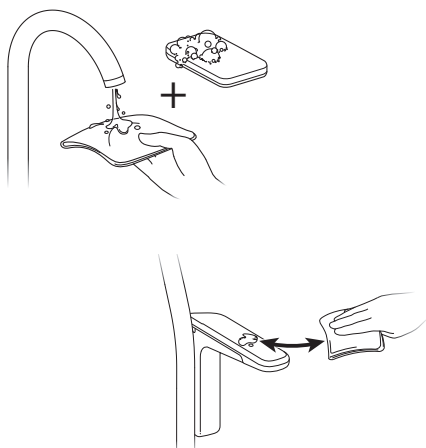
2 Montera sätesmonteringen på gascylindern.

3 Passa in ryggstödet med anslutningen på sätesmonteringen och tryck ned tills det sitter fast ordentligt. Du ska höra ett klick.

Produkten är utformad för vuxna och är endast avsedd för inomhusbruk. Stolen är utformad för användare som väger upp till 136 kg. Felaktig användning (t.ex. som steg, sitta på armstöden osv.) kan resultera i skador på egendom och/eller personsador.

**Varning!** Endast utbildad personal får ersätta eller reparera gascylindern och sätets höjdjusteringskomponenter. Säkerställ att de korrekta hjulen används. Hjulen bör ändras innan stolen används på en annan golvtyp. Hårda hjul för mjuka underlag (matta) och mjuka hjul för hårda underlag (trägol, laminat osv.) finns tillgängliga.

## Riktlinjer för rengöring



### Så här rengör du armdynorna och armstöden:

- Använd mild tvål och vatten
- Ta bort smuts och fläckar genom att torka av försiktigt med en mjuk trasa
- Torka försiktigt med en torr mjuk trasa

Fullständiga rengöringsanvisningar finns i sätesrengöringsanvisningarna på [www.humanscale.com/resources/download-library/manuals-installation-maintenance.cfm](http://www.humanscale.com/resources/download-library/manuals-installation-maintenance.cfm)

# Använda stolen



## Lutningsspänning

Path använder en sofistikerad mekanism som automatiskt justerar lutningsspänningen efter din kroppsvikt. Det enda du behöver göra för att ställa in lutningsspänningen är att sätta dig ner. För hälsans skull är det bäst att minimera statiska lägen genom att ändra lutningsposition ofta.

## Rygg-/ländstöd

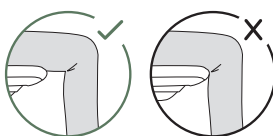
Paths Form Sense Eco Knit™ ger ett perfekt stöd samtidigt som den automatiskt justerar sig efter din unika form. Det enda du behöver göra för att passa in rygg-/ländstödet efter din kropp är att luta dig tillbaka i stolen och låta Path sköta resten.

## 1. Säteshöjd

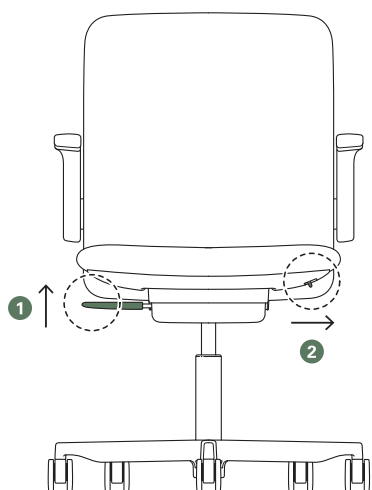


Lyft upp spaken och placera stolen i en bekväm höjd. Låren ska vara parallella med golvet och båda fotsulorna vila helt mot golvet. Släpp spaken.

## 2. Sätetsdjup

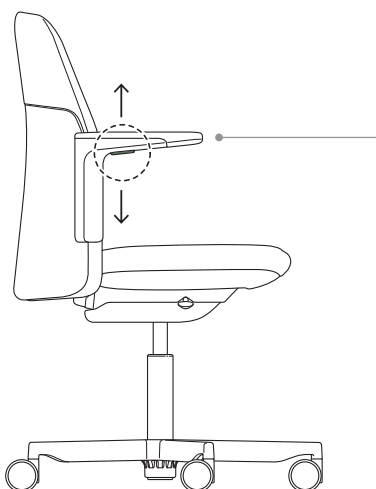


Dra spaken på sätets sida till ett läge där det finns ett mellanrum på 5–10 cm mellan framkanten av sätet och baksidan av dina knän när du sitter med ryggen helt mot ryggstödet. Släpp spaken.



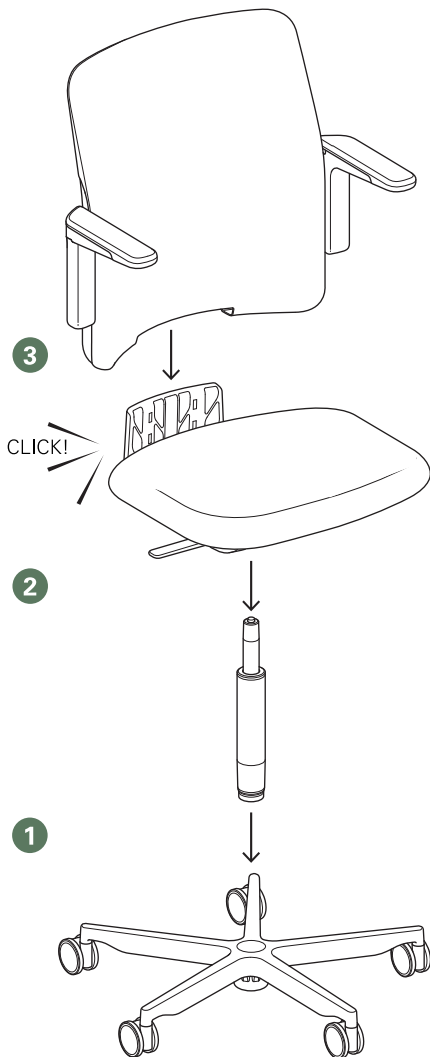
## Justerbara armstöd (valfri funktion)

Tryck in knappen på armstödetts undersida. Placera armstödet i önskad höjd och släpp.





EN	1	DA	13
FR	3	NO	15
ES	5	SV	17
IT	7	PL	19
DE	9	JA	21
NL	11	KO	23

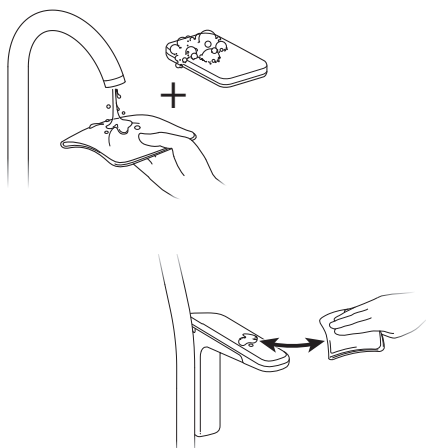


- 1 Zamontuj amortyzator pneumatyczny do zespołu podstawy.
- 2 Zamontuj zespół siedziska do amortyzatora pneumatycznego.
- 3 Dopasuj górny zespół oparcia do elementu łączącego zespół siedziska i pewnie dociśnij oparcie do całkowitego zamontowania. Powinien być słyszalny odgłos zatrzaśnięcia.

Produkt jest przeznaczony dla dorosłych, wyłącznie do użytku w pomieszczeniach. Ten fotel został zaprojektowany dla osób o ciężarze nieprzekraczającym 136 kg. Niewłaściwe użytkowanie (np. stanie na siedzisku, siadanie na podłokietnikach itp.) może spowodować szkody w mieniu lub obrażenia ciała.

**Uwaga!** Amortyzatory pneumatyczne i części służące do regulacji wysokości siedziska mogą wymieniać lub naprawiać wyłącznie przeszkolone osoby. Należy się upewnić, że używane są odpowiednie kółka; zanim fotel będzie użytkowany na innym rodzaju podłogi, kółka należy zmienić. Dostępne są kółka twarde, które przeznaczone są do miękkich nawierzchni (wykładziny dywanowe), oraz kółka miękkie, które przeznaczone są do twardych nawierzchni (parkiet, panele itp.).

## Wytyczne dotyczące czyszczenia



### Jak czyścić okładziny i korpusy podłokietników:

- Używaj wody z łagodnym mydłem (takim jak mydło w płynie Ivory).
- Delikatnie przecierając powierzchnię miękką szmatką, usuń plamy i zabrudzenia.
- Osusz, delikatnie używając miękkiej suchej szmatki.

Kompletny opis czyszczenia można znaleźć w instrukcjach czyszczenia siedzisk dostępnych pod adresem [www.humanscale.com/resources/download-library/manuals-installation-maintenance.cfm](http://www.humanscale.com/resources/download-library/manuals-installation-maintenance.cfm)

# Użytkowanie fotela



## Siła oporu oparcia

W modelu Path zastosowano specjalny mechanizm, który automatycznie dopasowuje siłę oporu oparcia do masy ciała użytkownika. Aby ustawić odpowiednią siłę oporu, wystarczy usiąść. Ze względów zdrowotnych wskazane jest, aby jak najkrócej pozostawać nieruchomo, często zmieniając odchylenie pleców.

## Oparcie/podparcie lędźwi

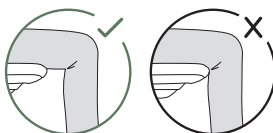
Rozwiązanie Form Sense Eco Knit™ w modelu Path zapewnia doskonałe wsparcie, samoczynnie dostosowując się do niepowtarzalnej sylwetki użytkownika. Aby należycie dopasować oparcie/podparcie lędźwi do swojego ciała, wystarczy usiąść na fotelu i oprzeć się, a resztą zajmie się Path.

## 1. Wysokość siedziska

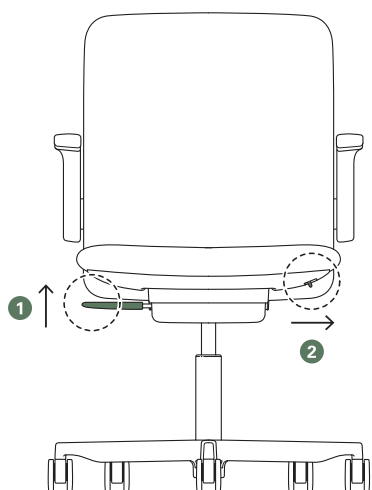


Unieś dźwignię i ustaw siedzisko na wygodnej wysokości, tak aby uda były równoległe do podłogi, a stopy całkowicie spoczywały na podłodze. Zwolnij dźwignię.

## 2. Głębokość siedziska

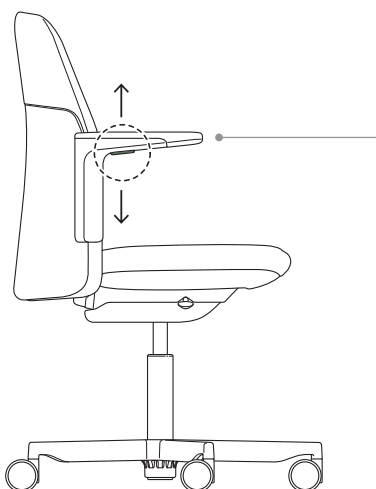


Odciągnij dźwignię znajdującą się z boku siedziska do takiego położenia, w którym podczas siedzenia z całym plecami spoczywającymi na oparciu pozostaje luz wielkości 5–10 cm między przednim brzegiem siedziska a zgięciem kolanowym. Zwolnij dźwignię.



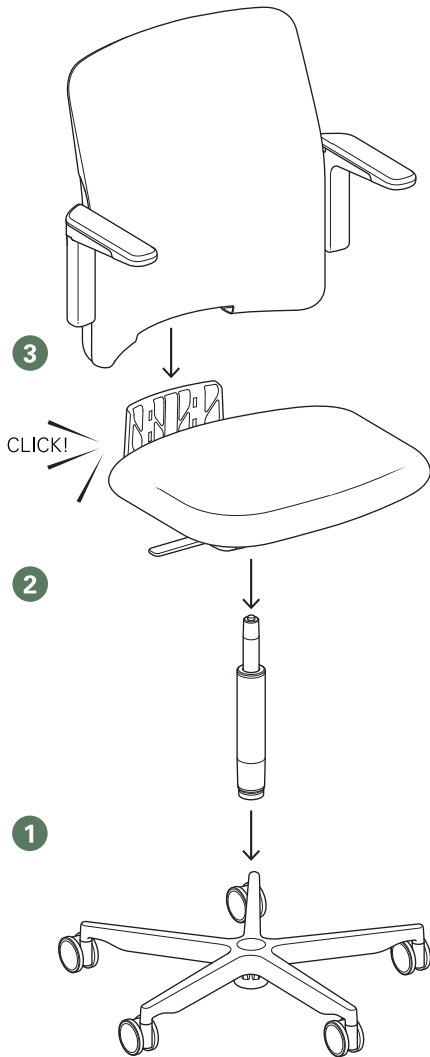
## Regulowane podłokietniki (wyposażenie opcjonalne)

Naciśnij przycisk znajdujący się na spodzie podłokietnika. Przetwórz podłokietnik na pożądaną wysokość, po czym zwolnij przycisk.





EN	1	DA	13
FR	3	NO	15
ES	5	SV	17
IT	7	PL	19
DE	9	JA	21
NL	11	KO	23



1 ガスシリンダーをベースアセンブリーに取り付けます。

2 シートアセンブリーをガスシリンダーに取り付けます。

3 上部の背もたれアセンブリーを下部のシートアセンブリーのコネクタに合わせて配置し、完全にかみ合うまでしっかりと押し込みます。カチッという音がするはずですが、

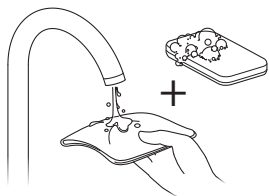
本製品は大人向けに設計されており、室内で座ることを目的としています。このチェアは体重136kg (300lbs) までのユーザー向けに設計されています。誤った使用（脚立として使用したり、アームレストに座るなど）は、器物破損および人身傷害につながる可能性があります。

警告！ガスシリンダーおよびシートの高さ調整部品の交換または修理は、訓練を受けた人員のみが行ってください。対応する適切なキャスターが使用されていることを確認してください。異なる床面でチェアを使用する場合には、必ずキャスターを交換してください。柔らかい床（カーペット）用の硬い素材のキャスターと、硬い床（硬材、ラミネートなど）用の柔らかい素材のキャスターがあります。

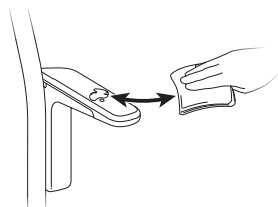
## お手入れのガイドライン

チェアのアームパッドとベースのお手入れ方法:

- 中性洗剤（Ivoryの液体洗剤など）と水をお使いください
- 柔らかい布でやさしく拭いて汚れやシミを落とします
- 乾いた柔らかい布でやさしく乾かします



お手入れ手順の詳細については、[www.humanscale.com/resources/download-library/manuals-installation-maintenance.cfm](http://www.humanscale.com/resources/download-library/manuals-installation-maintenance.cfm)に掲載されている「Seating Cleaning Instructions」を参照してください。



# チェアの使用



## リクライニングの強さ

Pathは、使用者の体重に合わせてリクライニングの強さを自動的に調整する高度なメカニズムを採用しています。座っているだけでリクライニングの強さを設定できます。健康のため、リクライニングの位置を頻繁に変え、極力同じ姿勢をとり続けないようにしましょう。

## バックレスト/ランバーサポート

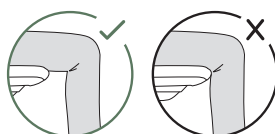
PathのForm Sense Eco Knit™は、使用者の姿勢に自動的に適応しながら、完璧なサポートを提供します。バックレスト/ランバーサポートを体に正しくフィットさせるには、チェアに座って、あとはPathに任せるだけです。

## 1. シートの高さ

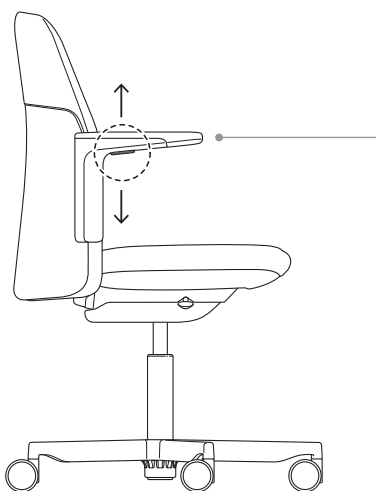
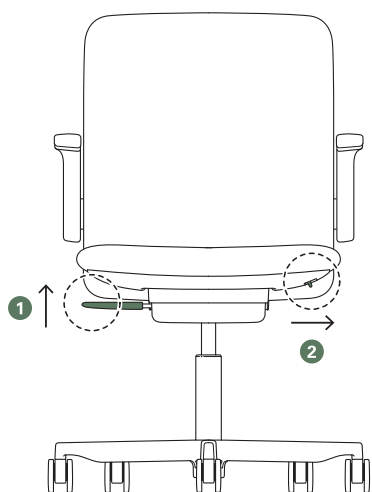


レバーを上げてチェアを快適な高さに調整し、太ももが床と平行になり、足裏が床にぴったりつくようにします。レバーを離します。

## 2. シートの深さ



バックレストに背中をぴったりつけて座った状態で、シート前端と膝の裏側の間に2~4インチの隙間ができる位置まで、シート側面のレバーを引き出します。レバーを離します。



## アジャスタブルアーム（オプション機能）

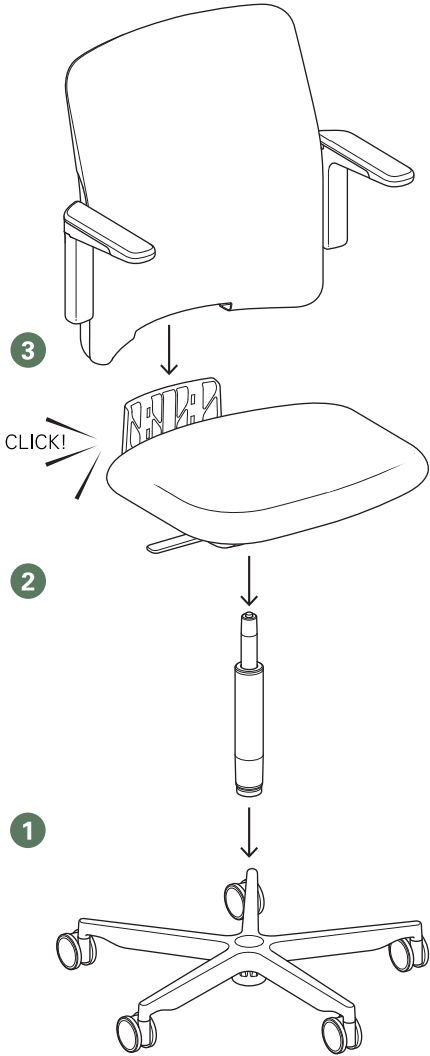
アームレストの下側にあるボタンを押します。アームレストを好みの高さに調節して、手を離します。

当社の利用規約について：

<https://www.humanscale.com/about/legal-information/terms-conditions.cfm>

© 2021 Humanscale Corporation. テキストおよびアートワークは著作権で保護されています。無断転載は禁じられています。Humanscaleのマークおよびロゴは、Humanscale Corporationの商標であり、米国およびその他の国で登録されています。

EN	1	DA	13
FR	3	NO	15
ES	5	SV	17
IT	7	PL	19
DE	9	JA	21
NL	11	KO	23



1 가스 실린더를 다리 조립체에 장착하십시오.

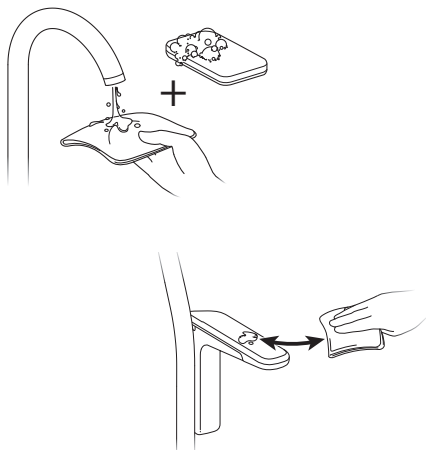
2 시트 조립체를 가스 실린더에 장착하십시오.

3 위쪽 등 조립체를 아래쪽 시트 조립체의 연결부와 맞추고 완전히 맞물릴 때까지 아래로 세게 누릅니다. 딸깍 소리가 나야 합니다.

이 제품은 실내 착석용이며 성인을 기준으로 설계되었습니다. 이 의자는 최대 136kg(300lbs)까지의 몸무게를 지지하도록 설계되었습니다. 밟고 올라서거나 암 레스트에 앉는 등 부적절하게 사용하면 재산 피해 또는 부상을 야기할 수 있습니다.

**조심!** 숙련된 사람만이 가스 실린더 및 시트 높이조절 부품을 교환하거나 수리할 수 있습니다. 바닥에 맞는 정확한 캐스터를 사용하고 있는지 확인해 주십시오! 다른 바닥에서 사용하기 전에 캐스터를 변경해야 합니다. 부드러운 표면(카펫)에 사용하는 하드 캐스터와 단단한 표면(경질목, 코팅면 등)에 사용하는 소프트 캐스터가 있습니다.

## 청소 안내



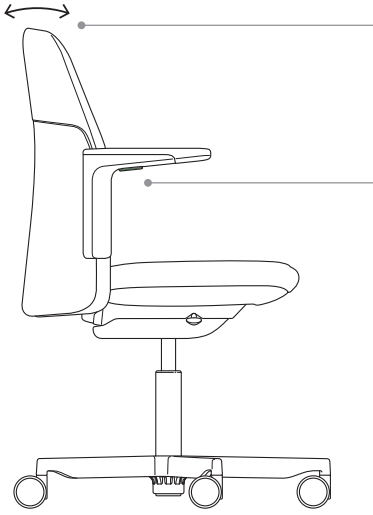
### 의자 암 패드와 다리 부분 청소 방법:

- 순한 비누(즉 아이보리색 액상 비누)와 물을 사용하십시오.
- 부드러운 천으로 가볍게 먼지와 얼룩을 제거하십시오.
- 부드러운 마른 천으로 가볍게 말리십시오.

의자 전체 청소에 대한 안내는 다음 주소에 있는 의자 클리닝 안내문을 참조하십시오.  
[www.humanscale.com/resources/download-library/manuals-installation-maintenance.cfm](http://www.humanscale.com/resources/download-library/manuals-installation-maintenance.cfm)



# 의자 사용법



## 리클라이닝 장력

Path는 사용자의 몸무게에 맞춰 리클라이닝 장력이 자동으로 조절되는 정교한 메커니즘으로 설계되어 있습니다. 그냥 앉으면 리클라이닝 장력이 조절됩니다. 리클라이닝 위치를 자주 변경하면서 한 자세로 있는 시간을 최소화하면 건강에 도움이 됩니다.

## 백레스트/요추 지지대

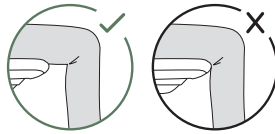
Path의 Form Sense Eco Knit™은 사용자의 고유한 체형에 맞춰 자동으로 조절되는 완벽한 지지력을 제공합니다. 그냥 의자에 앉아 뒤로 기대어 있으면 백레스트/요추 지지대가 몸에 정확히 맞춰집니다.

## 1. 착석 높이

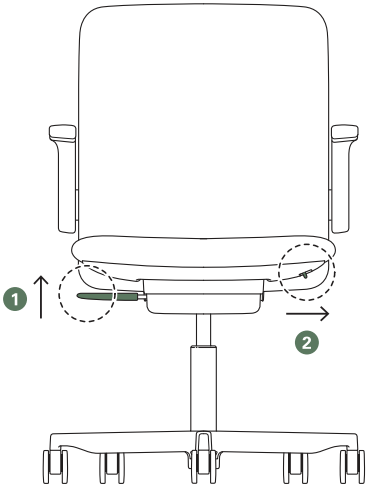


허벅지를 바닥과 나란히 하고 발바닥을 바닥에 완전히 댄 상태에서 레버를 위로 당겨 의자를 편안한 높이까지 맞추십시오. 레버에서 손을 떼십시오.

## 2. 시트 깊이

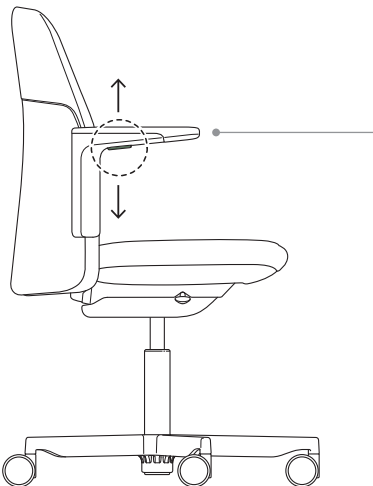


앉았을 때 등이 완전히 백레스트에 닿고 시트 모서리와 무릎 뒤 사이의 간격이 2~4인치 가 될 때까지 시트 옆면에 있는 레버를 당기십시오. 레버에서 손을 떼십시오.



## 조절식 암(옵션)

암레스트 아래의 버튼을 누르십시오. 암레스트의 위치를 원하는 높이까지 조절하고 손을 떼십시오.



당사 이용약관을 확인하려면 아래 주소를 방문해 주십시오.  
<https://www.humanscale.com/about/legal-information/terms-conditions.cfm>

© 2021 Humanscale Corporation. 이 설명서의 문안과 도안은 저작권의 보호를 받습니다. 모든 권리 보유. Humanscale 마크와 로고는 Humanscale Corporation의 상표이며 미국을 비롯한 몇몇 국가들에 등록되어 있습니다.

Humanscale®

# FormSense Eco Knit™







# Design Background

Exclusively created for our Path chair, Revital is our FormSense Eco Knit™ that is made of 100% post-consumer recycled polyester. Derived from upcycled plastic bottles, this textile utilises 3D knit technology that individually controls each stitch, creating intricate and systematic patterns with targeted zones of tension. This allows the material to fit the contours of the body, providing self-adjusting lumbar support that is tailored to fit every user.

Because this textile is knit to shape, there is no cutting or sewing, creating zero waste.

Like our other textile options, Revital has no stain resistant coating, which contain chemicals known to pose serious health risks.

At the intersection of performance and sustainability, Revital is another great addition to our textile offering.

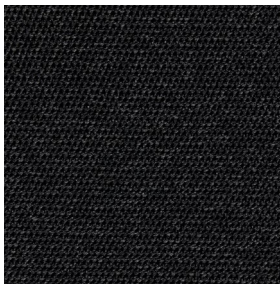
**LOW  
ABRASION**

**68  
UPCYCLED  
PET  
BOTTLES**

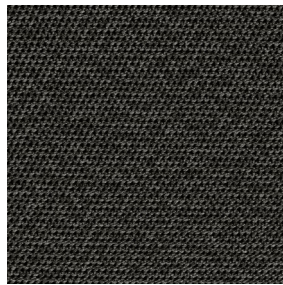


# Available Colours

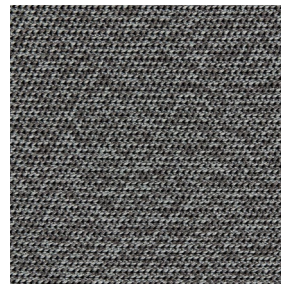
Taking cues from the evolving design of work environments, Revital's colour palette is inspired by warm, elegant, and neutral hues. Its multi-toned weave comes in 6 colours that effortlessly compliments any environment.



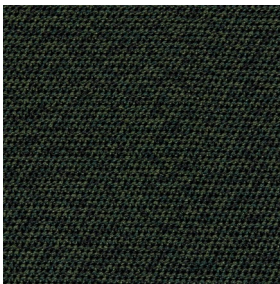
Soft Black  
KT10



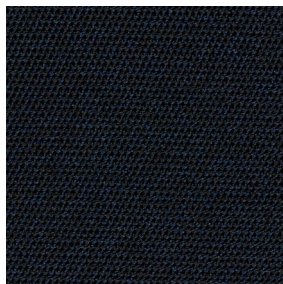
Graphite  
KT11



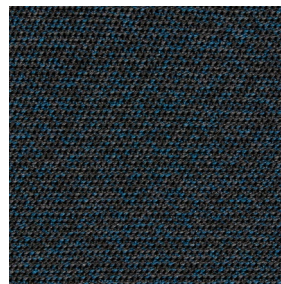
Storm  
KT12



Evergreen  
KT42



Midnight  
KT50



Blue Steel  
KT51

# Technical Specifications

Revital has responsive stretch that easily conforms to our cushions providing a more comfortable and softer sitting experience.

Like all our textiles, Revital - FormSense Eco Knit is tested to rigorous industry standards for strength and longevity.



	Test	Test Criteria	Result
Abrasion Testing	Wyzenbeek	ASTM D4157	Seat: 45,000 Back: 20,000
	Martindale	ASTM D4966	Seat: 194,000 Back: 114,000
Flammability	CAL 117	CATB 117-2013	Pass
		NFPA 260 (UFAC)	
Wet and Dry Crocking	Crocking (Dry)	AATCC 8	Seat and Back: Grade 4.5
	Crocking (Wet)	AATCC 8	Seat and Back: Grade 4.5
Colourfastness to Light	Light Fastness	AATCC 16	Seat and Back: Grade 4.5
Pilling Resistance	Brush Pill	ASTM D3511	Seat: Class 4.0 Back: Class 4.5
Cleaning	Colourfastness to Solvent (Spotting Mild Soap & Water)	AATCC Test Method 157 MOD	Grade 5
	Colourfastness to Solvent (Spotting Carbona Upholstery Cleaner)	AATCC Test Method 157 MOD	Grade 5
	Colourfastness to Solvent (Spotting Formula 409)	AATCC Test Method 157 MOD	Grade 5
	Colourfastness to Solvent (Spotting 50% Alcohol)	AATCC Test Method 157 MOD	Grade 5
	Colourfastness to Solvent (Spotting Bleach 1/10)	AATCC Test Method 157 MOD	Grade 5
	Colourfastness to Solvent (Spotting Hand Sanitiser (Purell Advanced Hand Sanitiser))	AATCC Test Method 157 MOD	Grade 5
Bleach Cleanable	1:10 Bleach 1:4 Bleach	BIFMA HCF 8.1 Section Cited by ACT as Test Method 1-2020	Grade 5