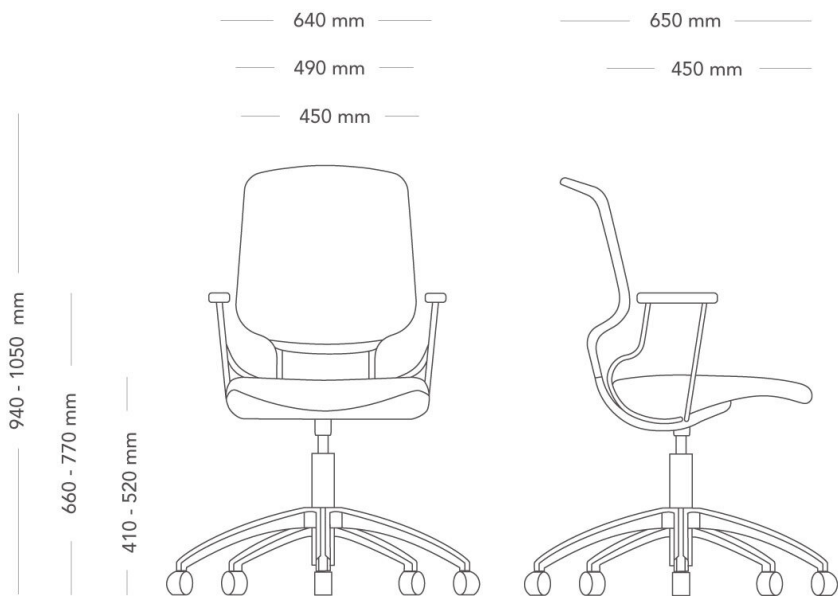




# Savo Invite

## MEETING CHAIR

Invite is a mix between an office chair and a meeting chair. The unique tilting function of Invite provides comfortable lumbar support. This is a multifaceted chair that can be used both as a meeting chair and as a work chair. Regardless of the variant, you get a comfortable office chair that exudes premium and style.

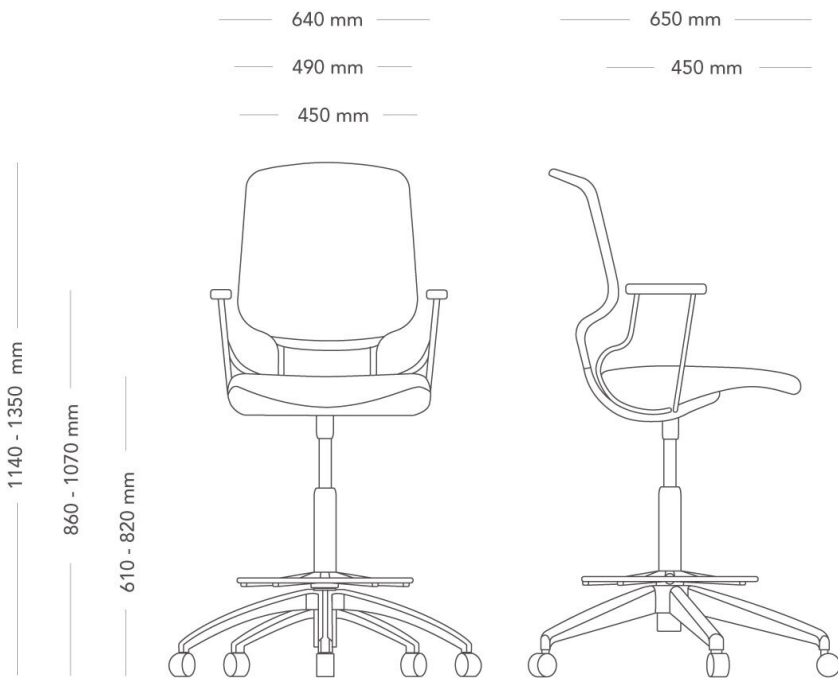


MODEL	Invite meeting chair	
ACCESSORIES	<ul style="list-style-type: none"> <li>- Armrests</li> <li>- Castors</li> </ul>	
CONSTRUCTION	Back frame of steel tube diameter 16 mm, covered with mesh or fabric. Seat frame made of plywood with cold foam padding. Cast recycled aluminum mechanism. Height-adjustable steel gas column. 5-star swivel base made of recycled aluminum with castors, alternatively black plastic gliders.	
DIMENSIONS	Height: 940-1050 mm Depth: 650 mm Sit depth: 450 mm Base diameter: 630 mm	Width: 640 mm Seat height (with load): 410-520 mm Total height armrest: 660-770 mm
WEIGHT	8.9 kg	
TESTED	EN 16139, EN 1728, EN 1022	
GUARANTEE	10 years	


# Savo Invite

BLACK DESIGN, HIGH

Invite high chair is a mix between office chair and meeting chair. The unique tilting function on Invite provides comfortable lumbar support. This is a multi-faceted chair that can be used both as a meeting chair and as a work chair. Invite is a comfortable chair that exudes premium and style.



MODEL	Invite high chair	
ACCESSORIES	<ul style="list-style-type: none"> <li>- Armrests</li> <li>- Castors</li> </ul>	
CONSTRUCTION	Back frame of steel tube diameter 16 mm, covered with mesh or fabric. Seat frame made of plywood with cold foam padding. Cast recycled aluminum mechanism. Height-adjustable steel gas column. 5-star swivel base made of recycled aluminum with castors, alternatively black plastic gliders.	
DIMENSIONS	Height: 1140-1350 mm Depth: 650 mm Sit depth: 450 mm Base diameter: 630 mm	Width: 640 mm Seat height (with load): 610-820 mm Total height armrest: 860-1070 mm
WEIGHT	10.7 kg	
TESTED	EN 16139, EN 1728, EN 1022	
GUARANTEE	10 years	

A woman with her hair in a ponytail, wearing a black blazer over a light blue shirt and black trousers, is seated in a modern office chair with a red seat and chrome base. She is smiling and reading a book. The office environment is bright and modern, with white desks, a red storage box, and large windows in the background.

The way we work is changing. And as new generations move into the workplace, things will change even faster.

You'll do your own work at a desk occasionally shared with others, or from home. More and more, the office will become a place for meetings.

# lean back and enjoy the difference

As meeting areas become workplaces, it's more important than ever that meeting seating provides good sitting comfort. Invite has been developed with exactly that in mind. It's based on our philosophy for office seating, where ergonomics are just one of several factors. Our guiding principle is the total experience.

Have a seat on an Invite. Now lean back, and you'll understand what we mean.



# one for all, all for one

---

When we develop seating for large or small scale meetings, our aims are the same as for any workplace. That means creating a chair that is really comfortable for backs, shoulders and necks, as well as pleasing to the eye. While an office chair is usually adapted to suit a single user, meeting seating has to suit many users without having to adjust anything but the height.

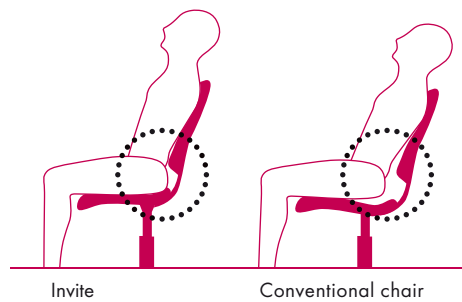
That's how Invite works.





Invite has a unique function that supports the small of your back even when you lean backwards.

When pressure is applied to the backrest, it slides down and along a track. As the point of rotation is at hip height, the movement feels natural and gives the same support no matter how tall you are.



# a chair with many expressions

Invite is designed by Jurek Buchacz, the man behind the XO chair which was honoured with the Good Design Award from the Norwegian Design Council in 2007. Yet again, Jurek unites form and function in his own brilliant fashion. The backrest is a superb example, with its unusual shape offering unique lumbar support.

Savo Invite

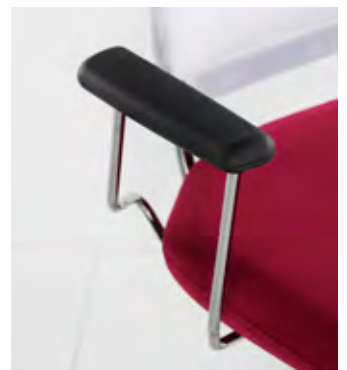


Invite high




Invite is available with a polished or black base on glides, or castors for soft and hard floors. With or without armrests. There's a single lever for height adjustment.

The chair is also available in a higher model. It features glides and may be equipped with a footrest.





A close-up photograph of a modern chair. The backrest is covered in a white, fine-mesh fabric that is stretched over a curved metal frame. Below the backrest, a portion of the seat is visible, upholstered in a rich, textured red fabric. The background is a plain, light-colored surface, possibly a wall or a backdrop, which emphasizes the chair's design and materials.

The backrest is available in black or white mesh as standard. The seat is available in fabric or leather.



[www.savvo.com](http://www.savvo.com)