



TILLER SLIM

COLLECTION

TILLER SLIM combines considered aesthetics with practical use. Defined by slender yet sturdy metal frames, each piece is expertly crafted to seamlessly conceal any connections. Its ergonomic shell is custom moulded to provide superior comfort and support, with legs of commercial grade steel encouraging unfussy interaction in high traffic environments. This is a collection that intentionally sets itself apart from the shortcomings of mass production.

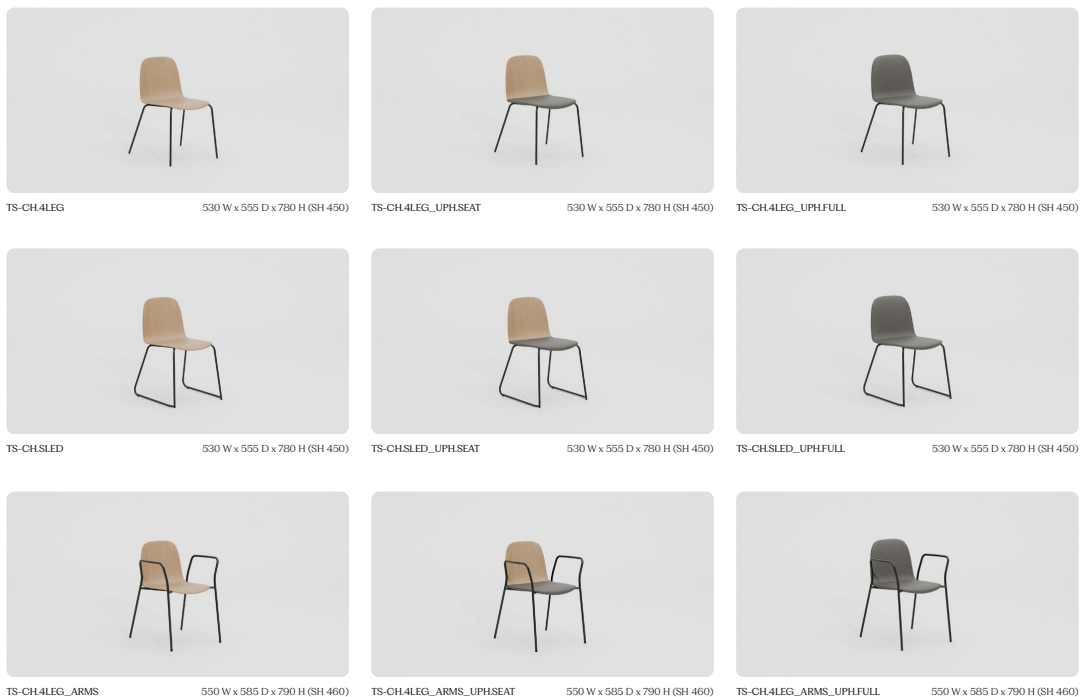
And once the meeting's over, each TILLER SLIM stacks easily across the range — chairs on chairs, stools on stools, and chairs on stools, and so on - without compromising the

foam or leaving nasty indentations on the chair below. How do we do that? By designing robust frames and wide felt padding that spreads the weight of the chair when stacked. Even when over-stacked for weight, the framing has been carefully considered so as to leave a characteristic imprint in the upholstered TILLER SLIM below.

With a broad range of customisation in shells, upholstery, frame models and colours, the TILLER SLIM seating range supports fully flexible and utilitarian design, making it our most versatile chair collection.

<p>MATERIALS</p> <p>American Oak moulded seating shells. Steel fabricated frames. Powder coat finished to colour. Nylon glides. Optional upholstery in fabrics or leathers.</p>	<p>FINISHES</p> <p>Black, white or grey silver frames. Other colours by request. Natural, white or black painted shells as standard. 100% wool crepe fabric as standard. Optional painted, stained or upholstered shells to specification.</p>	<p>FEATURES</p> <p>Each chair stacks easily with all models in the collection. Strong & durable construction with no exposed screws or bolts. Contour shaped for superior ergonomic comfort.</p>	<p>WARRANTY</p> <p>Five year manufacturing warranty covering defective craftsmanship that is subject to normal use. Please contact Didier for full terms and conditions.</p>
--	---	---	---

TILLER Slim Range : Chairs



TS-CH4LEG	530 W x 555 D x 780 H (SH 450)	TS-CH4LEG UphSEAT	530 W x 555 D x 780 H (SH 450)	TS-CH4LEG UphFULL	530 W x 555 D x 780 H (SH 450)
TS-CHSLED	530 W x 555 D x 780 H (SH 450)	TS-CHSLED UphSEAT	530 W x 555 D x 780 H (SH 450)	TS-CHSLED UphFULL	530 W x 555 D x 780 H (SH 450)
TS-CH4LEG_ARMs	550 W x 585 D x 790 H (SH 460)	TS-CH4LEG_ARMs UphSEAT	550 W x 585 D x 790 H (SH 460)	TS-CH4LEG_ARMs UphFULL	550 W x 585 D x 790 H (SH 460)

TILLER Slim Range : Studio task chair



TS-CHTASK_UPHSEAT 660 W x 640 D x 770-900 H (SH 440-570)



TS-CHTASK_UPHFULL 660 W x 640 D x 770-900 H (SH 440-570)

TILLER Slim Range : Stools



TS-ST.4LEG(65) 570 W x 570 D x 980 H (SH 650)



TS-ST.4LEG_UPHSEAT(65) 570 W x 570 D x 980 H (SH 650)



TS-ST.4LEG_UPHFULL(65) 570 W x 570 D x 980 H (SH 650)



TS-ST.4LEG(75) 570 W x 570 D x 1080 H (SH 750)



TS-ST.4LEG_UPHSEAT(75) 570 W x 570 D x 1080 H (SH 750)



TS-ST.4LEG_UPHFULL(75) 570 W x 570 D x 1080 H (SH 750)



TS-ST.SLED(65) 570 W x 570 D x 980 H (SH 650)



TS-ST.SLED_UPHSEAT(65) 570 W x 570 D x 980 H (SH 650)



TS-ST.SLED_UPHFULL(65) 570 W x 570 D x 980 H (SH 650)



TS-ST.SLED(75) 570 W x 570 D x 1080 H (SH 750)



TS-ST.SLED_UPHSEAT(75) 570 W x 570 D x 1080 H (SH 750)



TS-ST.SLED_UPHFULL(75) 570 W x 570 D x 1080 H (SH 750)

CARE INSTRUCTIONS:

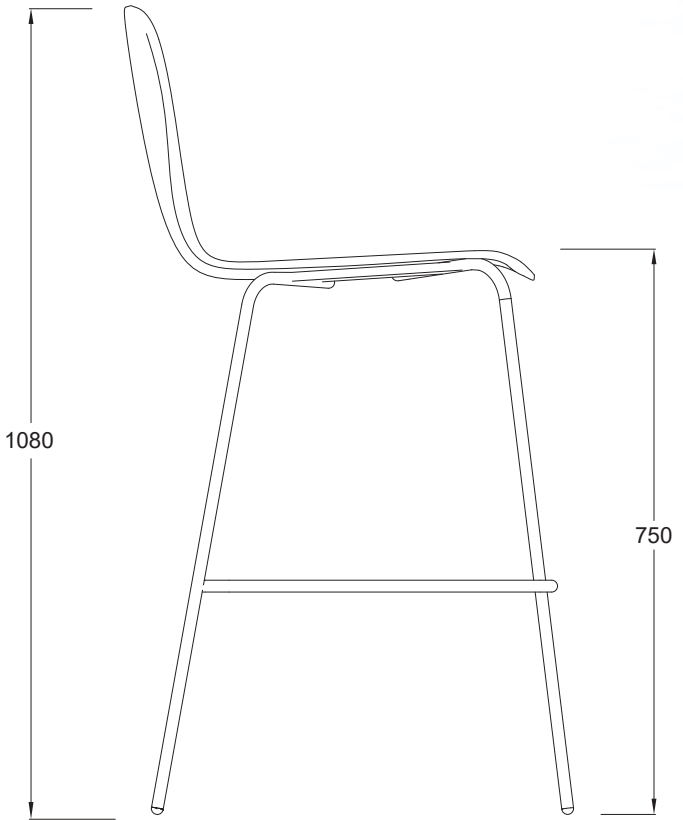
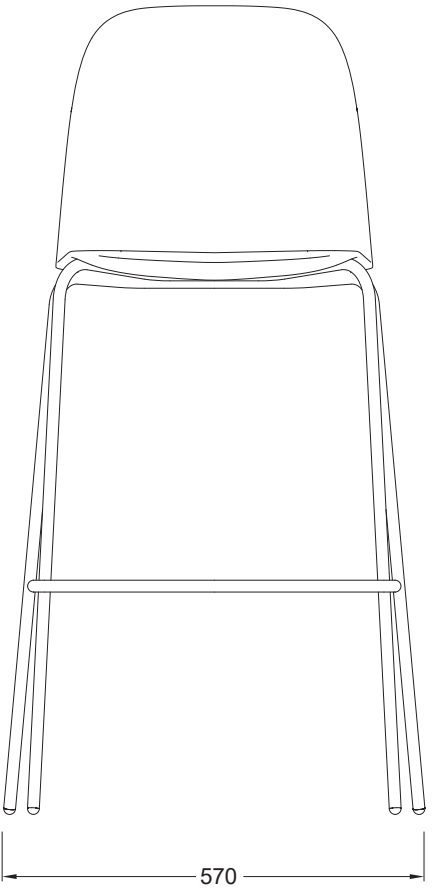
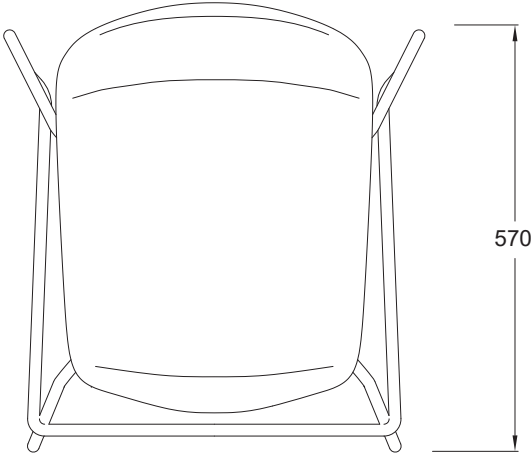
- Dust and wipe with a soft, damp cloth.
- Vacuum fabrics regularly.
- Fabric and leather companies have their own 'care and maintenance' instructions for each product.
- Didier recommends always reading the label of any cleaning products and not using cleaning agents containing abrasives or solvents.

ENVIRONMENTAL STATEMENT:

At Didier, we believe good design should enhance life without costing the earth. Our work is rooted in responsibility - sourcing sustainable materials, minimising waste in production and collaborating closely with skilled makers, prioritising ethical supply chains. We design for longevity, creating enduring pieces that stand the test of time. To us, sustainability is not a trend, but a guiding principle, that is woven into every stage of our artistic process and every original idea we bring to life.

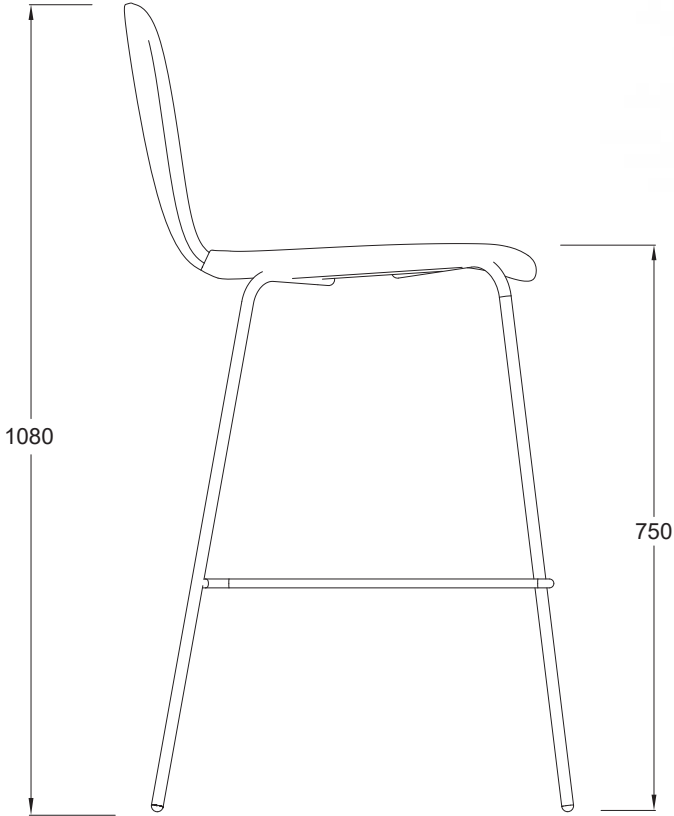
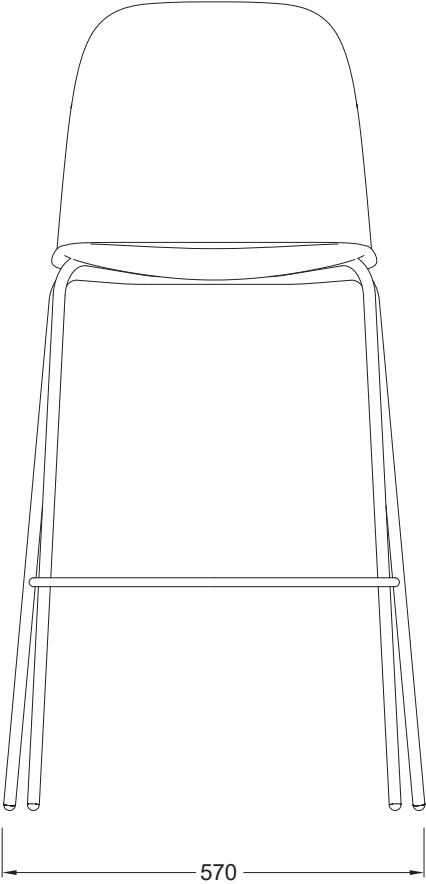
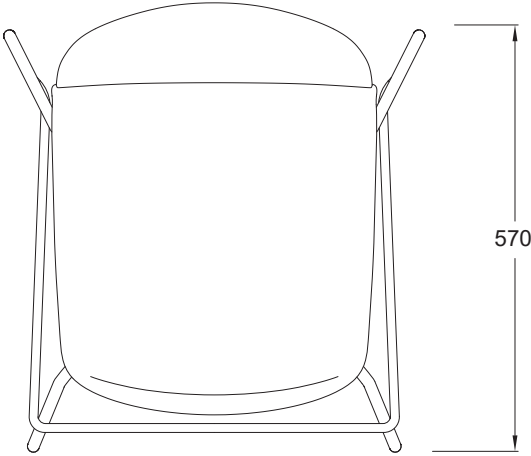
TILLER-SLIM FOUR LEG STOOL

TS-ST.4LEG[75]



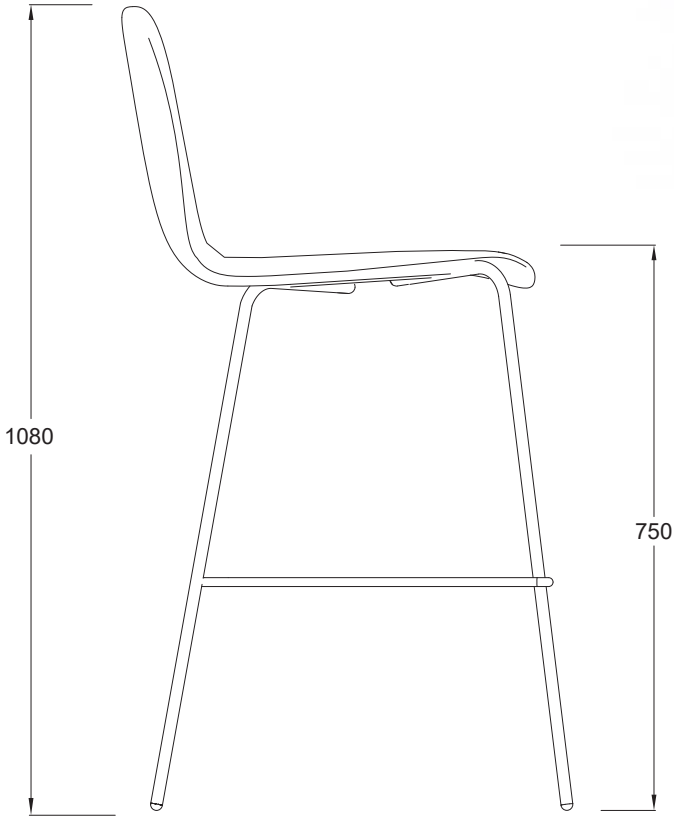
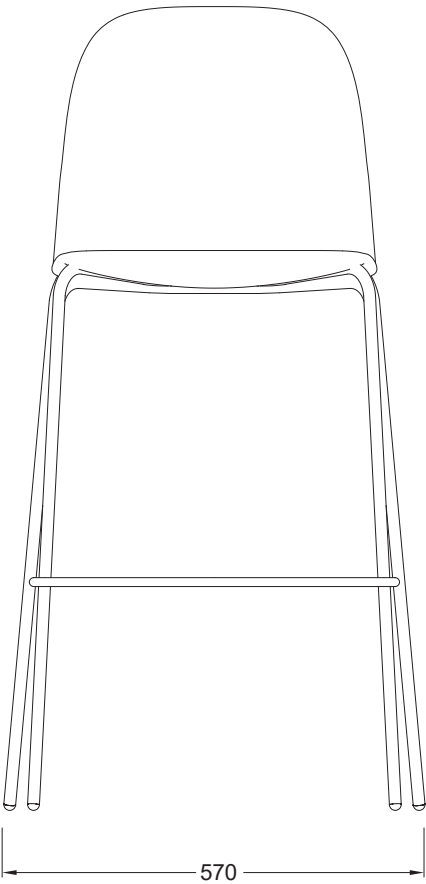
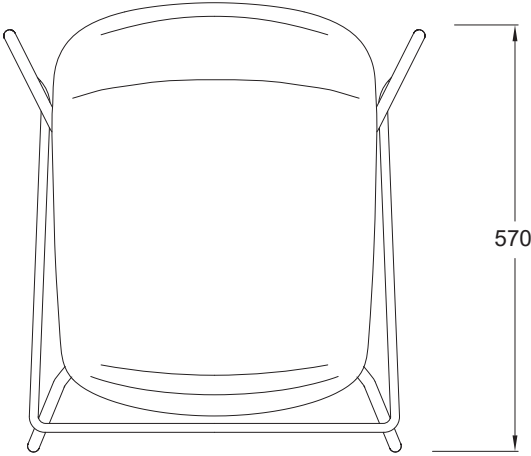
TILLER-SLIM FOUR LEG STOOL

TS-ST.4LEG_UPH.SEAT[75]



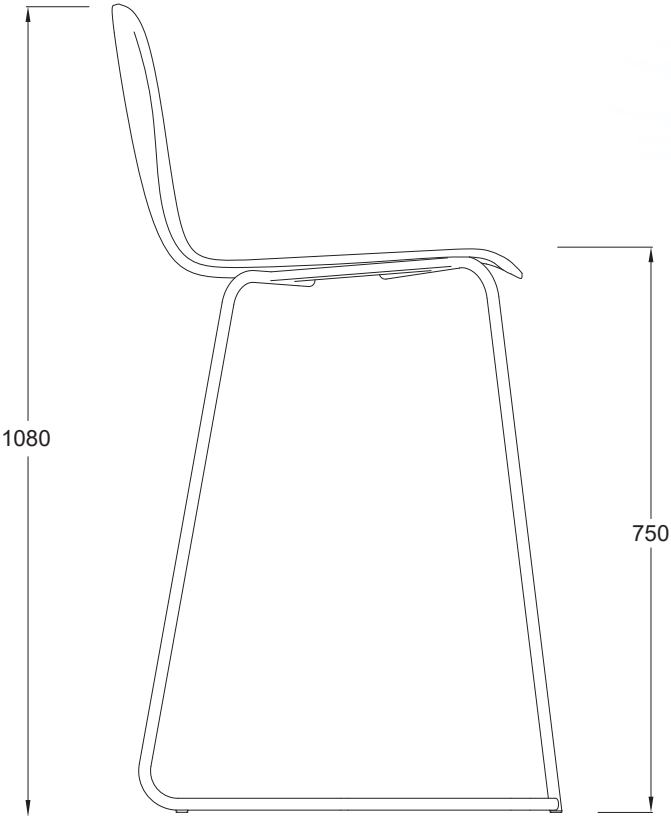
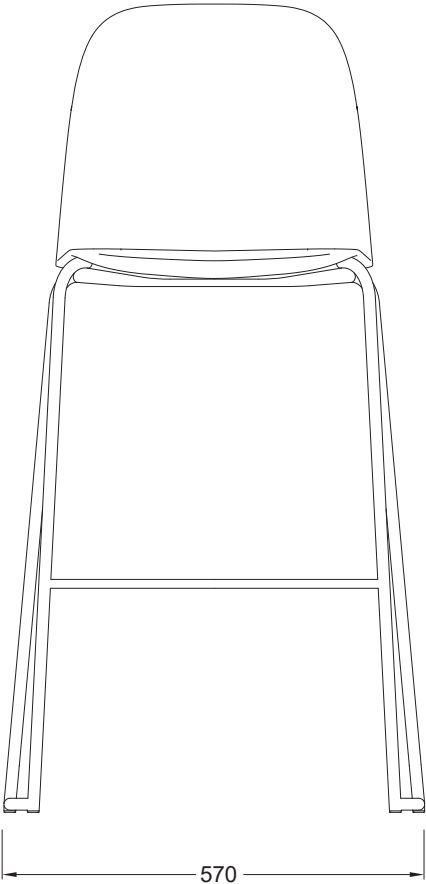
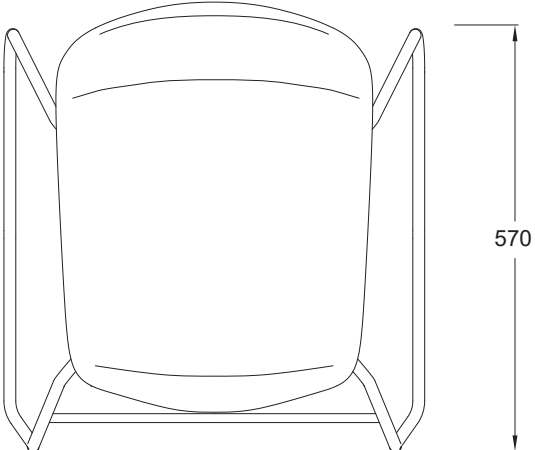
TILLER-SLIM FOUR LEG STOOL

TS-ST.4LEG_UPH.FULL[75]



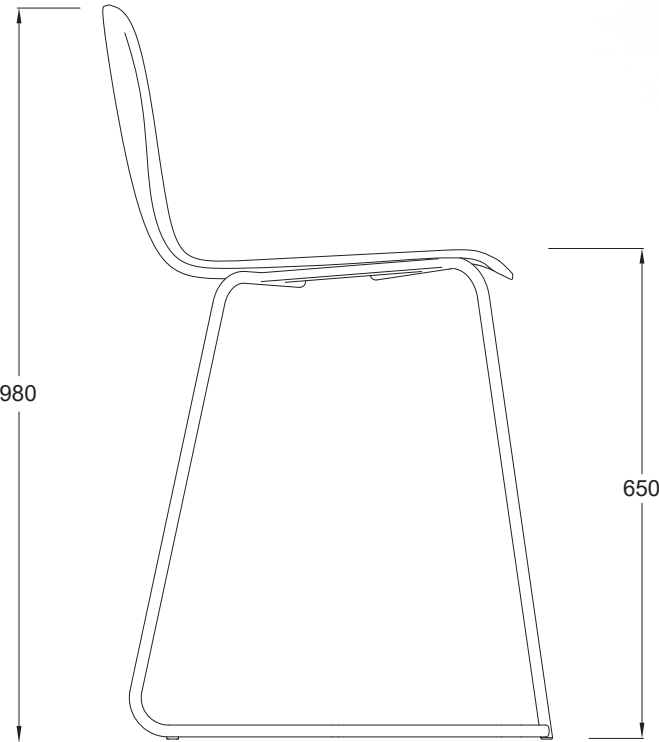
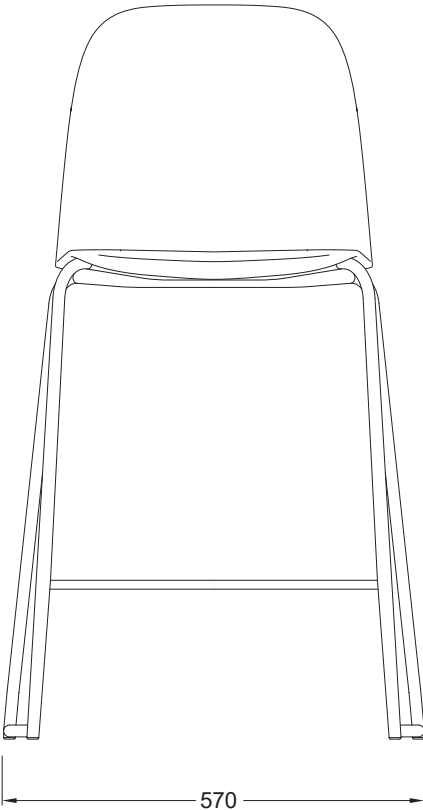
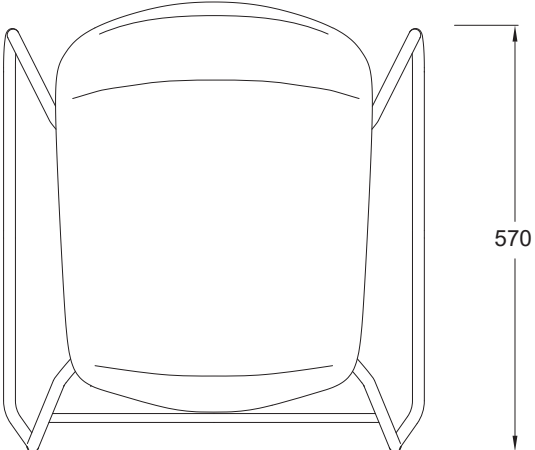
TILLER-SLIM SLED STOOL

TS-ST.SLED[75]



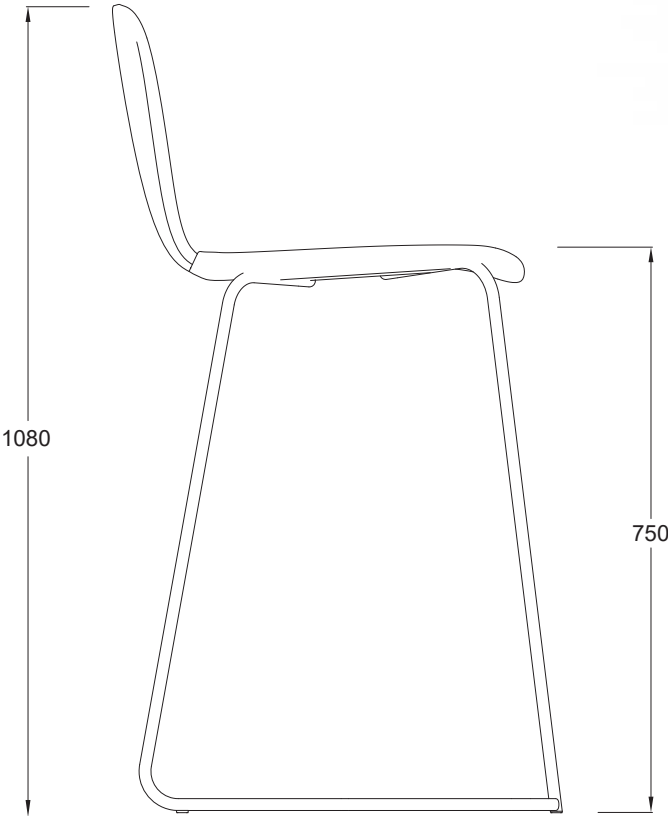
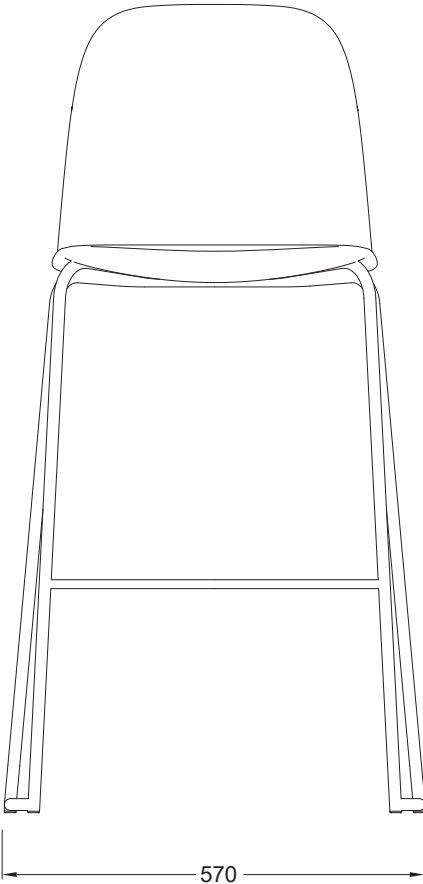
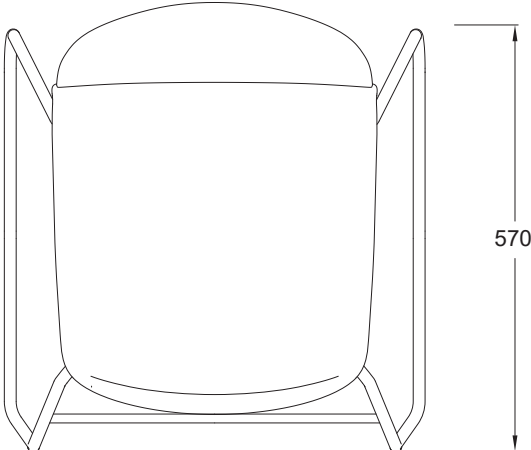
TILLER-SLIM SLED STOOL

TS-ST.SLED[65]



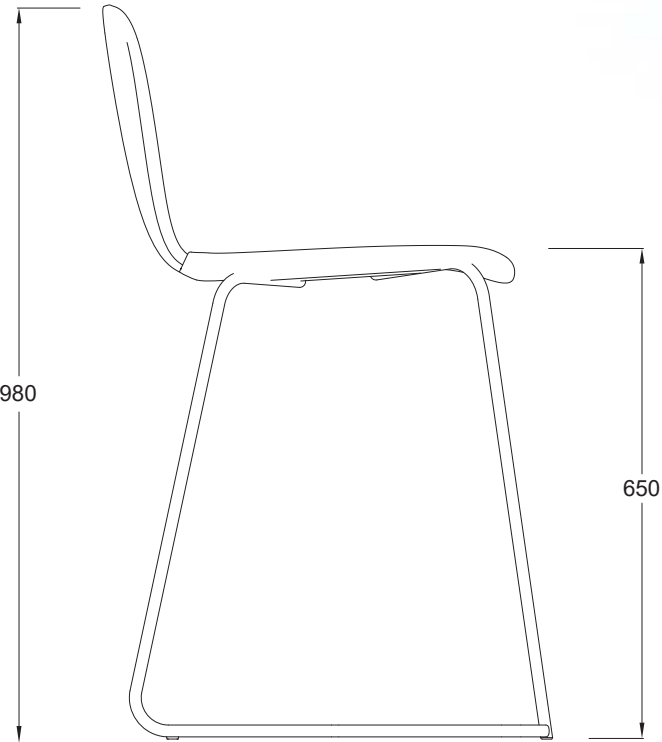
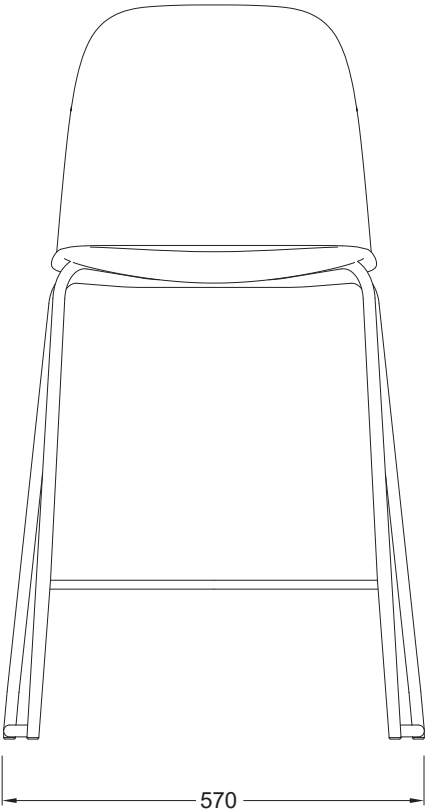
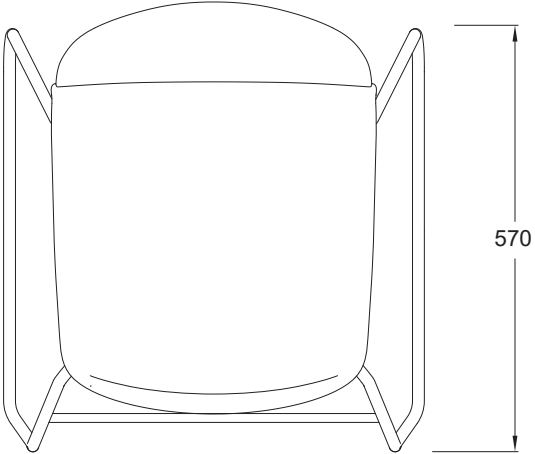
TILLER-SLIM SLED STOOL

TS-ST.SLED_UPH.SEAT[75]



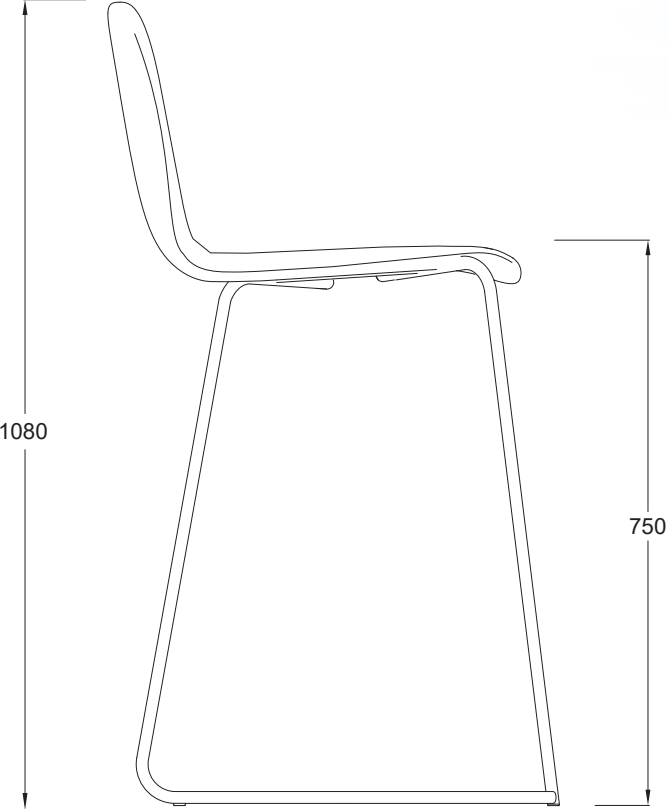
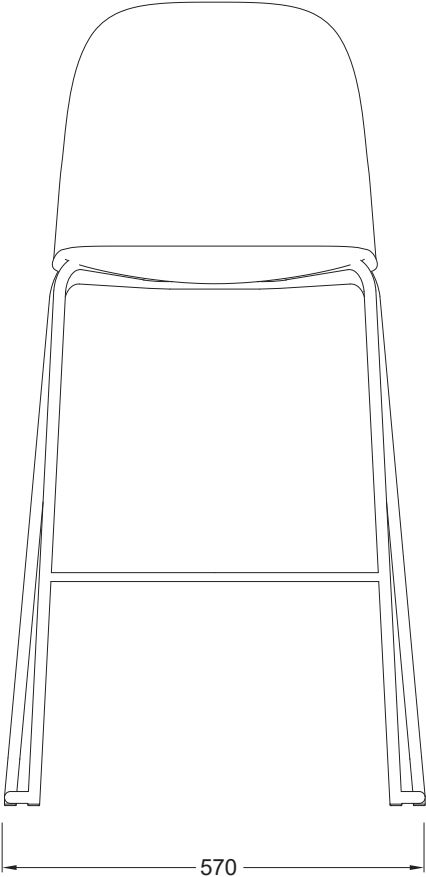
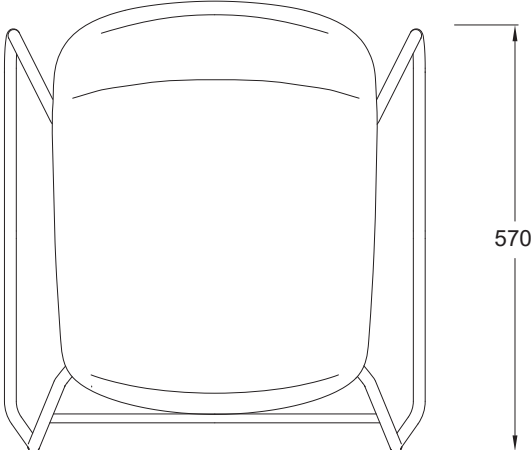
TILLER-SLIM SLED STOOL

TS-ST.SLED_UPH.SEAT[65]



TILLER-SLIM SLED STOOL

TS-ST.SLED_UPH.FULL[75]



TILLER-SLIM SLED STOOL

TS-ST.SLED_UPH.FULL[65]

