



## Produktfakta

- Sits och rygg i skiktlimmat och formpressat trä
- Sits oklädd (ZOE10) eller klädd (ZOE11) (tyger se EFG:s tygsortiment)
- Klädd sits har stoppning av höglastiskt polyuretanskum (HR-skum).
- Ben och sarger i massivt trä
- Material: ask vit 2%, ek natur (E5), svartbetsad ask (AS)
- Stapelbar, 6 st.
- Tillval: Fotavslutning med filtsula för hårda golv, förmonterade (P50A11)
- Hållbarhet: Trästol med förnybart material som har låg klimatpåverkan. Trä från ansvarsfullt certifierat skogsbruk. Vattenbaserade limmer och lacker. Vid renovering kan sitsplattan enkelt bytas. Ingående material uppfyller vedertagna branschnormer och miljökrav
- Möbelfaktamärkta utföranden tillgängliga
- Svanenmärkta utföranden tillgängliga
- Kvalitetstestad enligt: EN 16139 nivå 1, EN 1728 och EN 1022

## Måttuppgifter (mm)

Art.Nr	Totalhöjd	Sitthöjd	Totalhöjd armstöd	Totalbredd	Totaldjup	Vikt (kg)
ZOE10	810	435	-	510	510	3,6
ZOE11	810	435	-	510	510	3,9

EFG015915



EFG015912



EFG015917



ZOE11 (A2)

EFG015909



ZOE11 (AS)

EFG015906



ZOE11 (E5)

EFG015911



ZOE10 (A2)

ZOE10 (AS)

ZOE10 (E5)



"The chair balances between the strict and the organic" – Jonas Forsman



“Wood simply becomes more beautiful over time” – Jonas Forsman







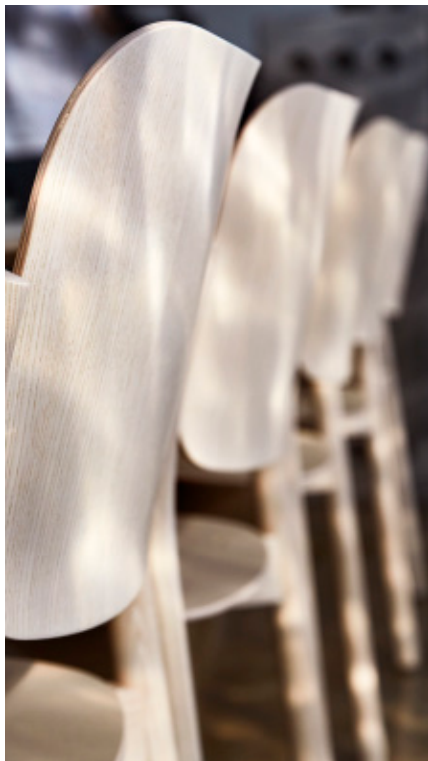
## Playful by nature

Zoe is a slim, light, wooden chair that balances between the strict and the organic. The design is playful, yet thoroughly worked through from the inside out, and down to the tiniest detail. The result is a versatile chair that's as comfortable to sit in as it's gorgeous to look at.

With its pared-down Nordic design, and moulded, wafer-thin wood, Zoe brings a unique presence to any space. After all, Zoe means "life". What else could we call a chair that livens up every room?









## My design must save resources

*Jonas Forsman, designer of Zoe*

"I want to create streamlined design solutions that focus on comfort and practicality. I research the user, the manufacturing process, costs and functionality to create the product's core concept. The rest is about creating a look that does it justice. Saving resources is an inherent part of my design process. Moulding the Zoe shell to make it as thin as possible means both that we can use less material, while the thin dimensions give the design a natural flexibility in both the seat and backrest. The surfaces are modelled on the human body, giving the freedom to move while seated. Last but not least, wooden chairs grow more beautiful over time, which makes Zoe's design even more sustainable."

*Jonas Forsman is a furniture and product designer. He studied industrial design engineering at Chalmers University of Technology and has had a studio in Gothenburg since 2006. Jonas has won several prizes in the international Red Dot Design Award and the Swedish Design Awards. He previously designed EFG's Create storage system, the Create Seating module and our Navi table.*





## Wood, fabric and leather

Zoe chairs can work as practical, elegant interior design details, or why not fill a whole room with them. Oak is both raw and warm at the same time, with a distinctive surface, while white-stained ash adds natural light. Black-stained

ash creates contrast, making the chair stand out.

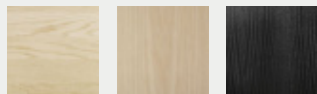
Zoe also comes with an upholstered seat which makes it even more comfortable and that works perfectly in learning spaces.

Zoe is stackable, which is a plus in spaces where seating needs to be rearranged. It is also easy to move, making it a welcome addition to the dynamic workplace.

### Wood fabric and leather

Choose seat shell in oak or ash and upholstery from our wide range of textiles. Here's just a sample of our range of fabric and leather. See all available options at [efg.info](http://efg.info)

Material options – wood



E5

Natural oak

A2

Ash white 2%

AS

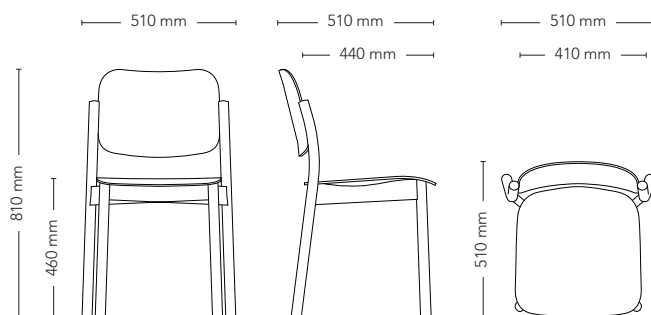
Black-stained ash

Material options – upholstered seat

Our range of fabrics and leather can be found on the EFG website.

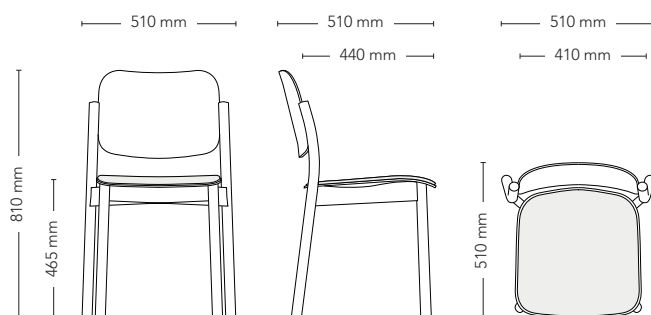
## Dimensions

Article no. ZOE10



## Dimensions, with upholstered seat

Article no. ZOE 11

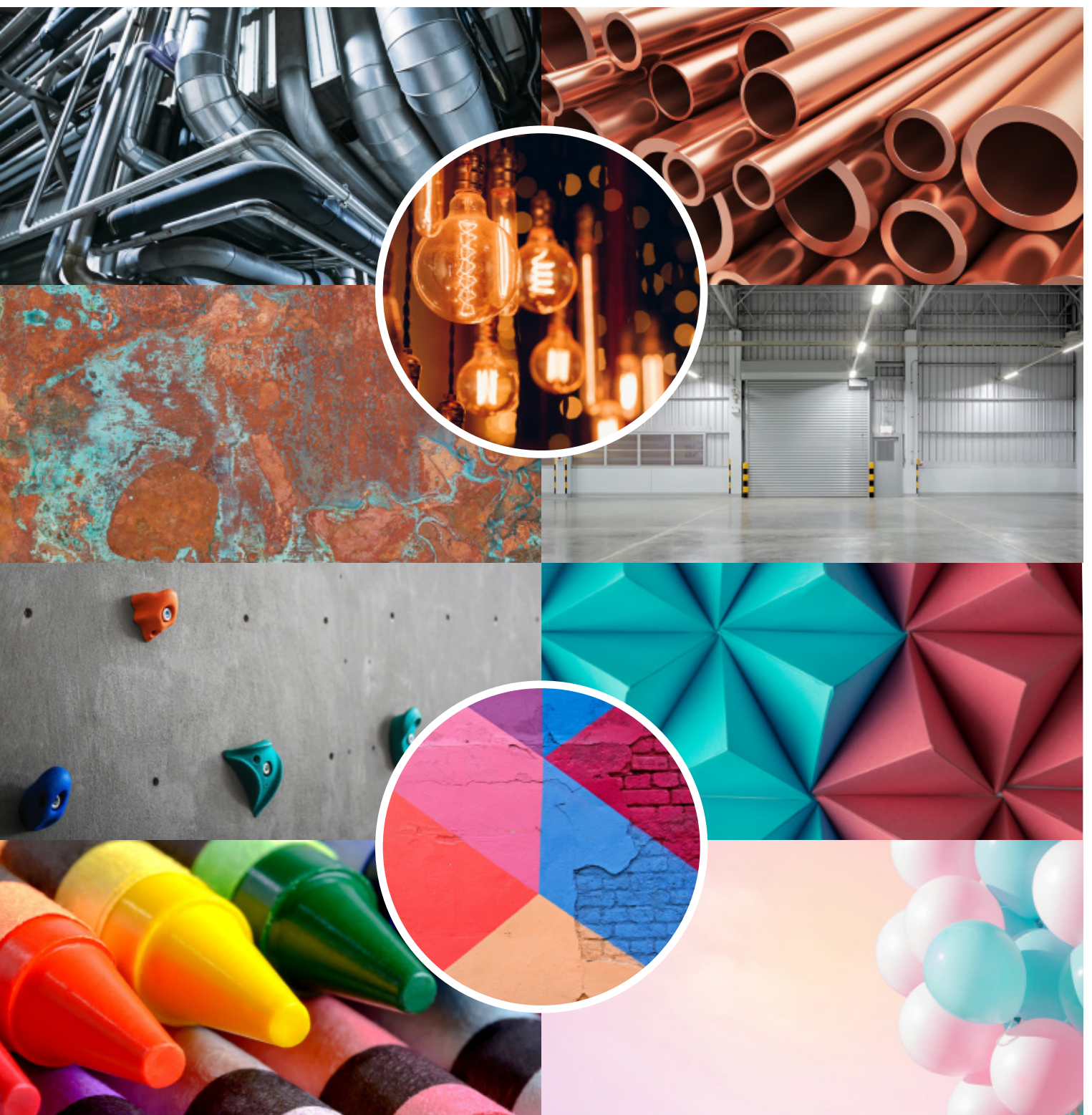




## Space for thinking, big or small

Nordic, natural, colourful, industrial or your own unique combination? Colours, shapes, textures and materials help you create the perfect atmosphere.





## A sustainable chair in more ways than one

Zoe's living material and functional design means this chair has a lower carbon footprint than many similar chairs. Zoe has the Nordic Swan Ecolabel and some versions are Möbelfakta approved. The chair is made from FSC®-certified wood, which means it is manufactured responsibly, respecting the forest and social issues. Besides wood, the chair is made from water-based adhesives and lacquer, putting the environment first.

Zoe is not only sustainable in materials and manufacturing. It is designed to stand the test of time, giving the product a longer life.

At EFG we are constantly striving to minimise our environmental footprint and to use energy and resources as efficiently as possible. We set high standards for ourselves and our suppliers when it comes to the environment and working conditions.

We take care in choosing materials that fulfil current ecolabelling criteria. We have ambitious environmental objectives and constantly monitor them to improve our processes. Read more about EFG's work on sustainability in our sustainability report.



**e|F|G**